

All products are trademarks of Nostalgia Products LLC.
Worldwide design & utility patented or patents pending.
© 2021 Nostalgia Products LLC.

www.nostalgiaproducts.com

(rev. 09/30/21 YD)



TCTEQM8RD

8-Inch Electric Quesadilla Maker **Máquina Eléctrica para hacer Quesadilla** **Appareil pour Quesadillas Électrique**

Instructions and Recipes
Instrucciones y Recetas
Instructions et recettes

Make every day a party!
 Visit www.nostalgiaproducts.com for more fun products.

CONTENTS

SAFETY 2

IMPORTANT SAFEGUARDS 3

ADDITIONAL IMPORTANT SAFEGUARDS 3

INTRODUCTION 4

PARTS & ASSEMBLY 5

HOW TO OPERATE 5

HELPFUL TIPS 7

CLEANING & MAINTENANCE 8

RECIPES 9

RETURNS & WARRANTY 12

SAFETY

Your safety and the safety of others is very important.

We have provided many important safety messages in this manual and on your appliance. Always read and obey all safety messages.



This is the safety alert symbol.

This symbol alerts you to potential hazards that can cause serious injury to you and others.

All safety messages will follow the safety alert symbol.

All safety messages will tell you what the potential hazard is, tell you how to reduce the chance of injury, and tell you what can happen if the instructions are not followed.

Appliance Specifications:
 120 Volts , 60 Hz, 900 Watts



THIS PRODUCT IS FOR USE IN 120V AC OUTLET ONLY.

Refer to www.nostalgiaproducts.com/user-manuals/ for the most updated manual.



IMPORTANT SAFEGUARDS

A person who has not read and understood all operating and safety instructions is not qualified to operate this appliance. All users of this appliance must read and understand this Instruction Manual before operating or cleaning this appliance.

When using electrical appliances, basic safety precautions should always be followed, including:

1. **Read all instructions before operating this appliance.**
2. DO NOT TOUCH the hot surfaces. Use handles or knobs.
3. This appliance is NOT A TOY.
4. Keep out of reach of children.
5. Unsupervised young children and cognitively challenged individuals should never operate this appliance.
6. Close supervision is necessary when any appliance is used by or near children.
7. To protect against electrical shock do not immerse cord, plug or any part of this unit in water or other liquids.
8. Do not operate this appliance when parts are missing or broken.
9. Unplug from outlet when not in use, before removing parts and before cleaning. Allow to cool before putting on or taking off any parts, and before cleaning.
10. DO NOT operate any appliance with a damaged cord or plug, or after the appliance malfunctions, or if the appliance has been damaged in any manner. Return the appliance to the nearest repair shop for examination, repair or adjustment.
11. The manufacturer does not recommend the use of accessory attachments other than what is provided by the manufacturer. Use of attachments may cause injuries.
12. DO NOT use the appliance for other than its intended use.
13. DO NOT use outdoors. FOR HOUSEHOLD USE ONLY. Intended for countertop use only.
14. DO NOT place on or near a hot gas or electric burner, or in a heated oven.
15. DO NOT put any parts of this appliance in dishwasher.
16. DO NOT let cord hang over edge of table or counter, or touch hot surfaces.
17. NEVER leave unit unattended while in use or when plugged into an outlet.
18. To disconnect, turn any control to "off," then remove plug from wall outlet.



ADDITIONAL IMPORTANT SAFEGUARDS

Operating Safety Precautions

1. Extreme caution must be used when opening and closing the Lid on this unit. Use an oven mitt or potholder when opening and closing the Lid for additional safety.
2. Check the Drip Tray frequently during cooking sessions to prevent overflow.
3. The use of metal items, such as spatulas, is not recommended with this unit as they may damage the non-stick cooking surface.
4. DO NOT store any objects in the appliance, such as cardboard, plastic, paper, etc.
5. DO NOT cover any part of the appliance with metal foil.

Instructions for the Electrical Cord and Plug

1. This appliance has a polarized plug (one blade is wider than the other). To reduce the risk of electrical shock, this plug is intended to fit into a polarized outlet only one way. **If the plug does not fit fully into the outlet, reverse the plug. If it still does not fit, contact a qualified electrician. Do not attempt to modify the plug in any way.**
2. A short power supply cord is provided to reduce the risk resulting from becoming entangled or tripping over a long cord.
3. If a long detachable power-supply cord or extension cord is used:
 - Extension cords can be used if care is exercised in their use.
 - The marked electrical rating of the cord or extension cord should be at least as great as the electrical rating of the appliance.
 - When using a longer cord or extension cord, make sure that the cord does not drape over a countertop or tabletop where it can be pulled on or tripped over unintentionally.

The manufacturer does not recommend using this machine in countries that do not support 120V AC even if a voltage adapter, transformer, or converter is in use.

SAVE THESE INSTRUCTIONS!

INTRODUCTION

Thank you for purchasing the ELECTRIC QUESADILLA MAKER!

We are confident that you, your family and friends will enjoy the fun food experience of creating unique and delicious quesadillas with your ELECTRIC QUESADILLA MAKER.

- Use a variety of meats, cheeses and vegetables in your quesadillas
- Quesadillas bake crispy on the outside and hot & juicy on the inside, not soft and soggy like those made in the microwave
- Unique plate design has pockets that create sectional pieces to seal in the flavorful ingredients
- Red Power Light (on/off) and Green Ready Light
- Non-stick coating
- Removable Drip Tray
- Stand on edge storage
- Recipes (included)
- Cook time is only 3-7 minutes
- Easy to use, easy to clean

PARTS & ASSEMBLY



Locking Lid

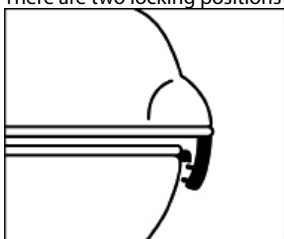
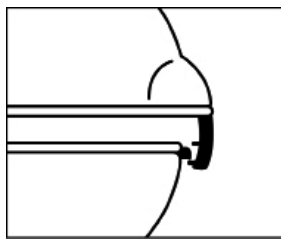
Non-stick Cooking Surface

Drip Tray

HOW TO OPERATE

1. Before first use, wipe down all surfaces with a damp cloth and dry.
2. The Cooking Surface should be lightly coated with a small amount of vegetable oil. This can be applied with a paper towel, or use a non-stick oil spray. The oil will help protect the Non-stick Cooking Surface. This should be done periodically to maintain the non-stick quality.
3. Find a dry, suitable, level surface near an electrical outlet.
4. Preheat the appliance by closing the Lid and plugging into an electrical outlet.
5. When the power is on, the Red Power Light will come on. The Green Ready Light will stay off while the appliance is preheating.
6. While the appliance is preheating, you may prepare the ingredients for your homemade quesadilla.
7. When the appliance is hot and ready to cook your quesadilla, the Green Ready Light will come on.
8. REMINDER: NEVER leave the appliance unattended.

9. The appliance should preheat for a minimum of 3-7 minutes. During this time, you may notice slight smoking or a slight odor; this is normal with most new appliances. The smoking and odor is caused by the residues burning off the Cooking Surface and the Heating Element. Allow the appliance to preheat until smoke and odor no longer exists. The Green Ready Light will turn on when the appliance is ready to cook.
10. Slide the Drip Tray under the front of the appliance.
11. Raise the quesadilla maker Lid, always using the front Handle to prevent accidental burns. For additional safety use an oven mitt or a pot holder to open the Lid.
12. Place a tortilla, centered, on the lower Cooking Surface.
13. Add desired ingredients evenly on top of the bottom tortilla. When all ingredients have been added, top with the second tortilla.
14. Close the Lid using a pot holder or oven mitt.
15. Lock the Lid after lowering.
16. There are two locking positions for the Lid:

**POSITION 1****POSITION 2**

17. Lock Lid in Position 1 for thinner quesadillas. Lock Lid in Position 2 for more thickly stuffed quesadillas.
18. DO NOT force the Lid to lock.
19. Steam may be released from appliance during cooking. For your safety, avoid contact with steam, as it is very hot and can cause burns.
20. The cooking time will range between 3-7 minutes, depending on the type of fillings, the amount of fillings and personal taste. DO NOT overcook! This will cause the cheese and other food fillings used to melt excessively and run out of tortillas.
21. Once the quesadilla has completed cooking, raise the Lid with a pot holder or oven mitt. Remove the quesadilla from the Cooking Surface with a flat plastic or wooden utensil. DO NOT use metal utensils, as they may scratch and damage the Non-stick Cooking Surface.
22. If cooking more than one quesadilla in a session, after removal of the first quesadilla, lower the Lid to maintain heat until ready to cook the next quesadilla.
23. After unplugging the appliance, make sure the Red Power Light is off to prevent any sparking from the outlet.
24. Once the appliance is cool, remove the Drip Tray to empty and clean.

HELPFUL TIPS

NEVER leave the unit unattended while operating.

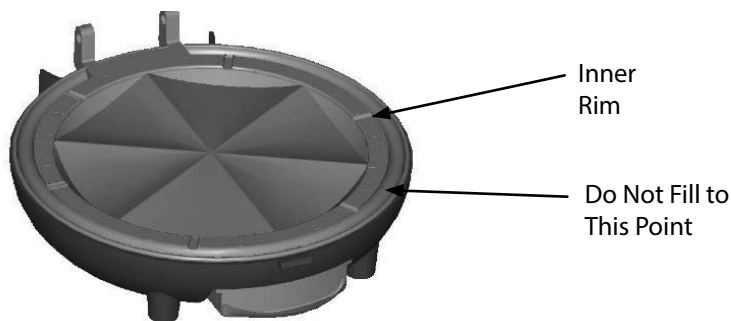
1. Tortillas are recommended for use in your ELECTRIC QUESADILLA MAKER. Make sure they are fresh tortillas, not old nor stale.
2. Make sure fillings are evenly distributed on the bottom tortilla to about ½ inch from the edge, so that the edges of the tortilla can seal together and ingredients stay inside of tortillas.
3. Use soft ingredients: shredded cheeses, prepared salsa, and thinly cut or shredded cooked meat, chicken and vegetables. Never use anything with bones or pits included, nor anything uncooked such as raw meats, chicken, etc.
4. Avoid processed cheeses as they liquefy quickly and will drain out of the quesadilla.
5. Do not use more than ¼ cup of shredded cheese or ½ cup of salsa, as they will leak out while cooking your quesadilla.
6. The average time for cooking a quesadilla, if not overfilled, is 3-7 minutes.
7. Crisping of the tortilla occurs while cooking. Therefore, less time cooked = less crisping.
8. Longer cooking will create a crispier quesadilla. DO NOT overcook quesadilla.
9. NEVER force the Lid to lock, this could result in damage to the hinge of the Lid.
10. Always have the Drip Tray in place when cooking a quesadilla. Check the Drip Tray frequently during cooking sessions to prevent overflow.
11. Should melting occur that causes leakage of the tortillas, gently wipe up melted cheese, etc. from the Non-stick Cooking Surface before cooking the next quesadilla. This will prevent burning or scorching of previously melted cheeses, etc.
12. You can reheat previously cooked quesadillas by placing the quesadilla on the preheated unit, lining up the grill marks on the quesadilla with the Plate Pockets, lowering the Lid, and reheating for 1-3 minutes.
13. Always allow the appliance to cool before removing the Drip Tray and wiping out the interior for cleaning.
14. Your quesadilla has been over-filled if it looks like this:



No Indentation
From Plate
Pockets

Tortillas Do
Not Seal

15. To prevent over-filling, make sure that you do not fill tortilla on lower plate past the inner rim:



16. Also, make sure that Lid is locked in correct position (see How To Operate) to ensure that tortillas seal properly.

CLEANING & MAINTENANCE

Please take care of your ELECTRIC QUESADILLA MAKER by following these simple instructions and precautions. Cleaning is a snap.

- Disconnect from the electrical outlet by unplugging the appliance.
- Make sure the appliance is cool before removing the Drip Tray.
- Empty the Drip Tray, then clean it in hot or warm, soapy water. Rinse and dry.
- Wipe the Non-stick Cooking Surface with a damp, non-abrasive cloth or paper towel and dry.
- Wipe the exterior with a damp, non-abrasive cloth and dry.

It is that simple. Remember to periodically coat the Cooking Surface with vegetable oil to preserve the non-stick finish. This also helps the crisping process.

RECIPES

With the ELECTRIC QUESADILLA MAKER, you can use your imagination and choose your favorite ingredients to create your very own homemade quesadilla.

You can even create two different types of quesadillas at the same time by adding your favorite ingredients to one half of a tortilla and folding it. Then add ingredients to one half of a second tortilla and fold it. Place the two halved tortillas on the Cooking Surface, filling out the space of one whole tortilla. Close the Lid and cook for 3 - 5 minutes. When done, separate the two halves and serve. Be creative and ENJOY your ELECTRIC QUESADILLA MAKER!

BASIC CHEESE QUESADILLA

- 2 Flour Tortillas Preheat the ELECTRIC QUESADILLA MAKER as directed.
- ¼ Cup finely shredded Cheese Place 1 tortilla on the lower Cooking Surface.
(Cheddar, Monterey Jack or your preference) Evenly distribute your choice of cheese(s) on tortilla (up to a ½ inch from the edge of the tortilla). Top with salsa, spreading evenly over cheese.
- ½ Cup prepared Salsa (Note: you may want to drain off some of liquid if runny) Add guacamole or avocado, if desired, by spreading evenly over cheese and salsa.

Top with the second tortilla.
- Guacamole or small chunks of Avocado (optional) Close the Lid and cook for 3-7 minutes, depending on desired crispness and thickness of fillings.

Open Lid with a pot holder or oven mitt.

Remove with wooden or plastic utensil. Place on plate and serve with additional salsa, if desired, and top with sour cream.

BREAKFAST QUESADILLA

- 2 Tortillas Preheat the ELECTRIC QUESADILLA MAKER as directed.
- ¼ Cup scrambled Eggs Place one tortilla on the lower Cooking Surface.

Spread scrambled eggs evenly to within ½ inch of the edge of the tortilla. Evenly distribute sausage bits. Spread salsa evenly, and top by sprinkling the Cheddar cheese evenly over all.
- ¼ Cup precooked and chopped Breakfast Sausage
- ¼ Cup Salsa Place the other tortilla on top and close the Lid. Cook as directed for 3-7 minutes. Open Lid with pot holder or oven mitt; serve with salsa or picante sauce.
- ¼ Cup finely shredded Cheddar Cheese

BASIC QUESADILLA PLUS

- 2 Flour Tortillas Preheat the ELECTRIC QUESADILLA MAKER as directed.
- ¼ Cup finely shredded Cheese (Cheddar, Monterey Jack or your preference) Place 1 tortilla on the lower Cooking Surface. Evenly distribute your choice of cheese(s) on the tortilla (up to a ½ inch from the edge of the tortilla).
Top with an evenly distributed amount of meat or chicken.
- ¼ Cup cooked Chicken, Beef or your favorite Meat torn into thin shreds or pieces. Evenly distribute guacamole or avocado, if desired, over cheese and salsa.
Top with second tortilla.
- ¼ Cup prepared Salsa Close the Lid and cook for 3-7 minutes, depending on desired crispness and thickness of fillings.
- Guacamole or small chunks of Avocado (optional) Open Lid with a pot holder or oven mitt.
Remove with wooden or plastic utensil. Place on plate and serve with additional prepared salsa, and sour cream.

VEGGIE QUESADILLA

- 2 Tortillas Preheat the ELECTRIC QUESADILLA MAKER as directed.
- ¼ to ½ Cup precooked or thawed frozen Bell Pepper, Onions or any combination of your favorite Vegetable Combine the vegetables and the seasonings in a bowl.
Place one tortilla on the lower Cooking Surface.
Evenly spread the combined vegetables and seasoning, up to a ½ inch from the edge of the tortilla.
- ½ Tsp. Mexican or Fajita seasonings Close the Lid and cook for 3-7 minutes depending on desired crispness and thickness of fillings.
- ¼ Cup shredded Cheddar Cheese and/or prepared Salsa Cut into triangles; serve with sour cream and salsa.

PB & J QUESADILLA

- 2 Tortillas
- 2 Tbsp. Peanut Butter
- 1-2 Tbsp. Jam or Fruit Preserves

Preheat the ELECTRIC QUESADILLA MAKER as directed.

Evenly spread a thick layer of peanut butter onto one tortilla and an even layer of your choice of either jam or fruit preserves onto the other tortilla.

Carefully place first tortilla on the lower cooking surface, peanut butter side up.

Place the other tortilla on top, jam side down.

Close the cover and cook for 3-7 minutes depending on the thickness, and preference of crispness desired. Cut into triangles; serve with a drizzle of honey for extra sweetness.

Feel free to add slices of fruit, such as bananas.

DELICIOUS DESSERT QUESADILLA

- 2 Tortillas
- 2 Tbsp. Hazelnut Spread
- ¼ Cup Bananas, thinly sliced
- ½ Cup Strawberries
- 1 Tsp. Powdered Sugar

Preheat the ELECTRIC QUESADILLA MAKER as directed.

Spread a thick layer of hazelnut spread onto one tortilla.

Carefully place tortilla with hazelnut spread onto the lower Cooking Surface, hazelnut spread side up.

Spread banana slices evenly to within ½ inch of the edge of the tortilla.

Place the other tortilla on top and close the Lid. Close the Lid and cook for 3-7 minutes. Open Lid with pot holder or oven mitt.

Garnish with strawberries and sprinkle lightly with powdered sugar.

RETURNS & WARRANTY

SHOULD YOUR UNIT NOT WORK OR IF DAMAGED WHEN YOU FIRST TAKE IT OUT OF THE BOX, PLEASE RETURN IT TO THE PLACE OF PURCHASE IMMEDIATELY.

ELECTRIC QUESADILLA MAKER/ TCTEQM8RD

Should you have any questions, please contact us via email or at the customer service number listed below between the hours of 8:00 AM and 5:00 PM, Monday through Friday, Central Standard Time.

Distributed by:

Nostalgia Products LLC
1471 Partnership Dr.
Green Bay, WI 54304-5685
Customer Service
Phone: (920) 347-9122
Web: www.nostalgiaproducts.com

Customer Service Inquiry

To submit a Customer Service inquiry, go to www.nostalgiaproducts.com and fill out the Customer Service Inquiry form and click the Submit button.

A representative will contact you as soon as possible.

Product Warranty Terms

Nostalgia Products LLC (the "Company") hereby warrants that for a period of one (1) year from the date of original purchase, this product will be free of defects in material and workmanship under normal home use, provided that the product is operated and maintained in accordance with the operating instructions. As the sole and exclusive remedy under this warranty, the Company will at its discretion either repair or replace the product found to be defective, or issue a refund on the product during the warranty period. This warranty is only available to the original retail purchaser of the product from the date of initial retail purchase, and is only valid with the original sales receipt, as proof of purchase date is required to obtain warranty benefits. All warranty claims must be brought to the attention of the Company within the warranty period and no later than 30 days of the failure to perform. This warranty does not cover normal wear or damage caused by shipping, mishandling, misuse, accident, alteration, improper replacement parts, or other than ordinary household use. You may be required to return the product (with shipping prepaid by you) for inspection and evaluation. Return shipping costs are not refundable. The Company is not responsible for returns damaged or lost in transit. Unless otherwise specifically permitted by the operating instructions, this warranty applies to indoor household use only. In order to obtain service under this warranty, please contact the Company at the telephone number listed above or by filling out the Customer Service Inquiry Form located at www.nostalgiaproducts.com. Warranty valid only in USA and Canada.

This warranty is in lieu of all other warranties, expressed or implied, including warranties of merchantability and fitness for a particular purpose, which are hereby excluded to the extent permitted by law. In no event shall the Company be liable for any indirect, incidental, consequential, or special damages arising out of or in connection with this product or the use thereof. Some states, provinces or jurisdictions do not permit the exclusion or limitation of incidental or consequential damages, so the foregoing exclusion or limitation may not apply to you.

This warranty does not apply to re-manufactured merchandise.

Please read the operating instructions carefully. Failure to comply with the operating instructions will void this warranty.

For more information, visit us online at www.nostalgiaproducts.com.

Like us on Facebook at www.facebook.com/NostalgiaElectrics.

Follow our boards on Pinterest at www.pinterest.com/nostalgiaelctr.

Tweet along with us on Twitter at www.twitter.com/NostalgiaElctr.

¡Haga de cada día una fiesta!
Visite www.nostalgiaproducts.com para
ver más productos divertidos.

CONTENIDO

SEGURIDAD	13
PROTECCIONES IMPORTANTES	14
PROTECCIONES IMPORTANTES ADICIONALES	14
INTRODUCCIÓN	15
PARTES Y ENSAMBLE	16
CÓMO FUNCIONA	16
CONSEJOS ÚTILES	18
LIMPIEZA Y MANTENIMIENTO	19
RECETAS	20
DEVOLUCIONES Y GARANTÍA	23

SEGURIDAD

Su seguridad y la seguridad de los demás es muy importante.

Hemos incluido varios mensajes importantes de seguridad en este manual y en su aparato. Siempre lea y cumpla con todos los mensajes de seguridad.



Éste es un símbolo de alerta de seguridad.

Este símbolo le avisa de los peligros potenciales que pueden provocar serias lesiones a usted y a otros.

Todos los mensajes de seguridad tendrán el símbolo de alerta de seguridad.

Todos los mensajes de seguridad le dirán cuál es el peligro potencial, cómo reducir la probabilidad de daños y qué puede suceder si no se siguen las instrucciones.

Especificaciones del Aparato:

120 Voltios, 60 Hz, 900 Vatio



ESTE PRODUCTO ES PARA USAR SOLAMENTE EN UN TOMACORRIENTE DE 120 VCA

Visite www.nostalgiaproducts.com/user-manuals/ para ver el manual más actualizado.



PROTECCIONES IMPORTANTES

Una persona que no haya leído y comprendido todas las instrucciones de uso y seguridad no está calificada para utilizar este aparato. Todos los usuarios de este dispositivo deben leer y comprender este Manual de instrucciones antes de utilizar o limpiar este aparato.

Cuando utiliza aparatos eléctricos, siempre se deben seguir algunas medidas básicas de seguridad que incluyen las siguientes:

1. **Lea todas las instrucciones antes de utilizar este aparato.**
2. NO TOQUE las superficies calientes. Use agarraderas o mangos.
3. Este aparato NO ES UN JUGUETE.
4. Manténgalo fuera del alcance de los niños.
5. Sin supervisión los niños y las personas con discapacidad intelectual nunca deben usar este aparato.
6. Es necesaria una supervisión estricta cuando los niños utilicen el aparato o cuando se encuentren a su alrededor.
7. Como medida de protección contra el riesgo de descarga eléctrica, no sumerja el cable, los enchufes ni ninguna otra parte de la unidad en agua ni en otros líquidos.
8. No haga funcionar el aparato si están faltando piezas o si están rotas.
9. Desenchufe el aparato de la red cuando no lo esté utilizando, antes de retirar piezas y antes de su limpieza. Déjelo enfriar antes de colocar o retirar cualquiera de las piezas, y antes de la limpieza.
10. NO utilice ningún aparato con el cable o el enchufe dañados, ni si el aparato tiene desperfectos o SI se ha dañado de cualquier manera. Devolver el aparato al taller de reparación más cercano para su reparación o ajuste.
11. El fabricante no recomienda el uso de otros aditamentos o accesorios diferentes a los proporcionados por el fabricante. El uso de accesorios puede provocar lesiones.
12. NO utilice el aparato para otro uso que no sea el cual para el que está destinado.
13. NO lo utilice en exteriores. ÚNICAMENTE PARA USO INTERIOR
14. NO coloque el aparato sobre o cerca de un fogón de gas o eléctrico o dentro de un horno caliente.
15. NO coloque ninguna pieza de este aparato en un lavavajillas.
16. NO permita que el cable cuelgue sobre el borde de la mesa o del mostrador, ni que toque superficies calientes.
17. NUNCA deje la unidad desatendida mientras esté en uso o cuando esté enchufada a una toma de corriente.
18. Para desconectar, mueva todos los controles a "off" y luego retire el enchufe del tomacorriente.



PROTECCIONES IMPORTANTES ADICIONALES

Precauciones de seguridad operativa

1. Debe ser extremadamente cuidadoso al abrir y cerrar la tapa de esta unidad. Use un mitón o una agarradera al abrir y cerrar la tapa para mayor seguridad.
2. Verifique la bandeja de goteo con frecuencia durante las sesiones de cocción para prevenir que se desborde.

3. Con esta unidad no se recomienda usar artículos metálicos, tales como espátulas, puesto que pueden dañar la superficie antiadherente de cocción.
4. NO guarde objetos, tales como cartón, plástico, papel, etc., dentro del aparato.
5. NO cubra ninguna parte del aparato con hojas de metal.

Instrucciones para el cable eléctrico y el enchufe

1. El aparato tiene un enchufe polarizado (una patita más ancha). Se diseñó para reducir el riesgo de descarga eléctrica, dado que entra en un tomacorriente polarizado solo en una posición. **Si el enchufe no entra bien en la toma de corriente, déle la vuelta. Si aún así no entra, comuníquese con un electricista calificado. No modifique el enchufe de ninguna manera.**
2. Se provee un cable de alimentación corto para reducir el riesgo resultante de enredarse o tropezar con un cable largo.
3. Si se utiliza un cable alargador o un cable de alimentación más largo:
 - Unos cables de extensión se pueden utilizar si se tiene cuidado con su uso.
 - Las características nominales del grupo de cables o del cable de extensión deben ser al menos iguales a las del aparato.
 - Cuando se utiliza un cable largo o cable de extensión, asegúrese de que el cable no sobresalga de la encimera ni una mesa ya que se puede halar o tropezarse con el cable involuntariamente.
4. El fabricante no recomienda el uso de esta máquina en países que no admiten 120V CA incluso si se está usando un adaptador, transformador o convertidor de voltaje.

¡GUARDE ESTAS INSTRUCCIONES!

INTRODUCCIÓN

¡Muchas gracias por comprar MÁQUINA ELÉCTRICA PARA HACER QUESADILLA! Estamos seguros de que usted, sus familiares y amigos disfrutarán de la experiencia de hacer comida divertida, creando quesadillas únicas y deliciosas con su MÁQUINA ELÉCTRICA PARA HACER QUESADILLA.

- El placer de utilizar una variedad de carnes, quesos y verduras en su quesadilla.
- ¡Disfrute de sus quesadillas crujientes por fuera y calientes y jugosas adentro! (no blandas y pasadas como las que se hacen en el microondas).
- El diseño único del plato posee compartimentos que hacen que se sellen las porciones con los sabrosos ingredientes.
- Luz Roja de Energía (encendido/apagado) y Luz Verde que indica que está Listo.
- Revestimiento antiadherente.
- Bandeja de Goteo extraíble.
- Se puede guardar en forma vertical.
- Recetas (Incluidas).
- El tiempo de cocción es de sólo 3 a 7 minutos.
- Fácil de utilizar, fácil de limpiar.

PARTES Y ENSAMBLE



Tapa de Cierre

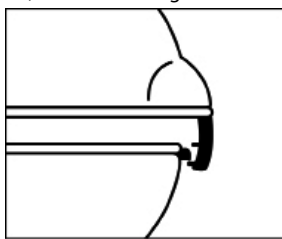
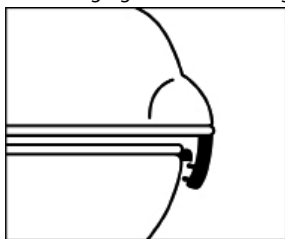
Antiadherente
Cocina Superficie

Bandeja
Colectora

CÓMO FUNCIONA

1. Antes de utilizarlo por primera vez, limpie todas las superficies con un trapo húmedo y luego seque.
2. La Superficie de Cocción debe recubrirse con una pequeña cantidad de aceite vegetal. Puede aplicarlo utilizando una toalla de papel. El aceite ayudará a proteger la Superficie Antiadherente de Cocción. Debe realizar esto de forma periódica para mantener la calidad antiadherente.
3. Busque una superficie seca, apta y nivelada cerca de un tomacorriente eléctrico.
4. Precaliente el aparato cerrando la Tapa y enchufándolo a un tomacorriente eléctrico.
5. Cuando está encendida, se visualiza la Luz Roja de Energía. La Luz Verde que indica que está Listo permanecerá apagada mientras se precalienta el aparato.
6. Mientras se precalienta el aparato, usted puede preparar los ingredientes para su quesadilla casera.
7. Cuando el aparato está caliente y listo para cocinar su quesadilla, se encenderá la Luz Verde que indica que está Listo.

8. RECORDATORIO: NUNCA deje el aparato sin prestarle atención.
9. El aparato debe precalentar por lo menos durante 3 a 7 minutos. Durante este período, usted podrá notar que sale un leve humo u olor; esto es normal en la mayoría de los dispositivos. El humo y el olor son causados por los residuos que se queman en la Superficie de Cocción y el Elemento de Calentamiento. Deje precalentar el aparato hasta que ha no haya humo ni olor. La Luz verde que indica que está Listo se encenderá cuando el aparato esté listo para cocinar.
10. Deslice la Bandeja de Goteo que se encuentra al frente del aparato.
11. Levante la Tapa de la máquina para hacer quesadilla, utilizando siempre la Manija del frente para evitar quemaduras accidentales. Para utilizarlo de forma más segura, utilice una manopla para horno o una agarradera para abrir la Tapa.
12. Coloque una tortilla, centrada, en la Superficie de Cocción inferior.
13. Agregue los ingredientes deseados de forma pareja sobre la tortilla inferior. Una vez agregados todos los ingredientes, cubra con la segunda tortilla.



14. Cierre la Tapa utilizando una agarradera o manopla.
15. Trabe la Tapa luego de haberla bajado.
16. Existen dos posiciones para trabar la Tapa:

POSICIÓN 1	POSICIÓN 2
-------------------	-------------------
17. Trabe la Tapa en la Posición 1 para las quesadillas más finas. Trabe la Tapa en la Posición 2 para las quesadillas rellenas más anchas.
18. NO fuerce la Tapa para trabar.
19. Puede salir vapor del aparato mientras cocina. Por su seguridad, evite el contacto con el vapor, ya que está muy caliente y puede causar quemaduras.
20. El tiempo de cocción será de entre 3 y 7 minutos, dependiendo del tipo de relleno, la cantidad de relleno y el gusto personal. ¡NO la cocine demasiado! Esto hará que el queso y otros rellenos que utilice se derritan de forma excesiva y se desborden de las tortillas.
21. Una vez que la quesadilla haya completado su cocción, levantar la Tapa con una agarradera o manopla. Extraiga la quesadilla de la Superficie de Cocción con un utensilio plano de plástico o madera. NO utilice utensilios metálicos, ya que pueden rayar y dañar la Superficie Antiadherente de Cocción.
22. Si cocina más de una quesadilla, luego de extraer la primera quesadilla baje la Tapa para mantener el calor hasta que esté listo para cocinar la siguiente quesadilla.
23. Luego de desenchufar el aparato, asegúrese de que esté apagada la Luz Roja de Energía, para evitar chispas en el tomacorriente.
24. Una vez que el aparato esté frío, extraiga la Bandeja de Goteo para vaciarla y limpiarla.

CONSEJOS ÚTILES



NUNCA deje la unidad sin atención mientras está funcionando.

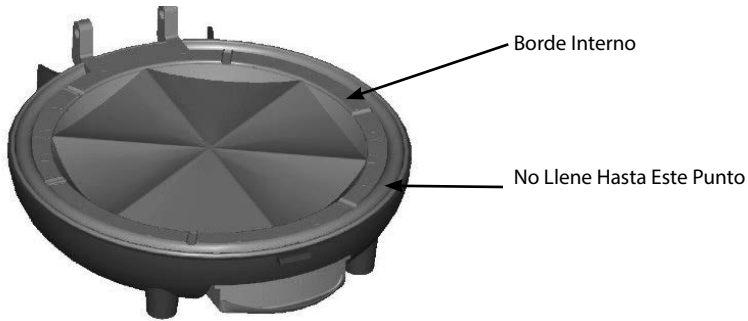
1. Se recomienda utilizar tortillas en su MÁQUINA ELÉCTRICA PARA HACER QUESADILLA. Asegúrese de que sean tortillas frescas, no viejas o pasadas.
2. Asegúrese de que los rellenos se distribuyan de forma pareja en la parte inferior de la tortilla hasta aproximadamente $\frac{1}{2}$ pulgada (1 cm) del borde, para que los bordes de la tortilla puedan cerrarse y los ingredientes permanezcan dentro de las tortillas.
3. Utilice ingredientes suaves: quesos en trozos, salsas preparadas y carne, pollo o verduras cocidas cortadas en pedacitos finos o en trozos. Nunca utilice nada que contenga huesos o carozos, ni nada que no esté cocido como carne, pollo, etc. crudos.
4. Evite los quesos procesados ya que se hacen líquidos rápidamente y se derramarán de la quesadilla.
5. No utilice más de $\frac{1}{4}$ de taza de queso trozado o $\frac{1}{2}$ taza de salsa, ya que se derramarán mientras cocina su quesadilla.
6. El tiempo promedio para cocinar una quesadilla, si no se rellena por demás, es de 3 a 7 minutos.
7. La tortilla se hace crocante mientras se cocina. Por lo tanto, cuanto menos se cocine, menos crocante será.
8. Si lo deja cocinar durante un período más largo, hará una quesadilla más crujiente. NO cocine la quesadilla por demás.
9. NUNCA fuerce la Tapa para trabarla, esto podría dañar la bisagra de la Tapa.
10. Siempre tenga la Bandeja de Goteo colocada mientras cocina una quesadilla. Controle la Bandeja de Goteo permanentemente durante el período de cocción para evitar derrames.
11. En el caso de que algo se derrita y cause un derrame en las tortillas, limpie suavemente el queso derretido, etc. de la Superficie Antiadherente de Cocción antes de cocinar la siguiente quesadilla. Esto evitará que se queme o achicharren los quesos, etc. previamente derretidos.
12. Puede recalentar quesadillas previamente cocidas colocando la quesadilla en la unidad precalentada, alineando las marcas de la grilla en la quesadilla con las Cavidades del Plato, bajando la Tapa y recalentando durante 1 a 3 minutos.
13. Siempre deje que el aparato se enfríe antes de extraer la Bandeja de Goteo y limpiar el interior.
14. Si su quesadilla se ve de esta forma, es porque se le puso más relleno del debido:



No están las
Hendiduras de las
Cavidades del Plato

Las Tortillas No
Se Cierran

15. Para evitar llenar la quesadilla por demás, asegúrese de no llenar la tortilla del plato inferior más allá del borde interno:



16. Además, asegúrese de que la Tapa esté trabada en la posición correcta (ver Cómo Funciona) para asegurarse que las tortillas se cierren correctamente.

LIMPIEZA Y MANTENIMIENTO

Por favor, cuide su MÁQUINA ELÉCTRICA PARA HACER QUESADILLA siguiendo estas simples instrucciones y precauciones. La limpieza toma sólo unos minutos.

- Desconecte del tomacorriente eléctrico desenchufando el aparato.
- Asegúrese de que el aparato esté frío antes de extraer la Bandeja de Goteo.
- Vacíe la Bandeja de Goteo, luego límpiela en agua caliente o tibia con jabón. Enjuague y seque.
- Limpie la Superficie Antiadherente de Cocción con un trapo húmedo no abrasivo o con toallitas de papel y luego seque.
- Limpie el exterior con un trapo húmedo no abrasivo y seque.

Es así de sencillo. Recuerde cubrir la Superficie de Cocción con aceite vegetal periódicamente para preservar el recubrimiento antiadherente. Esto además ayuda en el proceso para que las quesadillas queden crujientes.

RECETAS

Con La MÁQUINA ELÉCTRICA PARA HACER QUESADILLA, usted puede utilizar su imaginación y elegir sus ingredientes preferidos para crear su propia quesadilla casera.

Incluso puede crear dos tipos diferentes de quesadillas al mismo tiempo poniendo sus ingredientes favoritos a la mitad de una quesadilla y doblándola y luego poniendo otros ingredientes a la otra mitad de una tortilla y doblándola. Coloque las dos tortillas en mitades en la Superficie de Cocción, cubriendo el espacio de una tortilla entera. Cierre la Tapa y cocine durante 3 a 5 minutos. Cuando esté lista, separe las dos mitades y sirva. ¡Sea creativo/a y DISFRUTE de su MÁQUINA ELÉCTRICA PARA HACER QUESADILLA!

QUESADILLA BÁSICA DE QUESO

- 2 Tortillas de Harina
 - ¼ de Taza de Queso cortado finamente en trozos (Cheddar, Monterey Jack o cualquier otro de su preferencia)
 - ½ Taza de Salsa preparada (Nota: Puede optar por drenar un poco de líquido si está muy líquida)
 - Guacamole o pequeños trozos de aguacate (opcional)
- Precaliente la MÁQUINA ELÉCTRICA PARA HACER QUESADILLA según se indicó previamente.
- Coloque 1 tortilla en la Superficie de Cocción inferior.
- Distribuya de forma pareja su(s) queso(s) de preferencia en la tortilla (hasta una pulgada ½ pulgada) del borde de la tortilla. Cubra con salsa, distribuyéndola de forma pareja sobre el queso.
- Agregue el guacamole o aguacate, si lo desea, esparciéndolo de forma pareja sobre el queso y la salsa.
- Cubra con la segunda tortilla.
- Cierre la Tapa y cocine durante 3 a 7 minutos, dependiendo de cuán crujiente la desea y del espesor del relleno.
- Abra la Tapa con una agarradera o manopla.
- Extraiga con un utensilio de madera o plástico. Coloque en un plato y sirva con más salsa, si lo desea y cubra con crema.

QUESADILLA PARA EL DESAYUNO

- 2 Tortillas
 - ¼ de Taza de Huevos Revueltos
 - ¼ de Taza de Salchichas Cortadas
 - ¼ de Taza de Salsa
 - ¼ de Taza de Queso Cheddar Cortado en Trozos Pequeños
- Precaliente la MÁQUINA ELÉCTRICA PARA HACER QUESADILLA según se indicó previamente.
- Coloque 1 tortilla en la Superficie de Cocción inferior.
- Distribuya de forma pareja los huevos revueltos hasta ½ pulgada (1 cm) hacia adentro del borde de la tortilla. Distribuya de forma pareja los pedacitos de salchicha. Distribuya la salsa de forma pareja y cubra salpicando el queso Cheddar de forma pareja por encima.
- Coloque la otra tortilla encima y cierre la Tapa. Cocine según lo indicado durante 3 a 7 minutos. Abra la Tapa con una agarradera o manopla; sirva con salsa o salsa picante.

QUESADILLA BÁSICA PLUS

- 2 Tortillas de Harina
- ¼ de Taza de Queso Cortado Finamente en Trozos (Cheddar, Monterey Jack o cualquier otro de su preferencia)
- ¼ de Taza de Pollo, Carne Vacuna o su Carne Preferida Cocinada Desmenuzada o en Trozos.
- ¼ de Taza de Salsa Preparada
- Guacamole o Pequeños Trozos de Aguacate (opcional)

Precaliente la MÁQUINA ELÉCTRICA PARA HACER QUESADILLA según se indicó previamente.

Coloque 1 tortilla en la Superficie de Cocción inferior. Distribuya de forma pareja su(s) queso(s) de preferencia en la tortilla (hasta ½ pulgada (1 cm)) del borde de la tortilla.

Cubra con una cantidad de carne o pollo distribuida de forma pareja.

Distribuya de forma pareja guacamole o aguacate, si lo desea, sobre el queso y la salsa.

Cubra con la segunda tortilla.

Cierre la Tapa y cocine durante 3 a 7 minutos, dependiendo de cuán crujiente la desea y del espesor del relleno.

Abra la Tapa con una agarradera o manopla.

Extraiga con un utensilio de madera o plástico. Coloque en un plato y sirva con más salsa preparada y crema.

QUESADILLA VEGETARIANA

- 2 Tortillas
- ¼ a ½ Taza de Pimiento, Cebollas o una Combinación de sus Verduras Preferidas Pre-Cocidas Descongeladas.
- ½ Cucharada de Condimento Mexicano o Fajita
- ¼ de Taza de Queso Cheddar Cortado en Cubitos y/o Salsa Preparada.

Precaliente la MÁQUINA ELÉCTRICA PARA HACER QUESADILLA según se indicó previamente.

Combine las verduras y condimentos en un bol.

Coloque 1 tortilla en la Superficie de Cocción inferior.

Distribuya de forma pareja las verduras y los condimentos, hasta ½ de pulgada (1 cm) del borde de la tortilla.

Cierre la Tapa y cocine durante 3 a 7 minutos, dependiendo de cuán crujiente la desea y del espesor del relleno.

Corte en triángulos; sirva con crema y salsa.

QUESADILLA CON MANTECA DE MANÍ Y MERMELADA

- 2 Tortillas
- 2 Cucharadas de Manteca de Maní
- 1 o 2 Cucharadas de Mermelada o Conservas de Frutas

Precaliente la MÁQUINA ELÉCTRICA PARA HACER QUESADILLA según se indicó previamente.

Distribuya de forma pareja una capa espesa de manteca de maní en la tortilla y una capa pareja de su preferencia, ya sea de mermelada o de conserva de fruta, en la otra tortilla.

Coloque la primera tortilla cuidadosamente en la superficie de cocción inferior, con la manteca de maní hacia arriba.

Coloque la otra tortilla encima, con la mermelada hacia abajo.

Cierre la tapa y cocine durante 3 a 7 minutos dependiendo del espesor, y de cuán crujiente la desea. Corte en triángulos; sirva con una brizna de miel para hacerla más dulce.

Siéntase libre de agregar pedacitos de fruta como bananas, si desea ser creativo/a.

DELICIOSA QUESADILLA DE POSTRE

- 2 Tortillas
- 2 Cucharadas de Nutella®
- ¼ de Taza de Bananas cortadas finamente
- ½ Taza de Frutillas
- 1 Cucharada de Azúcar Glasé

Precaliente la MÁQUINA ELÉCTRICA PARA HACER QUESADILLA según se indicó previamente.

Distribuya una capa espesa de Nutella® en una tortilla.

Coloque cuidadosamente la tortilla con Nutella® en la Superficie inferior de Cocción, con el Nutella® hacia arriba.

Distribuya pedazos de banana de forma pareja dentro de ½ pulgada (1 cm) del borde de la tortilla.

Coloque la otra tortilla encima y cierre la Tapa. Cierre la Tapa y cocine durante 3 a 7 minutos. Abra la Tapa con una agarradera o manopla.

Adorne con frutillas y espolvoree levemente con azúcar glasé.

DEVOLUCIONES Y GARANTÍA

SI LA UNIDAD NO FUNCIONA O ESTÁ DAÑADA AL SACARLA POR PRIMERA VEZ DE LA CAJA, DEVUÉLVALA AL LUGAR DE COMPRA INMEDIATAMENTE.

MÁQUINA ELÉCTRICA PARA HACER QUESADILLA / TCTEQM8RD

Si tiene preguntas, contacte con nosotros por correo electrónico o por el número telefónico de servicio al cliente que aparece a continuación en el horario de 8:00 AM a 5:00 PM, de lunes a viernes, Hora Estándar del Este.

Distribuida por:

Nostalgia Products LLC
1471 Partnership Dr.
Green Bay, WI 54304-5685
Servicio al cliente
Teléfono: (920) 347-9122
Web: www.nostalgiaproducts.com

Solicitud de servicio al cliente

Para enviar una solicitud al Servicio al Cliente, vaya a www.nostalgiaproducts.com, llene el formulario de Solicitud de Servicio al Cliente y haga clic en el botón Enviar.

Un representante le contactará tan pronto como sea posible.

Términos de garantía del producto

Por este medio, Nostalgia Products LLC (la "Compañía") garantiza que por un período de un (1) año a partir de la fecha de compra original, este producto estará sin defectos en cuanto a materiales y mano de obra en uso normal en casa, siempre que el producto se maneje y mantenga de acuerdo con las instrucciones de manejo. Como único y exclusivo remedio en virtud de esta garantía, la Compañía, a su discreción, podrá optar por reparar o sustituir el producto que se encuentre defectuoso, o emitir un reembolso por el producto durante el período de garantía. Esta garantía sólo está disponible para el comprador original minorista del producto a partir de la fecha inicial de compra al por menor, y sólo es válida con el recibo de compra original, y como prueba de la fecha de compra, es necesario obtener los beneficios de la garantía. Todos los reclamos de garantía deben hacerse a la atención de la Compañía dentro del período de garantía y no más tarde que 30 días desde la imposibilidad de realizarlo. Esta garantía no cubre el desgaste normal o daños ocasionados por el embarque, malos manejos, mal uso, accidentes, alteración, piezas de cambio incorrectas, o algo distinto al uso doméstico normal. Es posible que deba devolver el producto (con los gastos de envío pagados por usted) para inspección y evaluación. Los costos de envío no son reembolsables. La empresa no se hace responsable por devoluciones dañadas o perdidas en tránsito. A menos que se indique lo contrario específicamente permitido por las instrucciones de manejo, esta garantía sólo se aplica al uso en interiores de las viviendas. Para realizar una reparación bajo esta garantía, comuníquese con la Compañía mediante el número de teléfono indicado anteriormente o al llenar el formulario de consulta para el servicio de Atención al Cliente en www.nostalgiaproduct.com. El período de garantía sólo es válido en EE.UU. y Canadá.

Esta garantía está en lugar de cualquier otra garantía, expresa o implícita, incluso las garantías de comerciabilidad y conveniencia para un propósito en particular, que quedan excluidas en la medida permitida por la ley. En ningún caso la compañía será responsable de cualquier daño indirecto, incidental, consecuente, especial o daños que surjan o estén relacionados con este producto o la utilización del mismo. Algunos estados, provincias o corregimientos no permiten la exclusión o la limitación de daños incidentales o consecuentes, por lo que la exclusión o la limitación anterior quizás no se aplique a usted.

Esta garantía no se aplica a mercancía reelaborada.

Lea las instrucciones de manejo cuidadosamente. El incumplimiento de las instrucciones de manejo anulará esta garantía.

Para obtener más información, visítenos en línea en www.nostalgiaproducts.com.

Me Gusta en Facebook en www.facebook.com/NostalgiaElectrics.

Siga nuestros consejos sobre Pinterest en www.pinterest.com/nostalgiaelctrx.

Tweet con nosotros en Twitter en www.twitter.com/NostalgiaElctrx.

Faites que chaque jour soit une fête !
Visiter le site Web www.nostalgiaproducts.com
pour d'autres produits agréables.

TABLE DES MATIÈRES

SÉCURITÉ	24
PRÉCAUTIONS IMPORTANTES	25
PRÉCAUTIONS IMPORTANTES ADDITIONNELLES	25
INTRODUCTION	26
PIÈCES ET ASSEMBLAGE	27
COMMENT FAIRE FONCTIONNER	28
CONSEILS PRATIQUES	29
NETTOYAGE ET ENTRETIEN	31
RECETTES	32
RETOURS ET GARANTIE	35

SÉCURITÉ

Votre sécurité tout comme celle des autres est primordiale.

Ce manuel renferme plusieurs avis importants sur la sécurité lors de l'utilisation de votre appareil. Lire le manuel et conformez-vous aux avis contre-indiqués.



Ceci représente le symbole d'avertissement pour votre sécurité.

Ce symbole vous signale les dangers potentiels qui peuvent causer des blessures graves pour vous et les autres.

Ce symbole d'alerte à la sécurité suivra tous les avis relatifs à la sécurité.

Tous les avis sécuritaires indiqueront le danger potentiel exact, la façon dont vous pouvez réduire vos chances de blessure et vous indiquerons les conséquences potentielles si vous ne suivez pas ces instructions à la lettre.

Spécifications des Appareils:

120 Volts , 60 Hz, 900 Watts



CE PRODUIT EST POUR UTILISATION DANS UNE PRISE DE 120V AC UNIQUEMENT.

Se reporter au site www.nostalgiaproducts.com/user-manuals/ pour la version la plus récente.

PRÉCAUTIONS IMPORTANTES

Une personne n'ayant pas lu et compris toutes les instructions de fonctionnement et de sécurité n'est pas qualifiée pour faire fonctionner cet appareil. Tous les utilisateurs de cet appareil doivent lire et comprendre ce mode d'emploi avant d'utiliser ou de nettoyer cet appareil.

Lorsque l'on utilise un appareil électrique, il faut toujours respecter des précautions de base, y compris celles-ci :

1. **Lisez toutes les instructions avant d'utiliser cet appareil.**
2. NE PAS TOUCHER les surfaces chaudes. Utiliser les poignées ou les boutons.
3. Cet appareil n'est PAS UN JOUET.
4. Les jeunes enfants non supervisés et les individus ayant une déficience cognitive ne devraient jamais faire fonctionner cet appareil.
5. Une surveillance étroite est nécessaire lorsqu'un appareil est utilisé par ou à proximité d'enfants.
6. Pour protéger contre les chocs électriques ne pas submerger le cordon, la fiche ou aucune pièce de cet appareil dans l'eau ou d'autres liquides.
7. Débranchez l'appareil lorsqu'il ne sert pas, avant de retirer des pièces et avant le nettoyage. Laisser refroidir avant de mettre ou d'enlever des pièces et avant le nettoyage.
8. NE PAS utiliser un appareil avec un cordon ou une fiche électrique endommagés ou après un mauvais fonctionnement de l'appareil ou s'il a été endommagé d'une manière quelconque. Retournez l'appareil à l'atelier de réparation le plus proche pour un examen, réparation ou réglage.
9. Le fabricant ne recommande pas l'utilisation d'accessoires autres que ce qui est prévu par le fabricant. L'utilisation d'accessoires peut causer des blessures.
10. NE PAS utiliser cet appareil pour toute autre utilisation pour laquelle il n'a pas été conçu.
11. N'utilisez PAS l'appareil à l'extérieur. POUR UN USAGE DOMESTIQUE UNIQUEMENT.
12. NE PAS placer sur ou près d'un brûleur à gaz ou électrique ou dans un four chauffé. 1. NE PAS mettre en lave-vaisselle.
13. NE laissez PAS le cordon pendre sur le bord de la table ou du comptoir, ni toucher les surfaces chaudes.
14. NE laissez JAMAIS l'unité sans surveillance lorsqu'il est en service ou une fois branché à une prise électrique.
15. Une extrême prudence doit être utilisée pour déplacer un appareil contenant des liquides chauds.
16. Toujours brancher l'appareil en premier, puis brancher le cordon dans la prise murale. Pour débrancher l'appareil, mettre tous les boutons à la position « arrêt », puis débrancher la fiche de la prise murale.

PRÉCAUTIONS IMPORTANTES ADDITIONNEL

Instructions et précautions de sécurité

1. Faites preuve d'une extrême prudence au moment d'ouvrir ou de fermer le Couvercle de l'appareil. Utilisez un gant ou des mitaines de four lors de l'ouverture et de fermeture du couvercle pour plus de sécurité.
2. Vérifier le plateau ramasse-gouttes fréquemment pendant les cuissons pour empêcher tout débordement.
3. L'utilisation d'articles en métal, tels que les spatules, n'est pas recommandée avec cet appareil, car ils peuvent endommager la surface de cuisson antiadhésive.

4. NE stockez AUCUN objet dans l'appareil, tel que du carton, du plastique, du papier, etc.
5. NE JAMAIS couvrir l'appareil d'une pellicule en aluminium.

Instructions pour le cordon électrique et la prise

1. Cet appareil a une fiche polarisée (une lame est plus large que l'autre). Pour réduire le risque de choc électrique, cette fiche est conçue pour s'insérer dans une prise polarisée d'une seule façon. **Si la fiche ne s'insère pas complètement dans la prise électrique, veuillez la l'insérer dans l'autre direction. Si elle ne s'enfonce toujours pas, contactez un électricien qualifié. Ne pas tenter de modifier la fiche d'aucune façon que ce soit.**
2. Un court cordon d'alimentation est fourni pour réduire les risques d'enchevêtrement ou risques de trébucher sur un cordon plus long.
3. Si un cordon d'alimentation amovible ou une rallonge est utilisé :
 - Les rallonges électriques peuvent être utilisées avec soin.
 - Les caractéristiques électriques du câble ou de la rallonge doivent être au moins aussi grandes que la puissance nominale de l'appareil.
 - Lorsque vous utilisez un cordon plus long ou une rallonge électrique, assurez-vous que celui-ci ne pende pas hors du comptoir ou d'une table où il pourrait faire trébucher ou être tiré.
4. Le fabricant ne recommande pas l'utilisation de cet appareil dans les pays qui ne supportent pas les tensions de 120V AC, même si un adaptateur de tension, un transformateur ou un convertisseur est utilisé.

CONSERVEZ CES INSTRUCTIONS !

INTRODUCTION

Nous vous remercions d'avoir acheté le APPAREIL POUR QUESADILLAS ÉLECTRIQUE !

Nous sommes confiants que vous et votre famille aurez une expérience culinaire hors pair, pour créer des mets uniques et des quesadillas délicieuses avec votre appareil APPAREIL POUR QUESADILLAS ÉLECTRIQUE.

- Soyez créatifs en utilisant une variété de viandes, de fromages et de légumes pour confectionner vos quesadillas.
- Goûter vos quesadillas, lesquelles seront croustillantes à l'extérieur et juteuses à l'intérieur! (elles ne seront pas molles et ramollies comme celles qui vont au micro-ondes)
- L'assiette conçue à pochettes uniques, est conçue pour créer des sections propices afin d'y sceller à l'intérieur toute la saveur des ingrédients.
- La lumière Rouge d'alimentation (allumé/éteint) et la lumière verte Prêt
- Enduit antiadhésif.
- Bac Récepteur amovible
- Rangement trépied sur le rebord
- Recettes (incluses)
- Temps de cuisson est seulement de 3 à 7 minutes
- Facile d'utilisation, facile à nettoyer

PIÈCES ET ASSEMBLAGE



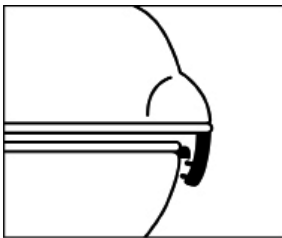
Couvercle de
Verrouillage

Surface de Cuisson
Anti-Adhésive

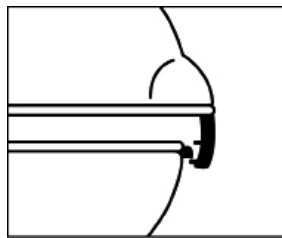
Bac Récepteur

COMMENT FAIRE FONCTIONNER

1. Avant de faire la première utilisation, essuyer toutes les surfaces à l'aide d'un linge humide puis assécher.
2. La surface de Cuisson devrait être légèrement enduite d'un peu d'huile végétale. Ceci peut être fait à l'aide d'un essuie-tout. L'huile aide à protéger la Surface de cuisson antiadhésive. Ceci devrait être fait périodiquement afin de conserver toute la qualité des propriétés antiadhésives.
3. Dénicher une surface plane, sèche, laquelle est pratique et près d'une prise électrique murale.
4. Préchauffer l'appareil avant de refermer le couvercle et branchez-le dans la prise électrique murale.
5. Lorsque l'appareil est allumé, la lumière Rouge d'Alimentation sera allumée. Tant que l'appareil est en mode de préchauffage, la lumière verte Prêt restera éteinte.
6. Lorsque l'appareil préchauffe, vous pouvez préparer les ingrédients nécessaires pour votre quesadilla.
7. Lorsque l'appareil est chaud et prêt à cuire vos quesadillas, la lumière Verte Prêt s'allumera.
8. **RAPPEL : NE JAMAIS** laisser l'appareil sans surveillance.
9. L'appareil devrait préchauffer pour un minimum de 3 à 7 minutes. Pendant ce temps, vous pouvez remarquer une légère fumée ou odeur de brûlé ; ceci est tout à fait normal pour la plupart des nouveaux appareils. La fumée et l'odeur sont causées par le brûlement des résidus restants situés sur la Surface de cuisson et l'élément chauffant. Permettre à l'appareil de préchauffer jusqu'à ce que la fumée et l'odeur se soient dissipées. La lumière verte Prêt s'allumera lorsque l'appareil sera prêt à être utilisé.
10. Faire glisser le Bac Récepteur sous le devant de l'appareil.
11. Soulever le couvercle de l'appareil à quesadilla en prenant soin de toujours utiliser la poignée avant afin d'éviter les brûlures accidentelles. Utiliser une mitaine pour le four ou une manique lorsque vous ouvrez ou fermez le couvercle, cela est d'autant plus sécuritaire.
12. Placer une tortilla, de façon à bien la centrer, sur la surface inférieure de Cuisson.
13. Ajouter tous les ingrédients désirés, lesquels doivent être distribués de façon égale sur la surface supérieure de la tortilla. Lorsque tous les ingrédients ont été ajoutés, couvrir avec une deuxième tortilla.
14. Fermer le couvercle à l'aide d'une manique ou d'une mitaine à four.
15. Verrouiller le couvercle une fois abaissé. Il y a deux (2) positions de verrouillage pour le couvercle :



1ère POSITION



2è POSITION

16. Verrouiller le couvercle à la 1ère position pour des quesadillas plus minces. Verrouiller le couvercle à la 2è position pour des quesadillas bien fourrées.
17. NE PAS forcer le couvercle pour le verrouiller.
18. De la vapeur peut s'échapper de l'appareil pendant la cuisson. Pour votre sécurité, éviter tout contact avec la vapeur, car celle-ci est très chaude et risque de vous brûler.
19. Le temps de cuisson s'échelonne de 3 à 7 minutes, selon la sorte d'ingrédients à l'intérieur, ainsi que combien de farce est introduite à l'intérieur et au goût également. NE PAS trop faire cuire! Cela pourrait cause que le fromage ou autres ingrédients utilisés pour la farce, ne fondent trop et ainsi débordent à l'extérieur des tortillas et brûlent.
20. Une fois que la quesadilla est complètement cuite, soulever le couvercle à l'aide d'une manique ou d'une mitaine à four. Enlever la quesadilla de la surface de cuisson avec un outil de cuisine en plastique ou de bois. NE PAS utiliser des outils de cuisine métalliques, car ceci pourrait égratigner ou endommager la surface de cuisson antiadhésive. .
21. Advenant le cas où vous devez cuire plusieurs quesadillas, une fois la première enlevée, rabattre le couvercle afin de conserver la chaleur de cuisson, jusqu'à ce que vous soyez prêts pour cuire la suivante.
22. Une fois l'appareil débranché, assurez-vous que la lumière rouge ALLUMÉE est éteinte, pour éviter toute étincelle issue de la prise électrique.
23. Une fois l'appareil refroidi, enlevez le Bac Récepteur afin de le vider et le nettoyer.

CONSEILS PRATIQUES



NE JAMAIS laisser l'appareil sans surveillance lors de son utilisation.

1. Seulement les Tortillas sont recommandées pour utilisation dans le APPAREIL POUR QUESADILLAS ÉLECTRIQUE. Assurez-vous d'utiliser des tortillas fraîches et non vieilles ou asséchées.
2. Assurez-vous que les farces sont bien étalées sur le fond de la tortilla en deçà de ½ pouce du rebord, afin que les bordures puissent se sceller entre elles pour bien conserver tous les ingrédients à l'intérieur de la tortilla.
3. Utiliser des ingrédients mous tels:des fromages râpés, de la salsa préparée, des viandes froides tranchées ou émincées, du poulet ou des légumes. Éviter d'utiliser des viandes ayant des os ou autres ingrédients ayant des noyaux, ni des viandes crues, tel du poulet, etc.
4. Éviter tous fromages fondus, car ils se liquéfient très rapidement et couleront hors de la quesadilla.
5. Ne pas utiliser une quantité plus de ¼ de tasse de fromage ou ½ tasse de salsa, car ceux-ci couleront hors de la quesadilla pendant la cuisson.
6. Le temps moyen pour cuire une quesadilla si celle-ci est remplie normalement, est entre 3 et 7 minutes.
7. La tortilla devient croustillante pendant la cuisson. Pour cette raison, moins la durée de cuisson est longue = moins la tortilla est croustillante.
8. Une durée plus longue de cuisson aura pour effet de rendre la quesadilla plus croustillante. NE PAS trop cuire la quesadilla.
9. NE JAMAIS forcer le couvercle pour le verrouiller, car ceci pourrait endommager le loquet de la penture du couvercle.

1. Toujours vous assurez que le Bac Récepteur est en place pendant la cuisson de la quesadilla. Vérifier le Bac Récepteur fréquemment durant la cuisson afin d'empêcher que celui-ci ne déborde.
2. Advenant que certains ingrédients coulent durant la cuisson, essuyer doucement le fromage fondu, etc. de la surface de cuisson antiadhésive, avant de cuire la suivante. Ceci empêchera le brûlement des ingrédients renversés ou d'avoir à gratter les fromages fondus, etc. au préalable.
3. Vous pouvez réchauffer les quesadillas précuites en les plaçant sur l'unité de préchauffage, tout en prenant soin d'enligner les marques des quesadillas avec les marques des pochettes de l'assiette indiquées sur l'appareil, ensuite rabaisser le couvercle et réchauffer de 1 à 3 minutes.
4. Toujours permettre à l'appareil de refroidir avant d'enlever le Bac Récepteur afin d'essuyer l'intérieur pour le nettoyage.
5. Votre quesadilla est trop remplie si elle ressemble à celle-ci :



Nombre de morceaux indiqués selon les pochettes de l'assiette

Les Tortillas ne se scellent pas bien

6. Afin de prévenir de trop remplir votre quesadilla sursurez-vous que vous ne remplissez pas trop votre tortilla placée sur la plaque inférieure, laquelle doit dépasser la bordure interne :



Bordure intérieure

Ne pas remplir au-delà de ce point d'indication

7. Assurez-vous également que le couvercle est bien verrouillé et dans la position adéquate (voir Comment faire Fonctionner) afin de bien sceller les tortillas durant la cuisson.

NETTOYAGE ET ENTRETIEN

Prendre soin de votre APPAREIL POUR QUESADILLAS ÉLECTRIQUE en suivant ces instructions et précautions simples. Nettoyer se fait en tour de main.

- Débrancher l'appareil de la prise électrique murale.
- Assurez-vous que l'appareil est refroidi avant d'enlever le Bac Récepteur.
- Vider le Bac Récepteur, puis nettoyez-le dans de l'eau chaude ou tiède savonneuse. Rincer et assécher.
- Essuyer la surface de cuisson antiadhésive, avec un linge humide doux ou un essuie-tout puis assécher.
- Essuyer l'extérieur avec un linge humide doux et assécher.

Le tour est joué! Rappelez-vous d'enduire périodiquement la surface de cuisson avec de l'huile d'olive afin de conserver son fini antiadhésif. Ce processus aide également à l'effet croustillant.

RECETTES

À l'aide de votre APPAREIL POUR QUESADILLAS ÉLECTRIQUE laissez libre votre imagination et choisir parmi vos ingrédients favoris afin de créer vos propres recettes maison.

Vous pouvez également créer deux (2) sortes de quesadillas simultanément en y ajoutant vos ingrédients préférés sur une moitié de la tortilla et la replier. Puis, ajouter d'autres ingrédients une autre moitié et repliez-la également. Placer les deux (2) moitiés des tortillas sur la surface, en prenant soin de remplir l'espace laissé avec une tortilla entière. Fermer le couvercle et cuire de 3 à 5 minutes. Lorsque le tout est cuit, séparer les deux (2) moitiés et servir. Laissez libre votre imagination et ayez du PLAISIR avec votre APPAREIL POUR QUESADILLAS ÉLECTRIQUE !

QUESADILLA AU FROMAGE SIMPLE

- 2 Tortillas
Préchauffer le APPAREIL POUR QUESADILLAS ÉLECTRIQUE tel qu'indiqué.
- ¼ Tasse de Fromage Râpé Finement (Cheddar, Monterey Jack ou à votre goût)
Placer une tortilla, de façon à bien la centrer, sur la surface inférieure de Cuisson.
Distribuer uniformément les choix de fromages sur la tortilla (jusqu'à concurrence de 1 po du rebord de la tortilla). Étaler de la salsa afin de recouvrir par le fromage.
- ½ Tasse de Salsa Préparée (Note : Il est conseillé d'enlever l'excès de liquide si la salsa est liquide)
Ajouter du guacamole ou de l'avocat de façon uniforme partout sur la salsa et le fromage, à votre goût.
Couvrir d'une deuxième tortilla.
- Guacamole ou Petits Morceaux d'Avocats (facultatif)
Fermer le couvercle et cuire de 3 à 7 minutes, selon votre préférence d'une quesadilla plutôt croustillante ou non ainsi que l'épaisseur de la farce.
Ouvrir le couvercle à l'aide d'une manique ou d'une mitaine à four.
Enlever l'outil de cuisine en plastique ou en bois. Placer sur un plateau de service ou une assiette avec un peu plus de salsa ainsi que de la crème sûre au goût, puis servir.

QUESADILLA POUR LE PETIT DÉJEUNER

- 2 Tortillas
Préchauffer le APPAREIL POUR QUESADILLAS ÉLECTRIQUE Tel qu'indiqué.
- ¼ Tasse d'œufs Brouillés
Placer une tortilla, de façon à bien la centrer, sur la surface inférieure de Cuisson.
- ¼ Tasse de Saucisses à Déjeuner Coupées et Précuites
Étendre le mélange d'œufs brouillés en-deçà de ½ po du rebord de la tortilla. Étendre les morceaux de saucisses uniformément sur la tortilla. Étendre la salsa uniformément, et parsemer le dessus de Cheddar un peu partout sur le dessus.
- ¼ Tasse de Salsa
- ¼ Tasse de Fromage Cheddar Finement Râpé
Placer l'autre tortilla sur le dessus et refermer le couvercle. Cuire tel qu'indiqué de 3 à 7 minutes. Ouvrir le couvercle avec la manique ou la mitaine à four; servir avec de la salsa ou de la sauce piquante.

QUESADILLA PLUS DE BASE

- 2 Tortillas
Préchauffer le APPAREIL POUR QUESADILLAS ÉLECTRIQUE tel qu'indiqué.
- ¼ Tasse de Fromage Râpé Finement (Cheddar, Monterey Jack ou à votre goût)
Placer une tortilla, de façon à bien la centrer, sur la surface inférieure de Cuisson. Distribuer uniformément les choix de fromages sur la tortilla (jusqu'à concurrence de ½ po du rebord de la tortilla).
- ¼ Tasse de Poulet, Boeuf ou Votre Viande Préférée Cuite, Déchiquetée en Petites Lanières ou Morceaux.
Couvrir de viande ou de poulet uniformément sur le dessus de la tortilla.
Ajouter du guacamole ou de l'avocat de façon uniforme partout sur la salsa et le fromage, à votre goût.
- ¼ Tasse de Salsa Préparée
Couvrir d'une deuxième tortilla.
- Guacamole ou Petits Morceaux d'Avocats (facultatif)
Fermer le couvercle et cuire de 3 à 7 minutes, selon votre préférence d'une quesadilla plutôt croustillante ou non ainsi que l'épaisseur de la farce.
Ouvrir le couvercle à l'aide d'une manique ou d'une mitaine à four.
Enlever l'outil de cuisine en plastique ou en bois. Placer sur un plateau de service ou une assiette avec un peu plus de salsa ainsi que de la crème sûre au goût, puis servir.

QUESADILLA VÉGÉTARIENNE

- 2 Tortillas
Préchauffer le APPAREIL POUR QUESADILLAS ÉLECTRIQUE tel qu'indiqué.
- ¼ à ½ Tasse de Poivron, Oignons ou Autre Mélange de Légumes Décongelés Précuits.
Mélanger les légumes et les assaisonnements dans un bol.
Placer une tortilla, de façon à bien la centrer, sur la surface inférieure de Cuisson.
- ½ c. à Thé Assaisonnements Mexicains ou pour Fajitas
Étendre uniformément les légumes mélangés aux assaisonnements, jusqu'à po du rebord de la tortilla.
Fermer le couvercle et cuire de 3 à 7 minutes, selon votre préférence d'une quesadilla plutôt croustillante ou non ainsi que l'épaisseur de la farce.
- ¼ Tasse de Fromage Cheddar Râpé et/ ou Salsa Préparée.
Couper en triangles; servir avec de la crème sûre et de la salsa.

QUESADILLA AU BEURRE D'ARACHIDES ET CONFITURE

- 2 Tortillas
 - 2 c. à Table de Beurre d'Arachides
 - 1 à 2 c. à Table de Confiture de Fruits ou des Réserves
- Préchauffer le APPAREIL POUR QUESADILLAS ÉLECTRIQUE tel qu'indiqué.
- Étendre uniformément une épaisse couche de beurre d'arachides sur une tortilla et rajouter une couche de confiture de fruits ou réserves, au choix, sur l'autre tortilla.
- Faire attention à bien placer la première tortilla sur la surface inférieure de cuisson, avec le beurre d'arachides vers le haut.
- Placer la deuxième tortilla sur le dessus, avec la confiture vers le bas.
- Fermer le couvercle et cuire de 3 à 7 minutes selon l'épaisseur ou selon votre goût pour l'effet croustillant désiré. Couper en triangles; servir avec un peu de miel une dent plus sucrée.
- Soyez à l'aide de couper des tranches de fruits, tels des bananes, si vous avez l'esprit créatif.

QUESADILLA DESSERT DÉLICIEUSE

- 2 Tortillas
 - 2 c. à Table de Nutella®
 - ¼ Tasse de Bananes en Rondelles
 - ½ Tasse de Fraises
 - 1 c. Thé de Sucre à Glacer
- Préchauffer le APPAREIL POUR QUESADILLAS ÉLECTRIQUE tel qu'indiqué.
- Étendre une épaisse couche de Nutella® sur une tortilla.
- Placer la tortilla sur la surface de cuisson, en vous assurant que le Nutella® est vers le haut.
- Étendre les tranches de bananes en-deçà de 1/2 po du rebord de la tortilla.
- Placer l'autre tortilla sur le dessus et refermer le couvercle. Fermer le couvercle et cuire de 3 à 7 minutes. Ouvrir le couvercle à l'aide d'une manique ou d'une mitaine à four.
- Faire une garniture de fraises et saupoudrer d'un peu de sucre à glacer.

RETOURS ET GARANTIE

SI VOTRE APPAREIL NE FONCTIONNE PAS OU S'IL EST ENDOMMAGÉ QUAND VOUS LE RETIREZ DE LA BOÎTE, VEUILLEZ LE RETOURNER IMMÉDIATEMENT À L'ENDROIT OÙ IL A ÉTÉ ACHETÉ.

APPAREIL POUR QUESADILLAS ÉLECTRIQUE / TCTEQM8RD

Pour toute question, communiquer par courriel ou au numéro de téléphone du service à la clientèle, entre 08 h 00 et 17 h 00, du lundi au vendredi, heure normale du Centre.

Distribué par :

Nostalgia Products LLC
1471 Partnership Dr.
Green Bay, WI 54304-5685
Service à la clientèle
Téléphone : (920) 347-9122
Site Web : www.nostalgiaproducts.com

Demande pour le service à la clientèle

Pour soumettre une demande au service à la clientèle, rendez vous au www.nostalgiaproducts.com puis remplissez le formulaire de demande au service à la clientèle puis cliquez sur le bouton Soumettre.

Un représentant vous contactera dès que possible.

Conditions de garantie du produit

Le groupe Nostalgia Products LLC (référé tel « l'Entreprise ») garantit que pour une période d'un (1) an en date d'achat, ce produit est sans défaut de matériel et de fabrication selon une utilisation normale à domicile, seulement si le fonctionnement et l'entretien du produit sont conformes aux directives fournies. À titre de réparation exclusive et entière sous cette garantie, l'Entreprise pourra à sa discrétion, réparer ou remplacer le produit défectueux, voire émettre un remboursement du produit durant la période couverte sous garantie. Cette garantie n'est disponible seulement qu'à l'acheteur d'origine du produit, en date d'achat au détail dudit produit et sera valide uniquement avec le reçu de caisse d'origine, à titre de preuve d'achat, lequel est requis pour obtenir les bienfaits reliés à cette garantie. Toute réclamation doit être rapportée à l'attention de l'Entreprise dans la fenêtre de la période de la garantie, sans dépasser 30 jours à défaut de performance. Cette garantie ne couvre pas l'usure normale ou dommage cause par l'expédition, la mauvaise manipulation, la mauvaise utilisation, les accidents, les modifications, les mauvaises pièces de remplacement, voire toute autre utilisation anormale du produit à domicile. Il est possible que vous ayez à retourner le produit (avec les frais de retour prépayés par vous) pour une inspection et une évaluation. Les frais des coûts de retour ne sont pas remboursables. L'Entreprise n'est aucunement responsable pour les retours endommagés ou perdus en transit. Autrement que spécifiquement permis selon les directives de fonctionnement, cette garantie s'applique à une utilisation à domicile à d'intérieur seulement. Afin d'obtenir un service couvert sous cette garantie, veuillez contacter l'Entreprise au numéro de téléphone inclut ci-haut ou en remplissant le formulaire de demande au service à la clientèle, sur le site www.nostalgiaproducts.com. La garantie est valide seulement aux États-Unis et au Canada.

Cette garantie prévaut toute autre garantie, expresse ou implicite incluant les garanties de qualité marchande ou ayant une aptitude pour une intention en particulier, lesquelles sont exclues selon la loi. Sous aucun prétexte l'Entreprise ne pourra être tenue responsable pour tout dommage indirect, accidentel, consécutif ou spécial provenant de ou en relation avec ce produit ou son utilisation. Certains états, provinces ou juridictions n'allouent pas l'exclusion ou la limitation de tels dommages accidentels ou consécutifs, donc l'exclusion ou limitation suscitée peut ne pas s'appliquer à vous.

Cette garantie ne s'applique pas à la marchandise de renaissance.

Veillez lire les directives de fonctionnement attentivement. Ne pas se conformer aux directives de fonctionnement annulera cette garantie.

Pour plus d'informations, visitez notre site Web à www.nostalgiaproducts.com.

Aimez-nous sur Facebook à l'adresse [www.facebook.com / NostalgiaElectrics](http://www.facebook.com/NostalgiaElectrics).

Suivez nos conseils sur Pinterest à [www.pinterest.com / nostalgialctrx](http://www.pinterest.com/nostalgiaelctrx).

Tweet avec nous sur Twitter à l'adresse [www.twitter.com / NostalgiaElctrx](http://www.twitter.com/NostalgiaElctrx).

