

# NOSTALGIA™

---

P R O D U C T S



All products are trademarks of Nostalgia Products LLC.  
Worldwide design & utility patented or patents pending.  
© 2018 Nostalgia Products LLC.

[www.nostalgiaproducts.com](http://www.nostalgiaproducts.com)

(rev. 07/18/18 DL)

# NOSTALGIA™



SCC399COKE

## Coca-Cola® Snow Cone Cart Carrito de Conos de Nieve Chariot Pour Cornet Glacé

Instructions and Recipes  
Instrucciones y Recetas  
Consignes et Recettes



Make every day a party!  
Visit [www.nostalgiaproducts.com](http://www.nostalgiaproducts.com) for more fun products.

## CONTENTS

SAFETY . . . . .	2
IMPORTANT SAFEGUARDS . . . . .	3
ADDITIONAL IMPORTANT SAFEGUARDS . . . . .	3
INTRODUCTION . . . . .	4
PARTS & ASSEMBLY . . . . .	5
HOW TO OPERATE . . . . .	10
HELPFUL TIPS . . . . .	11
CLEANING & MAINTENANCE . . . . .	11
RECIPES . . . . .	13
RETURNS & WARRANTY . . . . .	15

## SAFETY

Your safety and the safety of others is very important.

We have provided many important safety messages in this manual and on your appliance. Always read and obey all safety messages.



This is the safety alert symbol.

This symbol alerts you to potential hazards that can cause serious injury to you and others.

All safety messages will follow the safety alert symbol.

All safety messages will tell you what the potential hazard is, tell you how to reduce the chance of injury, and tell you what can happen if the instructions are not followed.

### Appliance Specifications:

120 Volts, 60 Hz

100 Watts



THIS PRODUCT IS FOR USE IN 120V AC OUTLET ONLY.

Refer to [www.nostalgiaproducts.com/user-manuals/](http://www.nostalgiaproducts.com/user-manuals/) for the most updated manual.

## IMPORTANT SAFEGUARDS

**A person who has not read and understood all operating and safety instructions is not qualified to operate this appliance. All users of this appliance must read and understand this Instruction Manual before operating or cleaning this appliance.**

**When using electrical appliances, basic safety precautions should always be followed, including:**

1. **Read all instructions before operating this appliance.**
2. DO NOT TOUCH the hot surfaces. Use handles or knobs.
3. This appliance is NOT A TOY.
4. Unsupervised young children and cognitively challenged individuals should never operate this appliance.
5. Close supervision is necessary when any appliance is used by or near children.
6. To protect against electrical shock do not immerse cord, plug or any part of this unit in water or other liquids.
7. Unplug from outlet when not in use, before removing parts and before cleaning. Allow to cool before putting on or taking off any parts, and before cleaning.
8. DO NOT operate any appliance with a damaged cord or plug, or after the appliance malfunctions, or if the appliance has been damaged in any manner. Return the appliance to the nearest repair shop for examination, repair or adjustment.
9. The manufacturer does not recommend the use of accessory attachments other than what is provided by the manufacturer. Use of attachments may cause injuries.
10. DO NOT use the appliance for other than its intended use.
11. DO NOT use outdoors. FOR HOUSEHOLD USE ONLY.
12. DO NOT place on or near a hot gas or electric burner, or in a heated oven.
13. DO NOT let cord hang over edge of table or counter, or touch hot surfaces.
14. NEVER leave unit unattended while in use or when plugged into an outlet.
15. Always attach plug to appliance first, then plug cord in the wall outlet. To disconnect, turn any control to "off," then remove plug from wall outlet.

## ADDITIONAL IMPORTANT SAFEGUARDS

### **Operating Safety Precautions**

1. Blade is VERY sharp. Use EXTREME CAUTION when handling.
2. Avoid contact with moving parts. NEVER put fingers or utensils into feed or discharge areas.
3. Keep hands away from blade mechanism. Use handles or knobs.
4. Unplug from outlet when not in use, before removing parts and before cleaning.
5. Check the ice hopper for presence of foreign objects prior to use.

### Instructions for the Electrical Cord and Plug

1. ELECTRICAL SHOCK HAZARD: Failure to follow these instructions can result in death, fire, or electrical shock.
  - Plug into a grounded 3 prong outlet.
  - DO NOT remove ground prong.
  - DO NOT use an adapter.
  - DO NOT use an extension cord.
2. This unit **MUST** be grounded. In the event of an electrical short circuit, grounding reduces the risk of electric shock by providing an escape wire for the electric current. This unit is equipped with a cord having a grounding wire with a grounding plug. The plug must be plugged into an outlet that is properly installed and grounded.
3. **WARNING:** Improper use of the grounding plug can result in a risk of electric shock. **If the plug does not fit fully into the outlet, contact a qualified electrician. Do not attempt to modify the plug in any way.**
4. A short power supply cord is provided to reduce the risk resulting from becoming entangled or tripping over a long cord.
5. The manufacturer does not recommend using this machine in countries that do not support 120V AC even if a voltage adapter, transformer, or converter is in use.

## SAVE THESE INSTRUCTIONS!

## INTRODUCTION

The COCA-COLA® SNOW CONE CART is a fun, easy to use appliance. Use ice cubes from your own freezer to shave and craft refreshing snow cones for any occasion. The handy storage compartment is ideal for storing syrups, extra cones and other supplies. Standing 48" tall, this snow cone cart is perfect for large groups, parties and events such as fundraisers.

Use the machine to create mounds of shaved ice for smoothies, fruit-flavored slushies, other dessert treats, or to chill beverages. See the recipe section of this manual for more fun ideas on how to enjoy your COCA-COLA® SNOW CONE CART.

### Features include:

- Tempered Windows
- Wheels and Cart Handle for easy portability
- Storage Compartment

Visit [www.nostalgiaproducts.com](http://www.nostalgiaproducts.com) to find out which kits and accessories are available for this product!

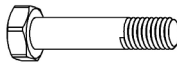
# PARTS & ASSEMBLY

Please ensure that you have removed all of the hardware and parts listed before discarding packaging. In our efforts to reduce packaging, we maximize the packing material to protect your new purchase. As a result, small parts may not be readily visible.

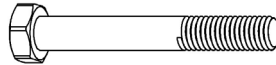
## Hardware



#1 Bolt (10mm)  
Qty. 10



#2 Bolt (38mm)  
Qty. 2



#3 Bolt (60mm)  
Qty. 2



#4 Screw (10mm)  
Qty. 4



#5 Screw (15mm)  
Qty. 2



#6 Flat Washer (6mm)  
Qty. 10



#7 Flat Washer (8mm)  
Qty. 8



#8 Locking Washer  
Qty. 2



#9 Magnet  
Qty. 1



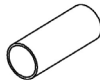
#10 Nut Cap  
Qty. 2



#11 Nut  
Qty. 2



#12 Door Handle  
Qty. 1



#13 Sleeve Barrel  
Qty. 2

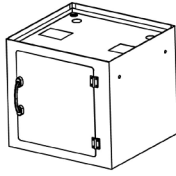


#14 Base Foot  
Qty. 2

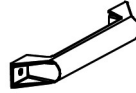
Parts



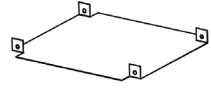
(A) Main Unit



(B) Storage Compartment



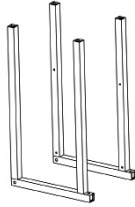
(C) Push Handle



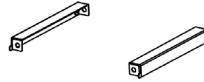
(D) Bottom Plate



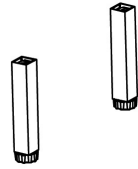
(E) Wheel  
Qty. 2



(F) Base Support  
Qty. 2



(G) Cross Bar  
Qty. 2



(H) Leg  
Qty. 2



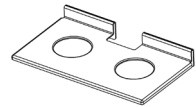
(I) Ice Shovel



(J) Wrench  
Qty. 2



(K) Disassembly Tool



(L) Cone Holder

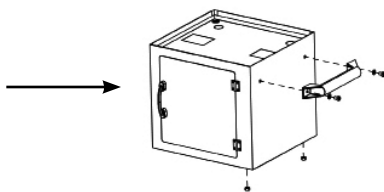


(M) Blade

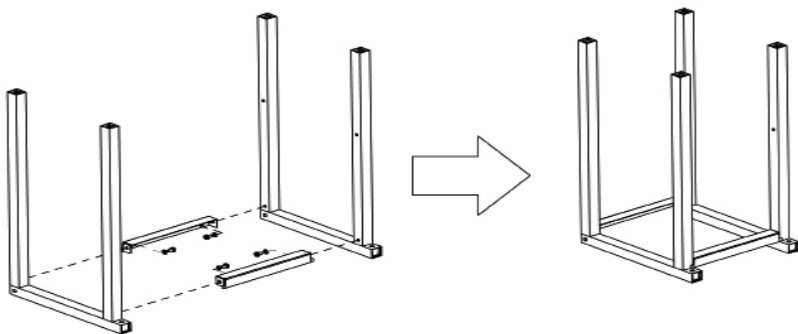


## Assembly of Base Support

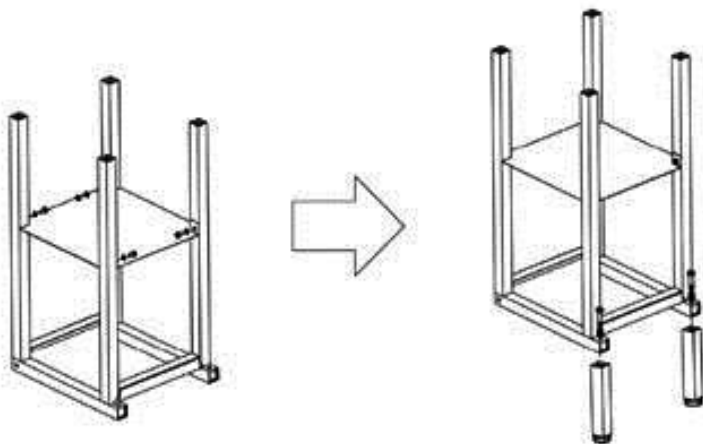
1. Attach Push Handle (C) from inside Storage Compartment (B) using two #1 Bolts and two #6 Flat Washers. Attach two #11 Nuts to bottom.



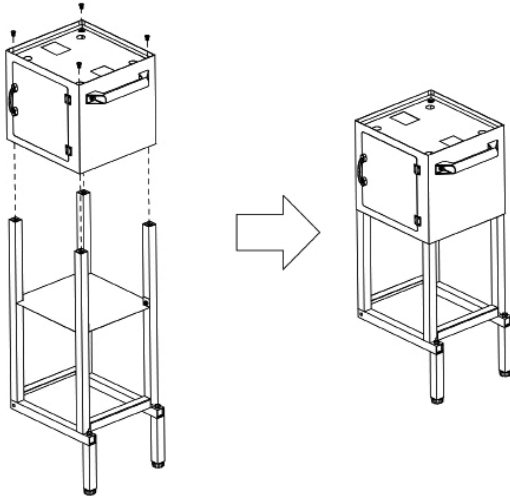
2. Attach Cross Bar (G) to Base Support (F) and secure with four #1 Bolts and four #6 Flat Washers.



3. Secure Bottom Plate (D) to Base Support (F) using four #1 Bolts and four #6 Flat Washers.
4. Attach Legs (H) to protruding ends of Base Support (F) using two #2 Bolts, two #7 Flat Washers and two #8 Locking Washers.

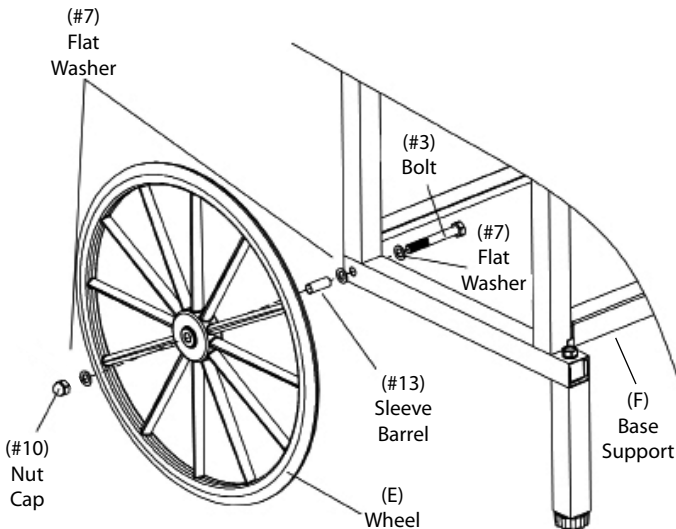


5. Assemble Base Support (F) into the bottom of the Storage Compartment (B) and secure with four #4 Screws.

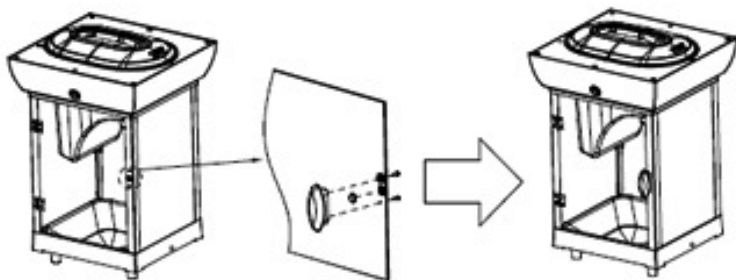


### Assembly of Wheels

1. Place #7 Flat Washer onto #3 Bolt and insert into pre-drilled hole on inside of Base Support (F).
2. Put #7 Flat Washer and #13 Sleeve Barrel on end of inserted #3 Bolt.
3. Attach the Wheel (E) to the #3 Bolt. Place #7 Flat Washer on Wheel (E). Use the end of Wrench (J) with small notch to hold the #3 Bolt in place. While holding #3 Bolt in place, tighten the #10 Nut Cap with Wrench (J).
4. Repeat on other side, following the directions above.



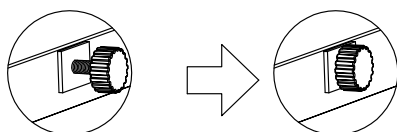
## Attaching Door Handle



1. Attach #9 Magnet to transparent door of Main Unit (A).
2. Place #12 Door Handle using two #5 Screws.
3. Place Main Unit (A) onto the top of the Storage Compartment (B).
4. Ensure that the two inserting pins at the bottom of the Main Unit (A) line up correctly so that Main Unit (A) can be locked under the beam of the Storage Compartment (C).

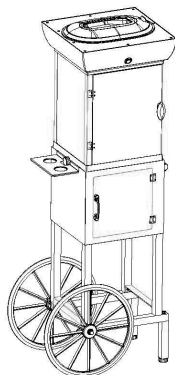
## Locking Main Unit to Storage Compartment

Place the Main Unit (A) onto the Storage Compartment (B) so that the two side holes match up. Lock by tightening the Lock Screws as shown below:



## Attaching Cone Holder

Attach Cone Holder (L) to opposite side of Cart Handle or opposite side of Base Door.



# HOW TO OPERATE



Before first use, clean the inside of the unit by wiping with a moist, non-abrasive sponge, towel or cloth and then wipe with a non-abrasive dry towel.

1. First, find a flat surface near an electrical outlet before starting. Make sure your cord is away from any water source. It is acceptable to use an extension cord if needed.
2. Before plugging in the unit, add ice cubes by removing the clear lid from the Main Unit of your COCA-COLA® SNOW CONE CART. To remove the lid, simply push the release button on the lid, lift and remove.
3. Plug in the appliance while switch is flipped to OFF position.
4. When ice cubes are ready, place cubes in the shaving unit while allowing enough room for the lid to be placed back on the unit easily. Never force it shut.
5. Return the clear lid to the unit and turn the power button to the ON position. This will activate the unit to begin shaving. Please note that the ice will not shave unless the lid is properly secured.
6. Repeat steps 2 and 3 until you have shaved the amount of ice desired. Turn unit OFF and then unplug when you are finished.
7. Once you have the desired amount of ice, open the housing door on the Main Unit to retrieve your ice and create your favorite snow-based treats!

## HELPFUL TIPS

### Ice

For optimal ice shaving results, ice cubes should sit out of the freezer, in a bowl, for about 10 minutes before putting them into the shaving unit. If ice is frosty in appearance, it is too hard to shave. When ice is clear and wet to the touch, then it is ready to shave.

## CLEANING & MAINTENANCE

1. Make sure appliance is turned off and unplugged before cleaning.
2. Open the housing door to clean and dry the inside of the unit using a slightly damp, non-abrasive cloth or sponge.
3. Wipe the outside of the unit using a slightly damp, non-abrasive cloth or sponge, then dry with a non-abrasive towel.
4. The shaving unit and clear lid are dishwasher safe. To take out the shaving unit, refer to steps on page 11.

### Replacing the Blade

When your COCA-COLA® SNOW CONE CART blade becomes dull after a long period of normal use, replace it with the included Replacement Blade and Tool. Should you need additional blades, you can order them directly from the manufacturer.



Blade Housing

Blade (M)

Blade Cap

Spinner



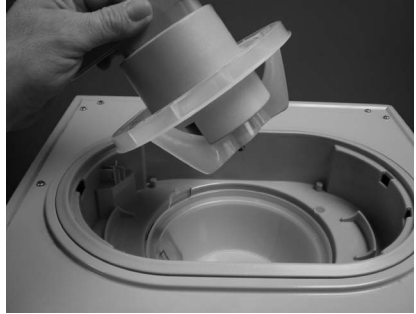
**The blade is VERY sharp. Use EXTREME CAUTION when handling.**

## Steps to Replace the Blade

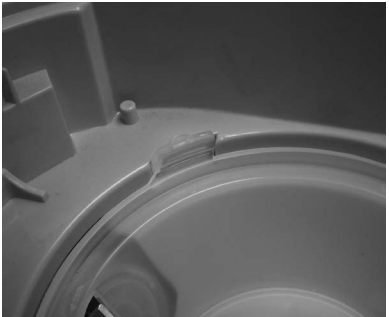
1. Remove the Ice Tray and insert the Disassembly Tool (K) over the three arms of the Spinner.



2. Once the Disassembly Tool (K) is properly inserted, twist counter-clockwise (as the arrow shows) and lift the Spinner out.



3. Carefully press the tabs of the Blade Housing inward and lift up to release.



4. Twist off the Blade Cap and, using extreme caution, remove the Blade Cartridge. Insert the replacement Blade Cartridge, and reverse the above steps to reassemble. **USE EXTREME CAUTION. BLADE IS VERY SHARP.**
5. When replacing the Spinner, reverse all steps and make sure to lock Spinner using the Disassembly Tool.

# RECIPES

The COCA-COLA® SNOW CONE CART makes light, fluffy mounds of ice. Use different fruits, syrups, teas, and juices to create a number of refreshing, icy, low-fat treats, drinks and desserts.

## BOTTLED SYRUP CONCENTRATE

- 19 oz. Warm Water      Put 19 ounces of warm water into a one quart (or larger) bottle.
  - 2¾ Cups Sugar (1.25 lb.)      Using a funnel, add 2¾ cups of sugar to the water.
  - 1 oz. Food Coloring      Screw cap on tightly. Shake bottle until sugar dissolves.
  - 1 qt. Empty Bottle      Add 1 ounce of food coloring. Shake until mixed.
- Now you can add your favorite flavor to syrup.
- \*To make sugar-free concentrate, use your choice of powdered sugar substitute in place of sugar.

## SOUR SYRUP

- 1 oz. Liquid Citric Acid      Put 1 ounce of liquid citric acid and 1 ounce of flavor concentrate (grape, cherry, strawberry, watermelon, apple or lemon work well) into a one quart (or larger) bottle.
- 1 oz. Flavor Concentrate
- 1 qt. Simple Syrup      Fill the rest of the bottle with simple syrup (you can use the recipe above for bottled syrup concentrate).
- 1 oz. Food Coloring      Add one ounce of food coloring.
- 1 qt. Empty Bottle      Screw cap on tightly. Shake bottle until well mixed.

## CHOCOLATE SYRUP

- 15 oz. Simple Syrup      Pour ingredients into a 1 quart or larger bottle.
- 15 oz. Chocolate Syrup      Screw cap on tightly. Shake bottle until well mixed.

## CREAM SYRUP

- 4 oz. Evaporated Milk      Pour 4 ounces of evaporated milk into 1 quart bottle.
  - Simple Syrup      Top off with simple syrup.
  - 1 oz. Flavored Syrup      Add 1 ounce of flavoring.
- Screw on cap and shake until well mixed. Keep refrigerated.

**PEACH SPRITZER**

- 2 Cups Peach Seltzer      Fill a cup halfway with freshly shaved ice.
- 2 Tbsp. Freshly Squeezed Orange Juice      Pour peach seltzer and orange juice over ice.
- 1 Packet of Sugar Substitute      Empty packet of sugar substitute into cup.
- 1 Packet of Sugar Substitute      Stir until well blended.
- Add additional ice if desired, until cup is full.
- Serves one.

**VANILLA SNOW**

- 3 Scoops of Vanilla Ice Cream      Put scoops of ice cream in a bowl.
- Shaved Ice      Shovel shaved ice over ice cream to create a mound.
- Vanilla Flavored Syrup      Squirt vanilla flavored syrup over shaved ice and serve.
- (Try this recipe with other ice cream and syrup flavors.)

**ROOT BEER FLOAT SLUSH**

- 2 Scoops of Vanilla Ice Cream      Freeze a mug until it is cold and frosty.
- Shaved Ice      Put 2 scoops of vanilla ice cream into beer mug.
- Root Beer      Scoop shaved ice into mug, leaving three fingers of space at the top.
- Pour root beer into mug until full.
- Serves one.

**FROZEN MARGARITA**

- 1 Cup Shaved Ice      Put salt in a saucer. Rub rim of margarita glass with a lime wedge and dip glass into salt, coating rim thoroughly. Set lime aside.
- 3 oz. Tequila
- 1 oz. Triple Sec      Fill margarita glass with shaved ice.
- 2 oz. Lime Juice      Pour tequila, triple sec and lime juice into glass.
- 1 Lime Wedge      Stir well and garnish with lime wedge.
- 2 Tsp. Coarse Salt      Serves one.



# RETURNS & WARRANTY

SHOULD YOUR UNIT NOT WORK OR IF DAMAGED WHEN YOU FIRST TAKE IT OUT OF THE BOX, PLEASE RETURN IT TO THE PLACE OF PURCHASE IMMEDIATELY.

## COCA-COLA® SNOW CONE CART / SCC399COKE

Should you have any questions, please contact us via email or at the customer service number listed below between the hours of 8:00 AM and 5:00 PM, Monday through Friday, Central Standard Time.

### Distributed by:

Nostalgia Products LLC  
1471 Partnership Dr.  
Green Bay, WI 54304-5685  
Customer Service  
Phone: (920) 347-9122  
Web: [www.nostalgiaproducts.com](http://www.nostalgiaproducts.com)

### Customer Service Inquiry

To submit a Customer Service inquiry, go to [www.nostalgiaproducts.com](http://www.nostalgiaproducts.com) and fill out the Customer Service Inquiry form and click the Submit button.

A representative will contact you as soon as possible.

### Product Warranty Terms

Nostalgia Products LLC (the "Company") hereby warrants that for a period of one (1) year from the date of original purchase, this product will be free of defects in material and workmanship under normal home use, provided that the product is operated and maintained in accordance with the operating instructions. As the sole and exclusive remedy under this warranty, the Company will at its discretion either repair or replace the product found to be defective, or issue a refund on the product during the warranty period. This warranty is only available to the original retail purchaser of the product from the date of initial retail purchase, and is only valid with the original sales receipt, as proof of purchase date is required to obtain warranty benefits. All warranty claims must be brought to the attention of the Company within the warranty period and no later than 30 days of the failure to perform. This warranty does not cover normal wear or damage caused by shipping, mishandling, misuse, accident, alteration, improper replacement parts, or other than ordinary household use. You may be required to return the product (with shipping prepaid by you) for inspection and evaluation. Return shipping costs are not refundable. The Company is not responsible for returns damaged or lost in transit. Unless otherwise specifically permitted by the operating instructions, this warranty applies to indoor household use only. In order to obtain service under this warranty, please contact the Company at the telephone number listed above or by filling out the Customer Service Inquiry Form located at [www.nostalgiaproducts.com](http://www.nostalgiaproducts.com). Warranty valid only in USA and Canada.

This warranty is in lieu of all other warranties, expressed or implied, including warranties of merchantability and fitness for a particular purpose, which are hereby excluded to the extent permitted by law. In no event shall the Company be liable for any indirect, incidental, consequential, or special damages arising out of or in connection with this product or the use thereof. Some states, provinces or jurisdictions do not permit the exclusion or limitation of incidental or consequential damages, so the foregoing exclusion or limitation may not apply to you.

### This warranty does not apply to re-manufactured merchandise.

Please read the operating instructions carefully. Failure to comply with the operating instructions will void this warranty.

### For more information, visit us online at [www.nostalgiaproducts.com](http://www.nostalgiaproducts.com).

Like us on Facebook at [www.facebook.com/NostalgiaElectrics](http://www.facebook.com/NostalgiaElectrics).

Follow our boards on Pinterest at [www.pinterest.com/nostalgiaelctr](http://www.pinterest.com/nostalgiaelctr).

Tweet along with us on Twitter at [www.twitter.com/NostalgiaElctr](http://www.twitter.com/NostalgiaElctr).

¡Haga de cada día una fiesta!  
Visite **www.nostalgiaproducts.com** para  
ver más productos divertidos.

## CONTENIDO

SEGURIDAD . . . . .	16
PROTECCIONES IMPORTANTES . . . . .	17
PROTECCIONES IMPORTANTES ADICIONALES . . . . .	17
INTRODUCCIÓN . . . . .	18
PIEZAS Y ENSAMBLAJE . . . . .	19
FUNCIONAMIENTO . . . . .	24
CONSEJOS ÚTILES . . . . .	25
LIMPIEZA Y MANTENIMIENTO . . . . .	25
RECETAS . . . . .	27
DEVOLUCIONES Y GARANTÍA . . . . .	29

## SAFETY

Su seguridad y la de otras personas es muy importante.

Hemos proporcionado numerosos mensajes de seguridad importantes en este manual y en su electrodoméstico. Siempre lea y obedezca todos los mensajes de seguridad.



Este es el símbolo de alerta de seguridad.

Este símbolo le avisa de los peligros potenciales que pueden provocar serias lesiones a usted y a otros.

Todos los mensajes de seguridad estarán precedidos por el símbolo de alerta.

Todos los mensajes de seguridad le dirán de qué peligro potencial se trata, cómo reducir la posibilidad de lesiones y qué puede ocurrir si no se obedecen las instrucciones.

### Especificaciones del Electro Doméstico:

120 Volts, 60 Hz

100 Watts



ESTE PRODUCTO SÓLO DEBE USARSE CON UN TOMACORRIENTE DE 120V CA.

Visite **www.nostalgiaproducts.com/user-manuals/** para que vea el manual más actualizado.



## PROTECCIONES IMPORTANTES

**Una persona que no haya leído y comprendido todas las instrucciones de uso y seguridad no está calificada para utilizar este aparato. Todos los usuarios de este dispositivo deben leer y comprender este Manual de instrucciones antes de utilizar o limpiar este aparato.**

**Cuando se utiliza aparatos eléctricos, siempre se deben seguir algunas medidas básicas de seguridad que incluyen las siguientes:**

1. **Lea todas las instrucciones antes de utilizar este aparato.**
2. NO TOQUE las superficies calientes. Use agarraderas o mangos.
3. Este aparato NO ES UN JUGUETE.
4. Sin supervisión los niños ni las personas con discapacidad intelectual nunca deben usar este aparato.
5. Una supervisión estricta se requiere cuando un aparato se use por niños o cerca de ellos.
6. Como medida de protección contra el riesgo de descarga eléctrica, no sumerja el cable, los enchufes ni ninguna otra parte de la unidad en agua ni en otros líquidos.
7. Desconéctelo del tomacorriente cuando no esté en uso, antes de retirar piezas y antes de la limpieza. Déjelo enfriar antes de colocar o retirar cualquiera de las piezas, y antes de la limpieza.
8. NO utilice ningún aparato con el cable o el enchufe dañados, ni después de que el aparato funcione mal o SI el aparato se ha dañado de cualquier manera. Devuelva el aparato al taller de reparación más cercano para su reparación o ajuste.
9. El fabricante no recomienda el uso de aditamentos accesorios diferentes de los proporcionados por el fabricante. El uso de accesorios puede provocar lesiones.
10. NO utilice el aparato para usos no previstos.
11. NO utilice el aparato al aire libre. SÓLO PARA USO DOMÉSTICO.
12. NO lo coloque sobre una hornilla caliente, ni eléctrica ni de gas, ni en un horno caliente ni cerca de ninguno de estos.
13. NO permita que el cable cuelgue sobre el borde de la mesa o del mostrador, ni que toque superficies calientes.
14. NUNCA deje la unidad desatendida mientras esté en uso ni cuando esté enchufada a una toma de corriente.
15. Siempre conecte primero el enchufe al aparato, luego enchufe el cable a la toma de corriente. Para desconectar, mueva todos los controles a "apagado", luego retire el enchufe del tomacorriente.



## PROTECCIONES IMPORTANTES ADICIONALES

### Precauciones de seguridad operativa

1. La cuchilla está MUY afilada. Actúe con EXTREMA PRECAUCIÓN cuando la manipule.
2. Evite el contacto con partes en movimiento. NUNCA ponga los dedos ni coloque utensilios en las áreas de alimentación o descarga.
3. Mantenga las manos alejadas del mecanismo de la cuchilla. Use agarraderas o mangos.
4. Desconéctelo del tomacorriente cuando no esté en uso, antes de retirar piezas y antes de la limpieza.
5. Antes del uso, revise la tolva de hielo por si contiene objetos extraño.

## Instrucciones para el cable eléctrico y el enchufe

1. RIESGO DE DESCARGA ELÉCTRICA: El incumplimiento de estas instrucciones puede resultar en la muerte, incendio o descarga eléctrica.
  - Enchufe en un tomacorrientes de 3 patas con conexión a tierra.
  - NO retire la patilla de conexión a tierra.
  - NO utilice un adaptador.
  - NO utilice un cable de extensión.
2. La unidad DEBE conectarse a tierra. En caso de un corto circuito, la conexión a tierra reduce el riesgo de descarga eléctrica al proporcionar un cable de escape para la corriente eléctrica. Esta unidad está provista de un cable que tiene un cable a tierra con un enchufe a tierra. Se debe enchufar en un tomacorriente de pared instalado apropiadamente y conectado a tierra.
3. ADVERTENCIA: El uso incorrecto de la toma de tierra puede resultar en riesgo de sufrir una descarga eléctrica. **Si el enchufe no entra completo en el tomacorriente, contacte a un electricista calificado. No trate de modificar el enchufe de ninguna manera.**
4. Se provee un cable de alimentación corto para reducir el riesgo resultante de enredarse o tropezar con un cable largo.
5. El fabricante no recomienda el uso de esta máquina en países que no admiten 120V CA incluso si se está usando un adaptador, transformador o convertidor de voltaje.

# ¡ GUARDE ESTAS INSTRUCCIONES!

## INTRODUCCIÓN

El CARRITO DE CONOS DE NIEVE es un aparato divertido y fácil de usar. Use cubos de hielo de su propio congelador para rasparlos y hacer conos de nieve refrescantes para cualquier ocasión. El compartimiento de almacenamiento, que está a mano, es ideal para guardar siropes, conos extras y otros suministros. Con una altura de 48", este carrito de conos de nieve es perfecto para grandes grupos, fiestas y eventos tales como para la recaudación de fondos.

Con infinitas variedades de sabor, los conos de nieve siempre han sido increíblemente divertidos de comer. Use la máquina para crear montículos de hielo raspado para batidos de fruta, nieve espesa con sabor a frutas, otros platos de postre o para enfriar bebidas. Consulte la sección de recetas de este manual para ver más ideas divertidas de cómo disfrutar de su CARRITO DE CONOS DE NIEVE.

Las características incluyen:

- Ventanillas templadas
- Ruedas y agarradera de empuje para una portabilidad más fácil
- Compartimiento de almacenamiento

¡Visite [www.nostalgiaproducts.com](http://www.nostalgiaproducts.com) para que descubra los paquetes y accesorios disponibles para este producto!

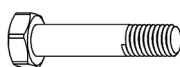
# PIEZAS Y ENSAMBLAJE

Asegúrese de haber extraído todos los accesorios y piezas enumeradas antes de desechar el embalaje. En nuestros esfuerzos para reducir el embalaje, maximizamos el material de embalaje para proteger su nueva compra. Como resultado de eso, es posible que las piezas pequeñas no se vean fácilmente.

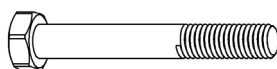
## Accesorios



No. 1 Perno (10 mm)  
Cant. 10



No. 2 Perno (38 mm)  
Cant. 2



No. 3 Perno (60 mm)  
Cant. 2



No. 4 Tomillo (10 mm)  
Cant. 4



No. 5 Tomillo (15 mm)  
Cant. 2



No. 6 Arandela plana  
(6 mm) Cant. 10



No. 7 Arandela plana  
(8 mm) Cant. 8



No. 8 Arandela de presión  
Cant. 2



No. 9 Imán  
Cant. 1



No. 10 Tapa de tuerca  
Cant. 2



No. 11 Tuerca  
Cant. 2



No. 12 Agarradera de puerta  
Cant. 1



No. 13 Manguito  
Cant. 2

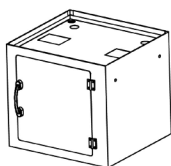


No. 14 Pata de base  
Cant. 2

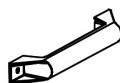
## Partes



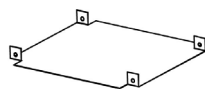
(A) Unidad principal



(B) Compartimiento de almacenamiento



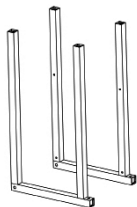
(C) Agarradera para empujar



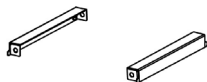
(D) Placa interior



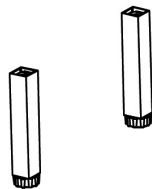
(E) Rueda  
Cant. 2



(F) Soporte de base  
Cant. 2



(G) Barra transversal  
Cant. 2



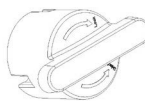
(H) Pata  
Cant. 2



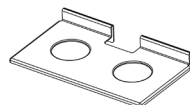
(I) Pala para hielo



(J) Llaves  
Cant. 2



(K) Herramienta de desensamblaje



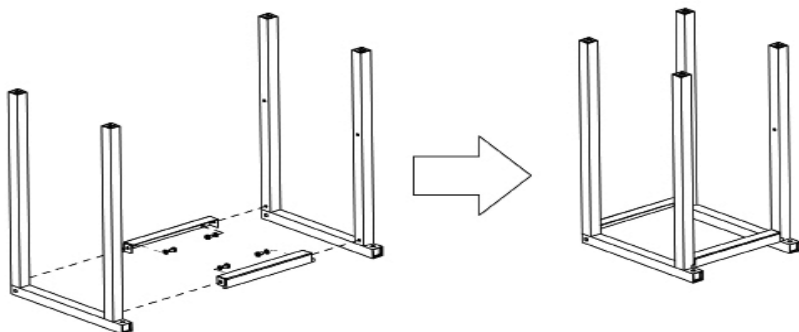
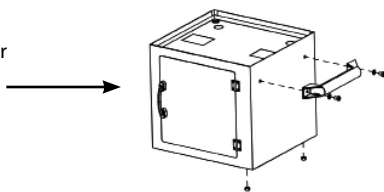
(L) Soporte de conos



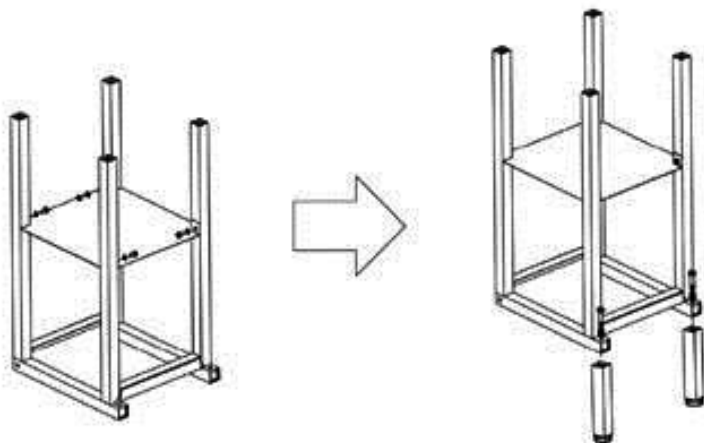
(M) Cuchilla

## Ensamblaje del soporte de base

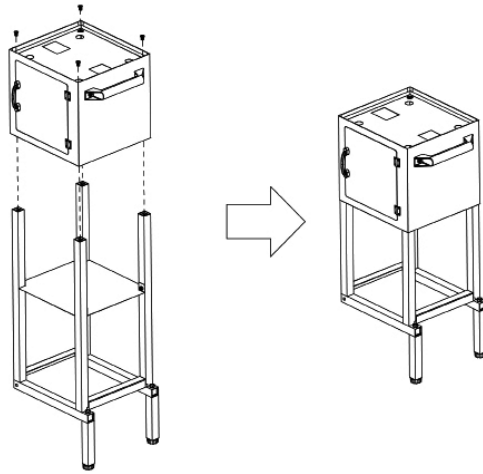
1. Fije la Agarradera de empujar (C) desde el interior del Compartimiento de almacenamiento (B) usando dos Pernos No. 1 y dos Arandelas planas No. 6. Coloque dos Tuercas No. 11 en la parte inferior.
2. Fije la Barra transversal (G) al Soporte de base (F) y asegúrela con cuatro Pernos No. 1 y cuatro Arandelas planas No. 6.



3. Asegure la Placa inferior (D) al Soporte de base (F) usando cuatro Pernos No.1 y cuatro Arandelas planas No. 6.
4. Fije las Patas (H) a los extremos sobresalientes del Soporte de base (F) usando dos Pernos No. 2, dos Arandelas planas No. 7 y dos Arandelas de presión No. 8.

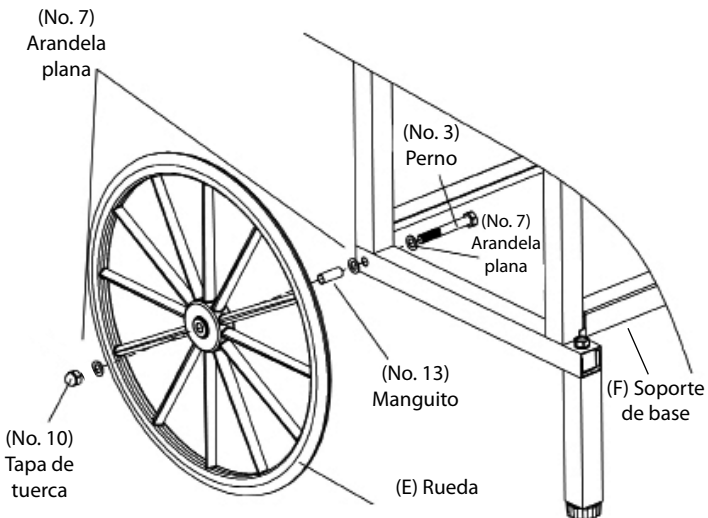


5. Ensamble el Soporte de base (F) en la parte inferior del Compartimiento de almacenamiento (B) y asegúrelo con cuatro Tornillos No. 4.



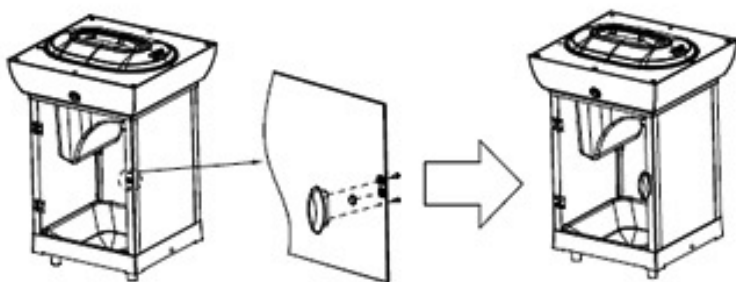
### Ensamblaje de las ruedas

1. Coloque una Arandela plana No. 7 en un Perno No. 3 e insértelo en el agujero abierto en el interior del Soporte de base (F).
2. Ponga una Arandela plana No. 7 y un Manguito No. 13 en el extremo del Perno No. 3.
3. Coloque la Rueda (E) en el Perno No. 3. Coloque una Arandela plana No. 7 en la Rueda (E). Use el extremo de la Llave (J) con la muesca pequeña para sujetar en su lugar el Perno No. 3. Mientras sujeta el Perno No. 3 en su lugar, apriete la Tapa de tuerca No. 10 con la Llave (J).
4. Repita las instrucciones anteriores en el otro lado.





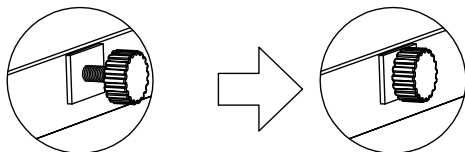
## Colocación de la Agarradera de la puerta



1. Fije el Imán No. 9 en la puerta transparente de la Unidad principal (A).
2. Coloque la Agarradera de la puerta No. 12 usando dos Tornillos No. 5.
3. Coloque la Unidad principal (A) en la parte superior del Compartimiento de almacenamiento (B).
4. Asegúrese de que los dos pasadores de inserción de la parte inferior de la Unidad principal (A) se alineen correctamente, de manera que la Unidad principal (A) pueda fijarse bajo la viga del Compartimiento de almacenamiento (C).

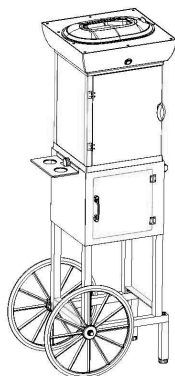
### Fijación de la Unidad principal en el Compartimiento de almacenamiento

Coloque la Unidad principal (A) sobre el Compartimiento de almacenamiento (B) de manera que los dos agujeros laterales coincidan. Fijela apretando los Tornillos de fijación como se muestra a continuación:



### Fijación del Soporte de conos

Fije el Soporte de conos (L) en el lado opuesto a la Agarradera del carrito o en el lado opuesto de la Puerta de la base.



# FUNCIONAMIENTO



Antes del primer uso, limpie el interior de la unidad con una esponja, toalla o paño no abrasivos húmedos y entonces séquelo con una toalla seca no abrasiva.

1. Primero, encuentre una superficie nivelada cerca de una toma de corriente. Asegúrese de que cable esté alejado de cualquier fuente de agua. Si es necesario, use un cable de extensión.
2. Antes de conectar la unidad a la toma de corriente, añada cubos de hielo quitando la tapa transparente de la Unidad principal de su CARRITO DE CONOS DE NIEVE. Para quitar la tapa, simplemente empuje el botón de liberación de la tapa, levántela y quítela.
3. Conecte el aparato mientras que el interruptor esté colocado en la posición OFF:
4. Cuando los cubos de hielo estén listos, colóquelos en la unidad de raspado al mismo tiempo que deja espacio suficiente para colocar de nuevo la tapa con facilidad en la unidad. Nunca la fuerce para cerrarla.
5. Coloque de nuevo la tapa transparente en la unidad y coloque el interruptor de encendido en la posición ON. Esto activará la unidad para que comience a raspar. Tenga presente que el hielo no se raspará a menos que la tapa esté colocada adecuadamente.
6. Repita los pasos 2 y 3 hasta que haya raspado la cantidad de hielo deseada. Ponga la unidad en OFF y entonces desconéctela al acabar.
7. Una vez que tenga la cantidad deseada de hielo, jabra la puerta del alojamiento de la Unidad principal para recuperar el hierro y crear sus platillos favoritos basados en nieve!

# CONSEJOS ÚTILES

## Hielo

Para obtener óptimos resultados en el raspado del hielo, los cubos de hielo deben colocarse fuera del congelador en un tazón por alrededor de 10 minutos antes de ponerlos en la unidad de raspado. Si el hielo tiene una apariencia de escarcha, está demasiado duro para rasparse. Cuando el hielo esté transparente y húmedo al tacto, entonces está listo para rasparse.

## LIMPIEZA Y MANTENIMIENTO

1. Asegúrese de que el aparato esté apagado y desconectado antes de limpiarlo.
2. Abra la puerta del alojamiento para limpiar y secar el interior de la unidad usando un paño o esponja no abrasivos ligeramente húmedos.
3. Limpie el exterior de la unidad usando un paño o esponja no abrasivos ligeramente húmedos y después séquelo con una toalla no abrasiva.
4. La unidad de raspado y la tapa transparente se pueden lavar en el lavavajillas. Para extraer la unidad de raspado, consulte los pasos de la página 11.

## Sustitución de la cuchilla

Cuando la cuchilla del CARRITO DE CONOS DE NIEVE pierda filo después de un período largo de uso normal, sustitúyala con la Cuchilla de repuesto y la Herramienta que se incluye. Si necesita cuchillas adicionales, puede solicitarlas directamente al fabricante.



Alojamiento de la  
cuchilla

Cuchilla (M)

Tapa de la  
cuchilla

Rotor



**Las cuchillas están MUY afiladas. Actúe con EXTREMA PRECAUCIÓN cuando las manipule.**

## Pasos para la sustitución de la cuchilla

1. Extraiga la Bandeja para hielo e inserte la Herramienta de desensamblaje (K) sobre los tres brazos del Rotor.



2. Una vez que la Herramienta de desensamblaje (K) esté correctamente insertada, gírela en sentido contrario a las agujas del reloj (como muestran las flechas) y extraiga el rotor.



3. Presione cuidadosamente hacia adentro las pestañas del Alojamiento de la cuchilla y levántelo para liberarlo.



4. Extraiga la Tapa de las cuchillas girándola y retire el Cartucho de la cuchilla con extremo cuidado. Inserte el Cartucho de la cuchilla de repuesto e invierta los pasos anteriores para armar de nuevo. **PROCEDA CON EXTREMA PRECAUCIÓN. LAS CUCHILLAS ESTÁN MUY AFILADAS.**
5. Cuando coloque de nuevo el Rotor, invierta todos los pasos y asegúrese de bloquear el Rotor usando la Herramienta de desensamblaje.

# RECETAS

El CARRITO DE CONOS DE NIEVE hace montículos de hielo ligero y esponjoso. Use diferentes frutas, siropes, tes y jugos para crear múltiples refrescos, granizados, platillos bajos de grasa, bebidas y postres. ¡Use su imaginación y disfrute de su CARRITO DE CONOS DE NIEVE!

## CONCENTRADO DE SIROPE EMBOTELLADO

- 19-oz de agua tibia Ponga 19 oz. de agua tibia en una botella de un cuarto (o más grande).
  - 2 ¾ de tazas de azúcar (1.25 lb.) Utilizando un embudo, añada 2 ¾ tazas de azúcar al agua.
  - 1 oz. de colorante alimentario Apriete bien la tapa. Agite la botella hasta que el azúcar se disuelva.
  - Botella de 1 cuarto vacía Añada 1 oz. de colorante alimentario. Agite hasta mezclar.
- Ahora puede añadir su sabor favorito al sirope.
- \* Para elaborar un concentrado sin azúcar, use su elección de sustituto de azúcar pulverizado en lugar de azúcar.

## SIROPE AMARGO

- 1 oz de ácido cítrico líquido Ponga 1 onza de ácido cítrico líquido y 1 onza de sabor concentrado (uva, cereza, fresa, melón, manzana o limón son adecuados) en una botella de un cuarto (o mayor).
- 1 oz. de sabor concentrado Llene el resto de la botella con sirope sencillo (puede usar la receta anterior para concentrado de sirope embotellado).
- 1 cuarto de sirope sencillo Añada 1 onza de colorante alimentario.
- 1 oz. de colorante alimentario Apriete bien la tapa. Agite la botella hasta mezclar bien.
- Botella de 1 cuarto vacía

## SIROPE DE CHOCOLATE

- 4 oz. de leche evaporada Vierta los ingredientes en una botella de 1 cuarto o mayor.
- Sirope sencillo Apriete bien la tapa. Agite la botella hasta mezclar bien.
- 1 oz. de sirope saborizado

## SIROPE DE CREMA

- 4 oz. de leche evaporada Vierta 4 onzas de leche evaporada en una botella de 1 cuarto.
  - Sirope sencillo Rellene con sirope sencillo.
  - 1 oz. de sirope saborizado Añada 1 onza de saborizante.
- Enrosque la tapa y agite hasta mezclar bien. Manténgalo refrigerado.

### SPRITZER DE MELOCOTÓN

- 2 tazas de Seltzer de melocotón  
Llene una taza hasta la mitad con hielo recién raspado.
- 2 Cdas. de jugo de naranja recién exprimido  
Vierta el Seltzer de melocotón y el jugo de naranja sobre el hielo.
- 1 paquete de sustituto del azúcar  
Vacíe un paquete de sustituto del azúcar en la taza.  
Remueva hasta que se mezcle bien.  
Añada hielo si lo desea, hasta que la taza esté llena.  
Da una ración.

### NIEVE DE VAINILLA

- 3 medidas de helado de vainilla  
Vierta las medidas de helado en un tazón
- Hielo raspado  
Vierta una pala de hielo raspado sobre el helado para crear un montículo.
- Sirope con sabor a vainilla  
Vierta un chorrito de sirope con sabor a vainilla sobre el hielo raspado y sívallo.  
  
(Pruebe esta receta con otros sabores de helados y de siropes).

### GRANIZADO DE ROOT BEER

- 2 medidas de helado de vainilla  
Congele una jarra para cerveza hasta que esté fría y nevada.
- Hielo raspado  
Ponga 2 medidas completas de helado de vainilla en la jarra para cerveza.
- Bebida de zarzaparrilla  
Vierta el hielo raspado en la jarra, dejando tres dedos de distancia al borde.  
Vierta la bebida de zarzaparrilla en la jarra hasta llenarla.  
Da una ración.

### FROZEN MARGARITA

- 1 taza de hielo raspado  
Ponga sal en un plato. Frote el borde del vaso de margarita con una cuña de lima y sumerja el vaso en sal. Ponga a un lado la lima.
- 3 oz. de tequila  
Llene el vaso de margarita con hielo raspado.
- 1 oz. de Triple Sec  
Vierta el tequila, el triple sec y el jugo de lima en el vaso.
- 2-oz de jugo de lima  
Agite bien y adórnelo con la cuña de lima.
- 1 cuña de lima  
Da una ración.
- 2 cucharaditas de sal gruesa

# DEVOLUCIONES Y GARANTÍA

SI LA UNIDAD NO FUNCIONA O ESTÁ DAÑADA AL SACARLA POR PRIMERA VEZ DE LA CAJA, DEVUÉLVALA AL LUGAR DE COMPRA INMEDIATAMENTE.

## CARRITO DE CONOS DE NIEVE / SCC399COKE

Si tiene preguntas, contacte con nosotros por correo electrónico o por el número telefónico de servicio al cliente que aparece a continuación en el horario de 8:00 AM a 5:00 PM, de lunes a viernes, Hora Estándar del Este.

### Distribuida por:

Nostalgia Products LLC  
1471 Partnership Dr.  
Green Bay, WI 54304-5685  
Servicio al cliente  
Teléfono: (920) 347-9122  
Web: [www.nostalgiaproducts.com](http://www.nostalgiaproducts.com)

### Solicitud de servicio al cliente

Para enviar una solicitud al Servicio al Cliente, vaya a [www.nostalgiaproducts.com](http://www.nostalgiaproducts.com), llene el formulario de Solicitud de Servicio al Cliente y haga clic en el botón Enviar.

Un representante le contactará tan pronto como sea posible.

### Términos de garantía del producto

Por este medio, Nostalgia Products LLC (la "Compañía") garantiza que por un período de un (1) año a partir de la fecha de compra original, este producto estará sin defectos en cuanto a materiales y mano de obra en uso normal en casa, siempre que el producto se maneje y mantenga de acuerdo con las instrucciones de manejo. Como único y exclusivo remedio en virtud de esta garantía, la Compañía, a su discreción, podrá optar por reparar o sustituir el producto que se encuentre defectuoso, o emitir un reembolso por el producto durante el período de garantía. Esta garantía sólo está disponible para el comprador original minorista del producto a partir de la fecha inicial de compra al por menor, y sólo es válida con el recibo de compra original, y como prueba de la fecha de compra, es necesario obtener los beneficios de la garantía. Todos los reclamos de garantía deben hacerse a la atención de la Compañía dentro del período de garantía y no más tarde que 30 días desde la imposibilidad de realizarlo. Esta garantía no cubre el desgaste normal o daños ocasionados por el embarque, malos manejos, mal uso, accidentes, alteración, piezas de cambio incorrectas, o algo distinto al uso doméstico normal. Es posible que deba devolver el producto (con los gastos de envío pagados por usted) para inspección y evaluación. Los costos de envío no son reembolsables. La empresa no se hace responsable por devoluciones dañadas o perdidas en tránsito. A menos que se indique lo contrario específicamente permitido por las instrucciones de manejo, esta garantía sólo se aplica al uso en interiores de las viviendas. Para realizar una reparación bajo esta garantía, comuníquese con la Compañía mediante el número de teléfono indicado anteriormente o al llenar el formulario de consulta para el servicio de Atención al Cliente en [www.nostalgiaproduct.com](http://www.nostalgiaproduct.com). El período de garantía sólo es válido en EE.UU. y Canadá.

Esta garantía está en lugar de cualquier otra garantía, expresa o implícita, incluso las garantías de comerciabilidad y conveniencia para un propósito en particular, que quedan excluidas en la medida permitida por la ley. En ningún caso la compañía será responsable de cualquier daño indirecto, incidental, consecuente, especial o daños que surjan o estén relacionados con este producto o la utilización del mismo. Algunos estados, provincias o corregimientos no permiten la exclusión o la limitación de daños incidentales o consecuentes, por lo que la exclusión o la limitación anterior quizás no se aplique a usted.

### Esta garantía no se aplica a mercancía reelaborada.

Lea las instrucciones de manejo cuidadosamente. El incumplimiento de las instrucciones de manejo anulará esta garantía.

### Para obtener más información, visítenos en línea en [www.nostalgiaproducts.com](http://www.nostalgiaproducts.com).

Me Gusta en Facebook en [www.facebook.com/NostalgiaElectrics](http://www.facebook.com/NostalgiaElectrics).

Siga nuestros consejos sobre Pinterest en [www.pinterest.com/nostalgiaelctrx](http://www.pinterest.com/nostalgiaelctrx).

Tweet con nosotros en Twitter en [www.twitter.com/NostalgiaElctrx](http://www.twitter.com/NostalgiaElctrx).

Une fête tous les jours!  
Visiter le site Web **www.nostalgiaproducts.com** pour  
d'autres produits amusants.

## TABLE DES MATIÈRES

SÉCURITÉ . . . . .	30
PRÉCAUTIONS IMPORTANTES . . . . .	31
PRÉCAUTIONS IMPORTANTES ADDITIONNEL . . . . .	31
INTRODUCTION . . . . .	32
PIÈCES ET ASSEMBLAGE . . . . .	33
MODE DE FONCTIONNEMENT . . . . .	38
CONSEILS UTILES . . . . .	39
NETTOYAGE ET ENTRETIEN . . . . .	39
RECETTES . . . . .	41
RETOURS ET GARANTIE . . . . .	43

## SÉCURITÉ

Votre sécurité et celle des autres sont très importantes.

De nombreux messages de sécurité importants sont donnés dans le présent manuel concernant cet appareil. Toujours lire et respecter toutes les consignes de sécurité.



Ceci est le symbole d'avertissement de sécurité.

Ce symbole vous signale les dangers potentiels qui peuvent causer des blessures graves pour vous et les autres.

Tous les messages de sécurité suivront le symbole d'avertissement de sécurité.

Tous les messages de sécurité indiqueront le danger potentiel, la façon de réduire le risque de blessure et ce qui peut arriver si les consignes ne sont pas suivies.

### Fiche technique de l'appareil :

120 volts, 60 Hz  
100 watts



CE PRODUIT EST DESTINÉ POUR UNE PRISE DE 120V AC UNIQUEMENT.

Reportez-vous à **www.nostalgiaproducts.com/user-manuals/**  
pour la version la plus récente.



# PRÉCAUTIONS IMPORTANTES

**Une personne n'ayant pas lu et compris toutes les instructions de fonctionnement et de sécurité n'est pas qualifiée pour faire fonctionner cet appareil. Tous les utilisateurs de cet appareil doivent lire et comprendre ce mode d'emploi avant d'utiliser ou de nettoyer cet appareil.**

**Lorsque l'on utilise un appareil électrique, il faut toujours respecter des précautions de base, y compris celles-ci :**

1. **Lisez toutes les instructions avant d'utiliser cet appareil.**
2. NE TOUCHEZ PAS aux surfaces chaudes. Utilisez les poignées ou les boutons.
3. Cet appareil N'EST PAS UN JOUET.
4. Les jeunes enfants non supervisés ainsi que les personnes intellectuellement atteintes ne doivent jamais faire fonctionner cet appareil.
5. Une surveillance accrue est nécessaire lorsque tout appareil est utilisé par ou à proximité d'enfants.
6. Pour protéger contre les chocs électriques ne pas submerger le cordon, la fiche ou une partie de cet appareil dans l'eau ou d'autres liquides.
7. Toujours débrancher la prise lorsque l'appareil n'est pas en fonctionnement, avant de retirer les pièces et faire le nettoyage. Laisser refroidir avant de remettre ou de retirer les pièces et avant de faire le nettoyage.
8. NE PAS utiliser l'appareil ayant un cordon ou une fiche électrique endommagée, ni suivant un mauvais fonctionnement ou une détérioration quelconque de l'appareil. Retournez-le à l'atelier de réparation le plus proche pour examen, réparation ou réglage.
9. Le fabricant ne recommande pas l'utilisation d'accessoires autres que ceux fournis par le fabricant. L'utilisation d'accessoires peut causer des blessures.
10. N'employez PAS l'appareil à d'autres fins que son usage prévu.
11. N'utilisez PAS l'appareil à l'extérieur. UNIQUEMENT POUR USAGE DOMESTIQUE.
12. NA PAS placer sur ou près d'un brûleur à gaz ou électrique ou dans un four chauffé.
13. NE JAMAIS laisser le cordon dépasser sur le côté d'une table ou d'un comptoir ou toucher les surfaces chaudes.
14. NE JAMAIS laisser l'appareil sans surveillance tout en cours d'utilisation ou lorsqu'il est branché sur une prise.
15. Toujours brancher la prise de l'appareil tout d'abord, puis branchez dans la prise murale. Pour débrancher l'appareil, remettre tous les boutons en mode « arrêt » (off), puis débranchez la fiche de la prise murale.

# PRÉCAUTIONS IMPORTANTES ADDITIONNEL

## **Mesures de sécurité pour le fonctionnement**

1. La lame est TRÈS affilée. Soyez EXTRÊMEMENT PRUDENT lorsque vous manipulez.
2. Évitez tout contact avec les pièces mobiles. NE JAMAIS mettre les doigts ou des ustensiles dans les zones d'alimentation ou de décharge.
3. Gardez les mains loin du mécanisme de la lame. Utilisez les poignées ou les boutons.
4. Toujours débrancher de la prise lorsque l'appareil n'est pas en fonction, avant de retirer les pièces et faire le nettoyage.
5. Vérifiez la trémie de glace pour la présence d'objets étrangers et ce, avant l'utilisation.

## Les instructions pour le cordon et la prise électrique

1. RISQUE DE DÉCHARGE ÉLECTRIQUE : Ne pas suivre ces instructions peut entraîner la mort, un incendie ou une électrocution.
  - Branchez dans une prise à 3 fiches.
  - NE PAS retirer la broche de mise à la terre.
  - NE PAS utiliser un adaptateur.
  - NE PAS utiliser une rallonge.
2. Cet appareil DOIT ÊTRE mis à la terre. Dans le cas d'un court-circuit électrique, la mise à la terre réduira le risque de choc électrique en offrant un fil d'échappement pour le courant électrique. Cet appareil est équipé d'un cordon muni d'un fil de mise à la terre avec une fiche de mise à la terre. La fiche doit être branchée sur une prise correctement installée et mise à la terre.
3. AVERTISSEMENT : Une mauvaise utilisation de la prise de mise à la terre peut entraîner un risque d'électrocution. **Si la fiche n'entre pas complètement dans la prise, contactez un électricien qualifié. Ne pas essayer de modifier la fiche d'aucune façon que ce soit.**
4. Un court cordon d'alimentation est fourni pour réduire les risques d'enchevêtrement ou risques de trébucher sur un cordon plus long.
5. Le fabricant ne recommande pas l'utilisation de cette machine dans les pays qui ne supportent pas les tensions de 120V AC, même si un adaptateur de tension, un transformateur ou un convertisseur est utilisé.

# CONSERVER CES CONSIGNES!

## INTRODUCTION

Le Chariot pour cornet glacé est un appareil amusant, facile à utiliser. Utiliser des cubes de glace de son congélateur afin de piler et façonner des cornets glacés rafraîchissants pour n'importe quelle occasion. Le compartiment de rangement pratique est idéal pour ranger les sirops, les cônes supplémentaires et autre fourniture. D'une hauteur de 122 cm (48 po), ce chariot pour cornet glacé est parfait pour les grandes réceptions, les fêtes et les événements tels que les collectes de fonds.

Dans une variété infinie de saveurs, les cornets glacés ont toujours été incroyablement amusants à manger. Utiliser la machine afin de créer des monticules de glace pilée pour les frappés à saveur de fruit, les barbotines fruitées ou les boissons glacées. Voir la section recettes du présent manuel pour des idées amusantes supplémentaires sur la façon de profiter de son CHARIOT POUR CORNET GLACÉ.

### Les fonctionnalités comprennent :

- Fenêtres en verre trempé
- Roues et poignée de chariot pour faciliter le transport
- Compartiment de rangement

Visiter [www.nostalgiaproducts.com](http://www.nostalgiaproducts.com) pour savoir quels trousseaux et accessoires sont disponibles pour ce produit !

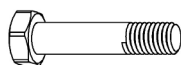
# PIÈCES ET ASSEMBLAGE

S'assurer de retirer tout le matériel d'emballage et les pièces avant de le jeter au rebut. Dans nos efforts visant à minimiser l'emballage, le matériel d'emballage a été maximisé pour protéger son nouvel achat. En conséquence, les petites pièces pourront ne pas être facilement visibles

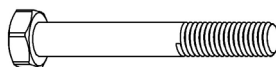
## Quincaillerie



N° 1 Boulon (10 mm)  
Qté 10



N° 2 Boulon (38 mm)  
Qté 2



N° 3 Boulon (60 mm)  
Qté 2



N° 4 Vis (10 mm)  
Qté 4



N° 5 Vis (15 mm)  
Qté 2



N° 6 Rondelle plate (6 mm)  
Qté 10



N° 7 Rondelle plate (8mm)  
Qté 8



N° 8 Rondelle frein  
Qté 2



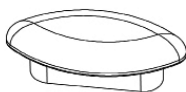
N° 9 Aimant  
Qté 1



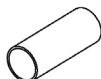
N° 10 Cache-écrou  
Qté 2



N° 11 Écrou  
Qté 2



N° 12 Poignée de la porte  
Qté 1



N° 13 Douille  
Qté 2

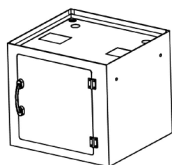


N° 14 Patte  
Qté 2

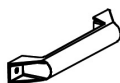
## Pièces



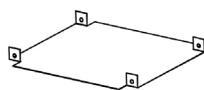
(A) Appareil principal



(B) Compartiment de rangement



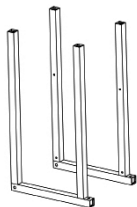
(C) Poignée-poussoir



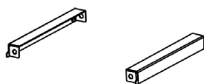
(D) Plaque de fond



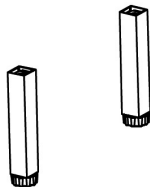
(E) Roue  
Qté 2



(F) Base  
Qté 2



(G) Barre transversale  
Qty. 2



(H) Montant  
Qty. 2



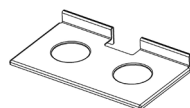
(I) Pelle à glace



(J) Clé  
Qté 2



(K) Outil de démontage



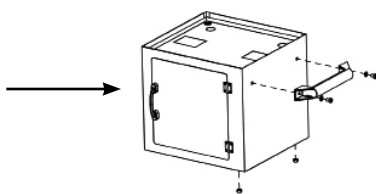
(L) Porte-cornet



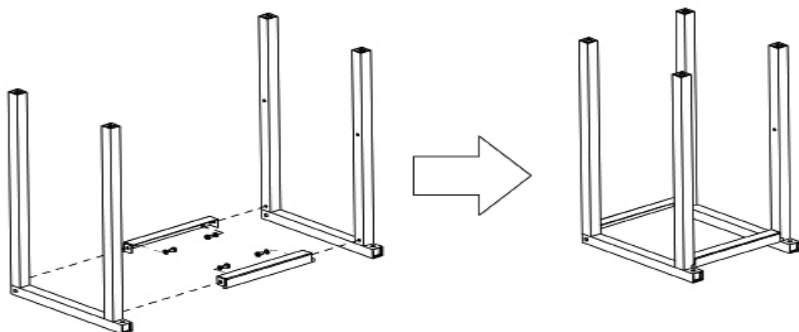
(M) Lame

## Assemblage de la base

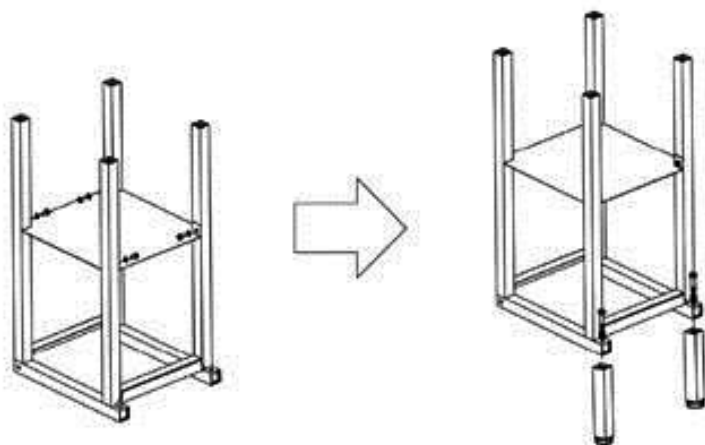
1. Fixer la Poignée-poussoir (C) depuis l'intérieur du Compartiment de rangement (B) à l'aide de deux Boulons n° 1 et de deux Rondelles plates n° 6. Fixer les deux Écrous n° 11 au fond.



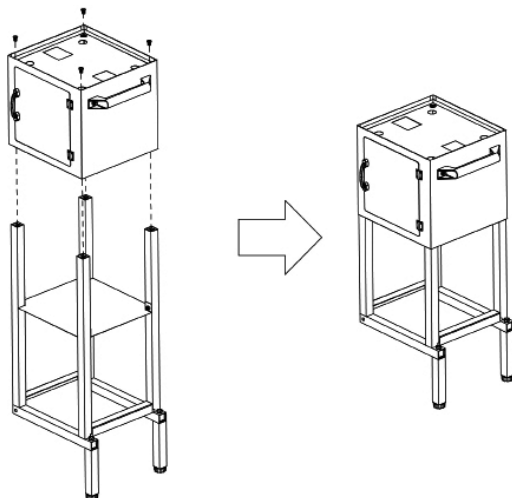
2. Fixer la Barre transversale (G) à la Base (F), puis la fixer à l'aide de quatre Boulons n° 1 et de quatre Rondelles plates n° 6.



3. Fixer la Plaque de fond (D) à la Base (F) à l'aide de quatre Boulons n° 1 et de quatre Rondelles plates n° 6.
4. Fixer les Montants (H) aux extrémités saillantes de la Base (F) à l'aide de deux Boulons n° 2, de deux Rondelle plate n° 7 et de deux Rondelles freins n° 8.

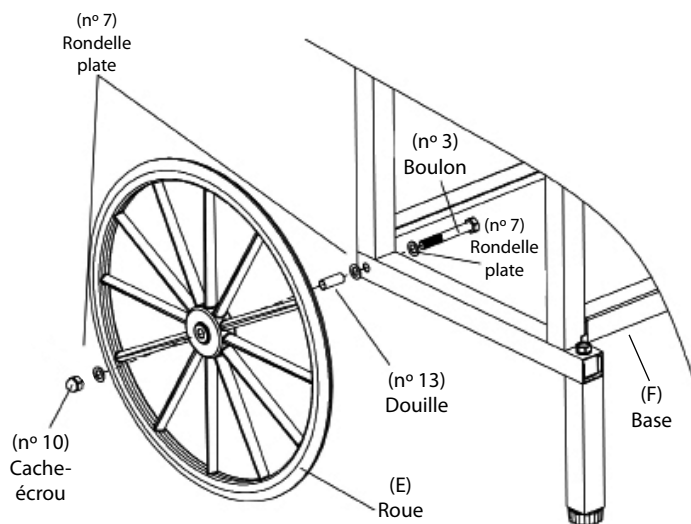


5. Assembler la Base (F) dans le fond du Compartiment de rangement (B), puis fixer solidement à l'aide de quatre Vis n° 4.

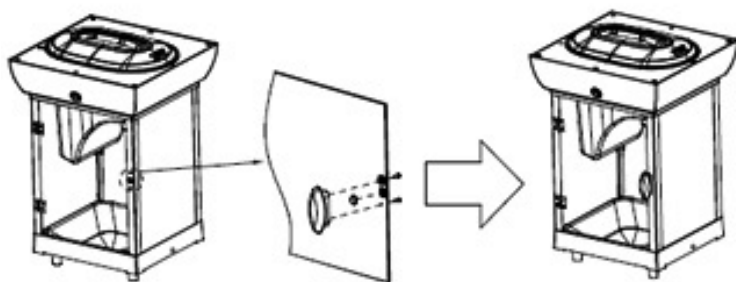


### Assemblage des roues

1. Poser une Rondelle plate n° 7 sur le Boulon n° 3, puis insérer dans le trou prépercé à l'intérieur de la Base (F).
2. Poser une Rondelle plate n° 7 et une Douille n° 13 à l'extrémité du Boulon n° 3 inséré.
3. Fixer la Roue (E) sur le Boulon n° 3. Poser une Rondelle plate n° 7 sur la Roue (E). Utiliser l'extrémité d'une Clé (J) avec une petite encoche pour maintenir le Boulon n° 3 en place. Tout en maintenant le Boulon n° 3 en place, serrer le Cache-écrou n° 10 à l'aide de la Clé (J).
4. Refaire la même chose de l'autre côté, en suivant les consignes susmentionnées.



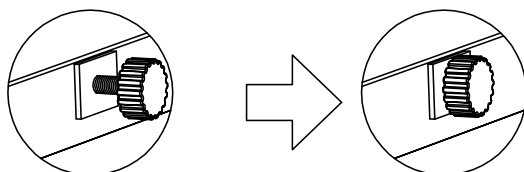
## Fixation de la poignée de la porte



1. Fixer l'Aimant n° 9 à la porte transparente de l'Appareil principal (A).
2. Poser la Poignée de porte n° 12 à l'aide de deux Vis n° 5.
3. Mettre l'Appareil principal (A) sur le dessus du Compartiment de rangement (B).
4. S'assurer que les deux goupilles d'insertion à la base de l'Appareil principal (A) s'alignent correctement de manière à ce que l'Appareil principal (A) se verrouille sous la barre du Compartiment de rangement (C).

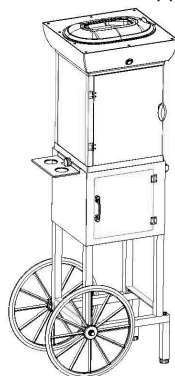
## Verrouillage de l'Appareil principal sur le Compartiment de rangement

Poser l'Appareil principal (A) sur le dessus du Compartiment de rangement (B) de sorte que les deux trous latéraux puissent être alignés. Verrouiller en serrant les Vis de verrouillage, tel qu'il est indiqué ci-dessous:



## Fixation du Porte-cornet

Fixez le Porte-cornet (L) du côté opposé de la Poignée du chariot ou du côté opposé de la Porte de la base.



# MODE DE FONCTIONNEMENT



Avant sa première utilisation, nettoyer l'intérieur de l'appareil en l'essuyant à l'aide d'une éponge, d'une serviette ou d'un chiffon non abrasif(ve), humide, puis l'assécher à l'aide d'une serviette sèche, non abrasive.

1. Premièrement, trouver une surface plane près d'une prise murale avant de le démarrer. S'assurer que le cordon est éloigné de toute source d'eau. L'utilisation d'une rallonge est acceptable, le cas échéant.
2. Avant de brancher l'appareil, ajouter les cubes de glace en enlevant le couvercle transparent de l'Appareil principal de son CHARIOT POUR CORNET GLACÉ. Pour retirer le couvercle, appuyer simplement sur le bouton de déverrouillage du couvercle, soulever, puis retirer.
3. Brancher l'appareil alors qu'il est à la position OFF (arrêt).
4. Lorsque les cubes de glace seront prêts, les placer dans l'appareil de pilage tout en laissant suffisamment de place pour remettre facilement le couvercle sur l'appareil. Ne jamais forcer pour le fermer.
5. Remettre le couvercle transparent sur l'appareil, puis tourner le bouton d'alimentation à la position ON (marche). Ceci permettra d'activer l'appareil pour commencer le pilage. Noter que la glace ne pilera pas si le couvercle n'est pas fixé correctement.
6. Refaire les étapes 2 et 3 jusqu'à ce qu'il y ait la quantité de glace pilée désirée. Mettre l'appareil à la position OFF (arrêt), puis le débrancher une fois terminé.
7. Une fois la quantité la glace désirée, ouvrir la porte de l'Appareil principal pour récupérer la glace et créer les friandises à base de glace de son choix!



# CONSEILS UTILES

## Glace

Pour des résultats optimaux en matière de pilage de glace, les cubes devraient être sortis du congélateur, puis déposés dans un bol, environ 10 minutes avant de les mettre dans l'appareil de pilage. Si la glace a un aspect givré, le pilage sera trop difficile. Lorsque la glace est claire et humide au toucher, elle sera plus facile à piler.

## NETTOYAGE ET ENTRETIEN

1. S'assurer que l'appareil est éteint et débranché avant de le nettoyer.
2. Ouvrir la porte pour nettoyer et assécher l'intérieur de l'appareil à l'aide d'un chiffon ou d'une éponge légèrement humide et non abrasif(ve).
3. Essuyer l'intérieur de l'appareil à l'aide d'un chiffon ou d'une éponge légèrement humide et non abrasif(ve), puis assécher à l'aide d'une serviette non abrasive.
4. L'appareil de pilage et le couvercle transparent vont au lave-vaisselle. Pour retirer l'appareil de pilage, suivre les étapes de la Page 11.

## Remplacement de la lame

Lorsque la lame de son CHARIOT POUR CORNET GLACÉ devient émoussée après une longue période d'utilisation normale, la remplacer par la lame de rechange à l'aide de l'Outil compris. Pour des lames supplémentaires, les commander directement auprès du fabricant.



Logement de la  
lame

Lame (M)

Écrou de la  
lame

Tournette



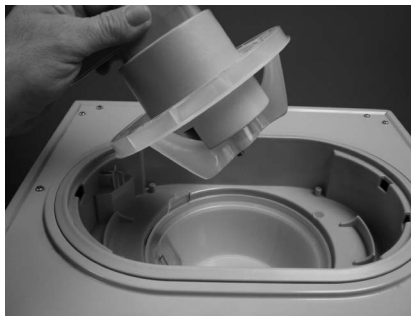
**La lame est TRÈS tranchante. Faire preuve d'une EXTRÊME PRUDENCE au moment de la manipulation.**

## Étapes à suivre pour remplacer la Lame

1. Retirer le Bac à glace, puis insérer l'Outil de démontage (K) sur les trois bras de la Tournette.



2. Une fois l'Outil de démontage (K) correctement inséré, tourner dans le sens antihoraire (comme l'indique la flèche), puis soulever la Tournette.



3. Appuyer délicatement sur les onglets du Logement de la lame vers l'intérieur, puis soulever pour le retirer.



4. Dévisser l'Écrou de la lame et, en faisant preuve d'une extrême prudence, retirer la Cartouche de la lame. Insérer la Cartouche de la lame de remplacement, puis inverser les étapes susmentionnées pour le remontage. **FAIRE PREUVE D'UNE EXTRÊME PRUDENCE. LA LAME EST TRÈS TRANCHANTE.**
5. Au moment du remplacement de la Tournette, inverser toutes les étapes, puis s'assurer de la verrouiller à l'aide de l'Outil de démontage.

# RECETTES

Le CHARIOT POUR CORNET GLACÉ fait des monticules de glace légères, douces. Utiliser différents fruits, sirops, tisanes et jus de fruits pour créer un nombre infini de friandises, boissons et desserts faibles en gras et rafraîchissants. Laisser libre cours à son imagination et profiter de son CHARIOT POUR CORNET GLACÉ!

## CONCENTRÉ DE SIROP EN BOUTEILLE

- 540 mL (19 oz) d'eau tiède  
Verser 540 mL (19 oz) d'eau tiède dans une bouteille de 570 mL (1 pinte) ou plus.
- 525 g (2  $\frac{3}{4}$  tasses) de sucre  
À l'aide d'un entonnoir, ajouter 525 g (2  $\frac{3}{4}$  tasses) de sucre à l'eau.
- 28 mL (1 oz) de colorant alimentaire  
Visser solidement le capuchon. Bien agiter la bouteille jusqu'à dissolution du sucre.
- 1 bouteille vide de 570 mL (1 pinte)  
Ajouter 28 mL (1 oz) de colorant alimentaire. Bien agiter.  
  
Ajouter maintenant la saveur de son choix au sirop.  
  
\*Pour faire un concentré sans sucre, remplacer par un succédané de sucre en poudre de son choix.

## SIROP AMER

- 28 mL (1 oz) d'acide citrique liquide  
Verser 28 mL (1 oz) d'acide citrique liquide et 28 mL (1 oz) de concentré d'arôme (raisin, cerise, fraise, pastèque, pomme ou citron – les fruits sont parfaits) dans une bouteille de 570 mL (1 pinte) ou plus.
- 28 mL (1 oz) de concentré d'arôme  
Remplir le reste de la bouteille d'un simple sirop.
- 1 bouteille vide de simple sirop  
Utiliser la recette susmentionnée pour concentré de sirop en bouteille).
- 28 mL (1 oz) de colorant alimentaire  
Ajouter 28 mL (1 oz) de colorant alimentaire.
- 1 bouteille vide de 570 mL (1 pinte)  
Visser solidement le capuchon. Agiter la bouteille jusqu'à obtenir un mélange homogène.

## CHOCOLATE SYRUP

- 285 mL (15 oz) de simple sirop  
Verser les ingrédients dans une bouteille de 570 mL (1 pinte) ou plus grande.
- 285 mL (15 oz) de sirop au chocolat  
Visser solidement le capuchon. Agiter la bouteille jusqu'à obtenir un mélange homogène.

## CREAM SYRUP

- 120 mL (4 oz) de lait évaporé  
Verser 120 mL (4 oz) de lait évaporé dans 1 bouteille de 570 mL (1 pinte)
- Simple sirop  
Recouvrir de simple sirop.
- 20 mL (1 oz) de sirop aromatisé  
Ajouter 20 mL (1 oz) d'aromatisant.  
  
Visser le capuchon, puis agiter jusqu'à obtenir un mélange homogène. Garder au réfrigérateur.

### PEACH SPRITZER

- 470 mL (2 tasses) de panaché de pêche  
Remplir une tasse à moitié avec de la glace fraîchement pilée.
  - 2 c. à soupe de jus d'orange, fraîchement pressé  
Verser le panaché de pêche et le jus d'orange sur la glace.  
Vider le contenu d'un emballage de succédané de sucre dans la tasse.
  - 1 emballage de succédané de sucre  
Remuer jusqu'à obtenir un mélange homogène.  
Ajouter de la glace supplémentaire, le cas échéant, jusqu'à ce que la tasse soit pleine.
- Portion : 1

### VANILLA SNOW

- 3 boules de crème glacée à la vanille  
Mettre les boules de crème glacée dans un bol.
- Glace pilée  
Déposer la glace pilée sur la crème glacée pour créer un monticule.
- Sirop à la vanille  
Déposer un filet de sirop à la vanille sur la glace pilée, puis servir.  
(Décliner cette recette avec une autre crème glacée et une autre saveur de sirop.)

### ROOT BEER FLOAT SLUSH

- 2 boules de crème glacée à la vanille  
Faire réfrigérer une chope de bière jusqu'à ce qu'elle soit froide et glacée.
  - Glace pilée  
Déposer 2 boules de crème glacée à la vanille dans la chope de bière.
  - Racinette  
Déposer la glace pilée dans une chope, laissant trois doigts d'espace sur le dessus.  
Verser la racinette dans la chope jusqu'à ce qu'elle soit pleine.
- Portion : 1

### FROZEN MARGARITA

- 120 g (1 tasse) de glace pilée  
Mettre du sel dans une soucoupe. Frotter le bord d'un verre pour margarita à l'aide d'un quartier de lime, puis tremper le verre dans le sel pour recouvrir complètement le bord. Réserver la lime.
- 85 g (3 oz) de tequila  
Remplir un verre pour margarita avec de la glace pilée.
- 30 mL (1 oz) de triple-sec  
Verser la tequila, le triple sec et le jus de lime dans le verre.
- 60 mL (2 oz) de jus de lime  
Bien mélanger, puis garnir avec un quartier de lime.
- 1 quartier de lime  
Portion : 1
- 2 c. à café de gros sel

# RETOURS ET GARANTIE

SI VOTRE APPAREIL NE FONCTIONNE PAS OU S'IL EST ENDOMMAGÉ QUAND VOUS LE RETIREZ DE LA BOÎTE, VEUILLEZ LE RETOURNER IMMÉDIATEMENT À L'ENDROIT OÙ IL A ÉTÉ ACHETÉ.

## CHARIOT POUR CORNET GLACÉ / SCC399COKE

Pour toute question, communiquer par courriel ou au numéro de téléphone du service à la clientèle, entre 08 h 00 et 17 h 00, du lundi au vendredi, heure normale du Centre.

### Distribué par :

Nostalgia Products LLC  
1471 Partnership Dr.  
Green Bay, WI 54304-5685  
Service à la clientèle  
Téléphone : (920) 347-9122  
Site Web : [www.nostalgiaproducts.com](http://www.nostalgiaproducts.com)

### Demande pour le service à la clientèle

Pour soumettre une demande au service à la clientèle, rendez vous au [www.nostalgiaproducts.com](http://www.nostalgiaproducts.com) puis remplissez le formulaire de demande au service à la clientèle puis cliquez sur le bouton Soumettre.

Un représentant vous contactera dès que possible.

### Conditions de garantie du produit

Le groupe Nostalgia Products LLC (référé tel « l'Entreprise ») garantit que pour une période d'un (1) an en date d'achat, ce produit est sans défaut de matériel et de fabrication selon une utilisation normale à domicile, seulement si le fonctionnement et l'entretien du produit sont conformes aux directives fournies. À titre de réparation exclusive et entière sous cette garantie, l'Entreprise pourra à sa discrétion, réparer ou remplacer le produit défectueux, voire émettre un remboursement du produit durant la période couverte sous garantie. Cette garantie n'est disponible seulement qu'à l'acheteur d'origine du produit, en date d'achat au détail dudit produit et sera valide uniquement avec le reçu de caisse d'origine, à titre de preuve d'achat, lequel est requis pour obtenir les bienfaits reliés à cette garantie. Toute réclamation doit être rapportée à l'attention de l'Entreprise dans la fenêtre de la période de la garantie, sans dépasser 30 jours à défaut de performance. Cette garantie ne couvre pas l'usure normale ou dommage cause par l'expédition, la mauvaise manipulation, la mauvaise utilisation, les accidents, les modifications, les mauvaises pièces de remplacement, voire toute autre utilisation anormale du produit à domicile. Il est possible que vous ayez à retourner le produit (avec les frais de retour prépayés par vous) pour une inspection et une évaluation. Les frais des coûts de retour ne sont pas remboursables. L'Entreprise n'est aucunement responsable pour les retours endommagés ou perdus en transit. Autrement que spécifiquement permis selon les directives de fonctionnement, cette garantie s'applique à une utilisation à domicile à d'intérieur seulement. Afin d'obtenir un service couvert sous cette garantie, veuillez contacter l'Entreprise au numéro de téléphone inclut ci-haut ou en remplissant le formulaire de demande au service à la clientèle, sur le site [www.nostalgiaproducts.com](http://www.nostalgiaproducts.com). La garantie est valide seulement aux États-Unis et au Canada.

Cette garantie prévaut toute autre garantie, expresse ou implicite incluant les garanties de qualité marchande ou ayant une aptitude pour une intention en particulier, lesquelles sont exclues selon la loi. Sous aucun prétexte l'Entreprise ne pourra être tenue responsable pour tout dommage indirect, accidentel, conséquentiel ou spécial provenant de ou en relativité avec ce produit ou son utilisation. Certains états, provinces ou juridictions n'allouent pas l'exclusion ou la limitation de tels dommages accidentels ou conséquentiels, donc l'exclusion ou limitation suscitée peut ne pas s'appliquer à vous.

### Cette garantie ne s'applique pas à la marchandise de renaissance.

Veillez lire les directives de fonctionnement attentivement. Ne pas se conformer aux directives de fonctionnement annulera cette garantie.

### Pour plus d'informations, visitez notre site Web à [www.nostalgiaproducts.com](http://www.nostalgiaproducts.com).

Aimez-nous sur Facebook à l'adresse [www.facebook.com / NostalgiaElectrics](http://www.facebook.com/NostalgiaElectrics).

Suivez nos conseils sur Pinterest à [www.pinterest.com / nostalgialctrx](http://www.pinterest.com/nostalgiaelctrx).

Tweet avec nous sur Twitter à l'adresse [www.twitter.com / NostalgiaElctrx](http://www.twitter.com/NostalgiaElctrx).

