

NOSTALGIA™



P R O D U C T S

All products are trademarks of Nostalgia Products LLC.
Worldwide design & utility patented or patents pending.
© 2021 Nostalgia Products LLC.

www.nostalgiaproducts.com

(rev. 12/21/21 SN)

NOSTALGIA™



NKPCRT25RW

Vintage 2.5 Oz. Popcorn Cart Carrito de palomitas de maíz Chariot à maïs soufflé

Instructions and Recipes
Instrucciones y recetas
Consignes et recettes

Make every day a party!
 Visit www.nostalgiaproducts.com for more fun products.

CONTENTS

SAFETY 2

IMPORTANT SAFEGUARDS 3

ADDITIONAL IMPORTANT SAFEGUARDS 3

INTRODUCTION 4

PARTS & ASSEMBLY 5

HOW TO OPERATE 11

HELPFUL TIPS 12

CLEANING & MAINTENANCE 13

RECIPES 14

RETURNS & WARRANTY 16

SAFETY

Your safety and the safety of others is very important.

We have provided many important safety messages in this manual and on your appliance. Always read and obey all safety messages.



This is the safety alert symbol.

This symbol alerts you to potential hazards that can cause serious injury to you and others.

All safety messages will follow the safety alert symbol.

All safety messages will tell you what the potential hazard is, tell you how to reduce the chance of injury, and tell you what can happen if the instructions are not followed.

Appliance Specifications:

120 Volts, 60 Hz
 300 Watts



THIS PRODUCT IS FOR USE IN 120V AC OUTLET ONLY.

Refer to www.nostalgiaproducts.com/user-manuals/ for the most updated manual.

IMPORTANT SAFEGUARDS

A person who has not read and understood all operating and safety instructions is not qualified to operate this appliance. All users of this appliance must read and understand this Instruction Manual before operating or cleaning this appliance.

When using electrical appliances, basic safety precautions should always be followed, including:

1. **Read all instructions before operating this appliance.**
2. DO NOT TOUCH the hot surfaces. Use handles or knobs.
3. This appliance is NOT A TOY.
4. Unsupervised young children and cognitively challenged individuals should never operate this appliance.
5. Close supervision is necessary when any appliance is used by or near children.
6. To protect against electrical shock do not immerse cord, plug or any part of this appliance in water or other liquids.
7. Unplug from outlet when not in use, before removing parts and before cleaning. Allow to cool before putting on or taking off any parts, and before cleaning.
8. DO NOT operate any appliance with a damaged cord or plug, or after the appliance malfunctions, or if the appliance has been damaged in any manner. Return the appliance to the nearest repair shop for examination, repair or adjustment.
9. The manufacturer does not recommend the use of accessory attachments other than what is provided by the manufacturer. Use of attachments may cause injuries.
10. DO NOT use the appliance for other than its intended use.
11. DO NOT use outdoors. FOR HOUSEHOLD USE ONLY.
12. DO NOT place on or near a hot gas or electric burner, or in a heated oven.
13. DO NOT let cord hang over edge of table or counter, or touch hot surfaces.
14. NEVER leave unit unattended while in use or when plugged into an outlet.
15. Extreme caution must be used when moving an appliance containing hot food.
16. Always attach plug to appliance first, then plug cord in the wall outlet. To disconnect, turn any control to "off," then remove plug from wall outlet.

ADDITIONAL IMPORTANT SAFEGUARDS

Operating Safety Precautions

1. DO NOT touch kettle and keep door of main unit closed while operating. Kettle gets VERY HOT during operation.
2. Ensure the Kettle is properly attached to brackets before operating and that the motor plug is plugged into the Kettle.
3. Check Kettle for presence of foreign objects prior to use.
4. DO NOT place butter, seasonings, or anything other than popcorn kernels and oil into the Kettle. Use of these substances may cause hazards and may damage the unit.
5. DO NOT operate unit without oil as the popcorn kernels may burn or smoke.

6. DO NOT leave Kettle motor running once popping has ceased.
7. Exercise caution when emptying popcorn. Always use Crank Handle to empty popcorn, and make sure the unit is over a countertop so that residual hot oil running out will not cause burns.
8. DO NOT use the appliance for other than its intended use.

Instructions for the Electrical Cord and Plug

1. This appliance has a polarized plug (one blade is wider than the other). To reduce the risk of electrical shock, this plug is intended to fit into a polarized outlet only one way. **If the plug does not fit fully into the outlet, reverse the plug. If it still does not fit, contact a qualified electrician. Do not attempt to modify the plug in any way.**
2. A short power supply cord is provided to reduce the risk resulting from becoming entangled or tripping over a long cord.
3. If a long detachable power-supply cord or extension cord is used:
 - Extension cords can be used if care is exercised in their use.
 - The marked electrical rating of the cord or extension cord should be at least as great as the electrical rating of the appliance.
 - When using a longer cord or extension cord, make sure that the cord does not drape over a countertop or tabletop where it can be pulled on or tripped over unintentionally.
4. The manufacturer does not recommend using this machine in countries that do not support 120V AC even if a voltage adapter, transformer, or converter is in use.

SAVE THESE INSTRUCTIONS!

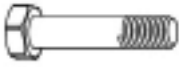
INTRODUCTION

Thank you for purchasing the VINTAGE 2.5 OZ. POPCORN CART by Nostalgia™. This 45" tall vendor-style popcorn cart will be the hit of every party. Enjoy up to ten cups of hot, fresh, kettle cooked popcorn per batch. It features a large, stainless steel kettle with a built-in stirring system. There is a compartment in the base of the unit to store supplies, making it easy to keep the cart well stocked and organized. The POPCORN CART has an easy-to-clean design, and its accessible height makes serving a snap with old-fashioned style to spare.

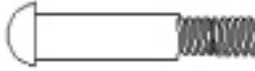
Visit www.nostalgiaproducts.com to find out which kits and accessories are available for this product!

PARTS & ASSEMBLY

Hardware



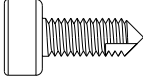
#1 Bolt (55mm)
Qty. 4



#2 Bolt (65mm)
Qty. 2



#3 Screw (10mm)
Qty. 2



#4 Screw (10mm)
Qty. 12



#5 Flat Washer (8mm)
Qty. 2



#6 Flat Washer (6mm)
Qty. 2



#7 Locking
Washer (3mm)
Qty. 2



#8 Nut Cap (M8)
Qty. 4

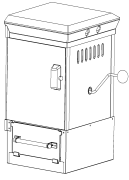


#9 Nut
Qty. 2

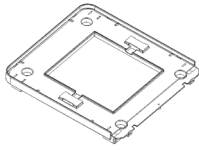


#10 Nut Cap (M6)
Qty. 2

Parts



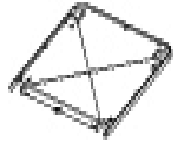
(A) Main Unit



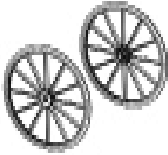
(B) Top Cover



(C) Push Handle



(D) Bottom Plate



(E) Wheel (2)



(F) Door



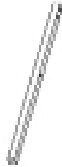
(G) Storage Compartment



(H1) Kernel Measuring Cup (2-oz.)



(H2) Oil Measuring Spoon (1 Tbsp.)



(I) Support Bar (4)



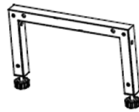
(J) Screw Driver



(K1) Wrench



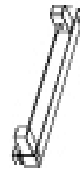
(K2) Wrench



(L) Legs



(M) Left Bar



(N) Right Bar

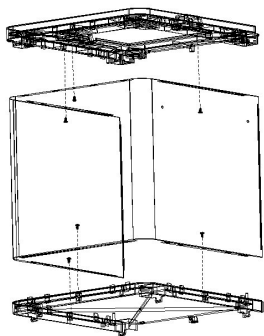


(O) Back Cross Bar

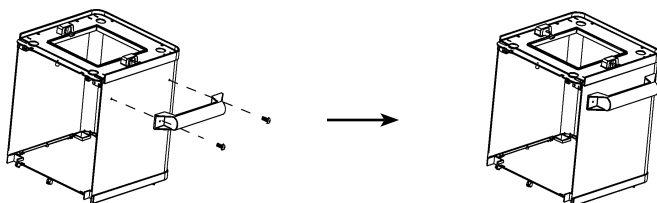
Assembly

Use provided tools for assembly: Wrench (K1), Wrench (K2), and Screw Driver (J).

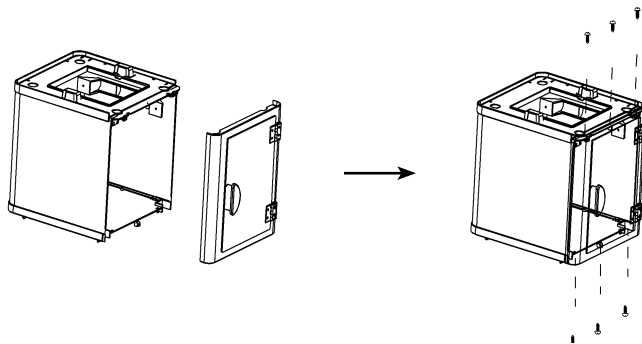
1. Use 6 #4 Screws to assemble Top Cover (B), Bottom Plate (D) and Storage Compartment (G) together. Make sure that the "X" on the Bottom Plate is facing DOWN and the flat edge of the Top Cover faces forward.



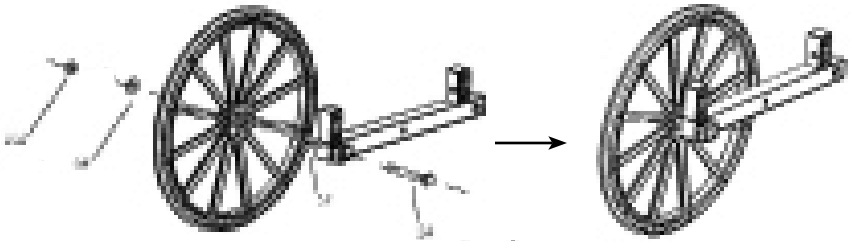
2. Attach Push Handle (C) and Storage Compartment (G) using two #3 Screws, two #7 Locking Washers and two #9 Nuts. Use Screws to attach Push Handle to exterior of Storage Compartment. Use Locking Washers and Nuts on interior of Storage Compartment to secure Push Handle.



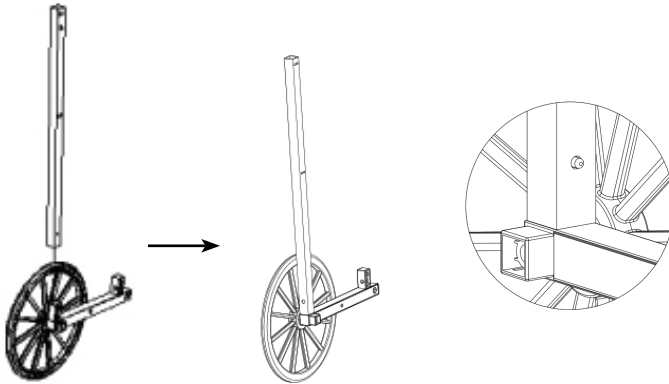
3. Lift the upper piece of the Top Cover to fit the Door (F) into place. Use six #4 Screws to attach the Door (F) to the main compartment assembly in Step 2.



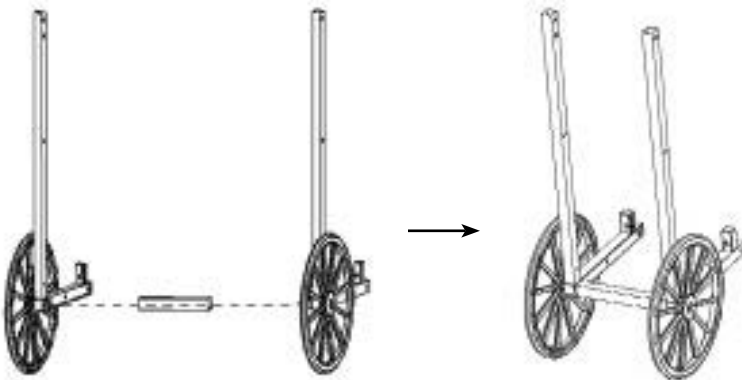
4. Connect one Wheel (E) and the Left Bar (M) with a #2 Bolt, a #5 Flat Washer, a #6 Flat Washer, and a #10 Nut Cap. Repeat process with second wheel and Right Bar (N).



5. Attach a Support Bar (I) to one of the wheel assemblies. Repeat process using the second wheel assembly and second Support Bar (I).

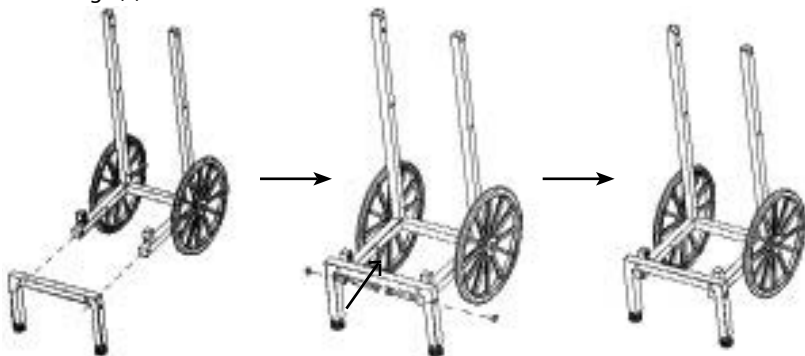


6. Use the Back Cross Bar (O) to connect the wheel and support bar assemblies.

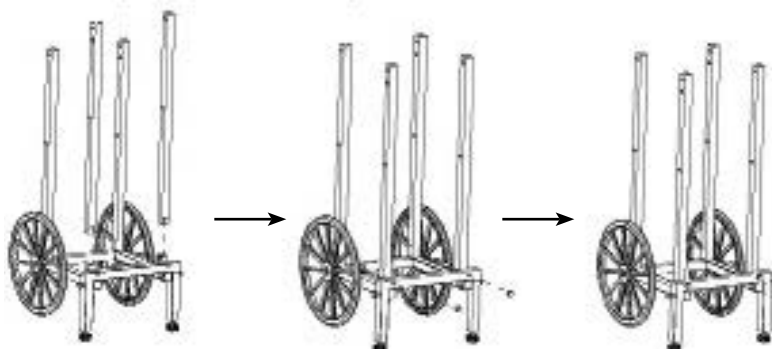


Assembly of Base Support & Wheels (continued)

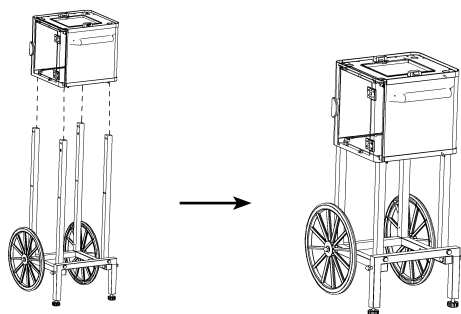
7. Use two #1 Bolts and two #8 Nut Caps to connect the Legs (L) to the wheel structure.



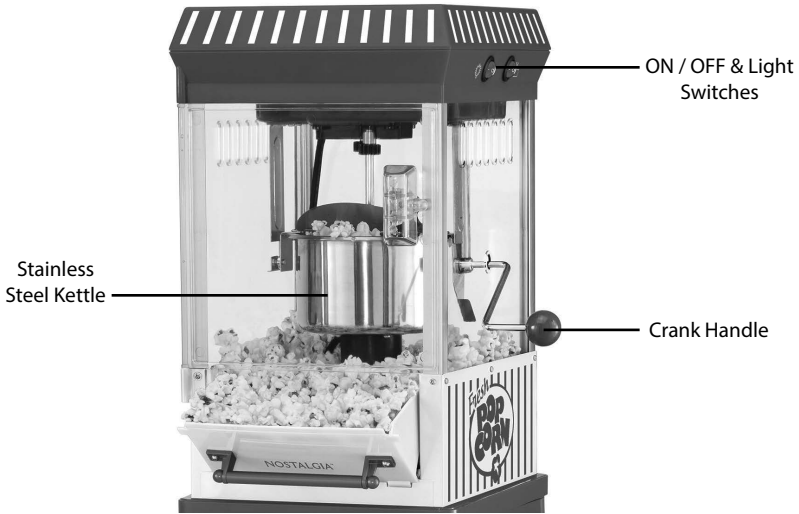
8. Use two #1 Bolts and two #8 Nut Caps to attach both Support Bars (I) to Step 7 assembly.



9. Attach the assembled Storage Compartment (G) parts to the wheels/legs assembly. Push Storage Compartment (G) down until it fits into place.



Assembly of Main Unit



1. Place Main Unit (A) onto the top of the Storage Compartment (B).
2. Ensure that the two inserting pins underneath the Main Unit (A) line up correctly so that Main Unit (A) can be locked under the beam of the Storage Compartment (C) (see figure 1).
3. Place the kettle into the support brackets and connect the power cord at the base. Insert the crank handle and turn counter-clockwise to attach.

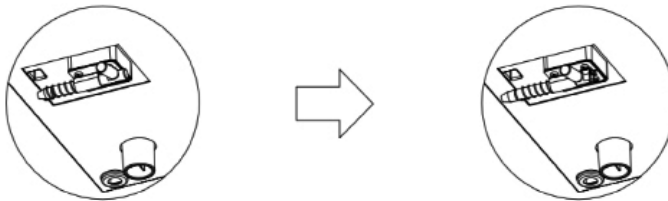



figure 1

HOW TO OPERATE

Before first use, clean the inside of the unit by wiping with a moist, non-abrasive sponge, towel or cloth and then wipe with a non-abrasive dry towel. Wipe down the inside of the Kettle and be sure it is properly placed in the brackets before starting.

1. First, find a flat surface near an electrical outlet before starting. Make sure your cord is away from any water source. It is acceptable to use an extension cord if needed.
2. Gather your popcorn making supplies: popcorn, seasonings, cooking oil, Serving Bowl, Kernel Measuring Cup and Oil Measuring Spoon. (Kernel Measuring Cup and Oil Measuring Spoon are included with your unit.)
3. Plug the appliance into the wall outlet while switch is flipped to OFF position.
4. Make sure Kettle is properly secured in the support brackets, and kettle motor cord is fully plugged into the outlet located on the bottom side of the kettle. The kettle cord is located on the ceiling of the unit.
NOTE: Kettle will not heat if plug is not fully inserted.
5. Turn appliance ON by flipping the switch on the top of the machine. Allow the appliance to run 3-5 minutes to heat up the Kettle.
6. Turn unit OFF.
7. Use the supplied Oil Measuring Spoon to add 1 scoops (1 tablespoon) of your favorite popcorn cooking oil to the Kettle. For best results, it is suggested to use coconut oil.
8. Add $\frac{1}{4}$ cup (2 oz.) popcorn kernels to the Kettle using the supplied Kernel Measuring Cup.
NOTE: DO NOT overfill or pack kernels into Kernel Measuring Cup as this will crowd the Kettle. Doing so may result in more unpopped kernels and cause kernels to smoke or burn.
9. Turn the unit ON and close the door. In no time at all, you will hear the popping begin. Fresh, hot popcorn will begin to burst out of the flip lids on the Kettle!
NOTE: Steam produced during the popping process is normal.
10. Once the kernels have stopped popping, turn the unit OFF and tip the Kettle using the red knob on the Crank Handle to release the popcorn.
NOTE: Do not allow motor to continue to run after popcorn is done popping.
 **IMPORTANT:** Extreme caution must be used when emptying popcorn. Always make sure the unit is over a countertop so that residual hot oil running out will not cause burns.

HELPFUL TIPS



NEVER leave the unit unattended while operating.

SMOKING

If your POPCORN CART begins to smoke during cooking, it may be due to grease build up. In order to reduce smoking, make sure that you clean the inside of the Kettle between uses.

POPCORN

The POPCORN CART is designed for all regular and premium brands of popping corn. Yellow corn generally pops better than white corn, while some brands of kernels have a harder outer shell and may result in fewer popped kernels. Try different brands to find which you like best.

If you notice you are experiencing a lot of unpopped kernels, try adding more oil to the Kettle. More oil may help pop more kernels.

Always use fresh popcorn. Dried out, stale, or old popcorn pops poorly as it has lost its moisture content and may scorch. We recommend storing popcorn in an airtight container in a cool place.

Occasionally popcorn does not pop. This is usually the result of environmental factors such as freshness and moisture content of the popcorn, or variances of popcorn type. Unpopped kernels do not necessarily indicate a defect in the appliance.

When filling the Kernel Measuring Cup, make sure to not fill above the marked line. Underfilling can cause less kernels to pop and more unpopped kernels to come out of the unit. Overfilling can cause popped corn to burn and smoke, as it will overflow the Kettle.

SEASONING

For more buttery popcorn or when adding seasonings, a spritz of olive oil, water or butter will allow the seasonings to better stick to the popcorn.



IMPORTANT: DO NOT place butter, seasonings, or anything other than popcorn kernels into the popcorn Kettle. Use of these substances may cause hazards and may damage the unit.

CLEANING & MAINTENANCE

Before cleaning, make sure appliance is unplugged from wall outlet, and the kettle cord is unplugged from the kettle. Allow the unit to cool completely before cleaning.

1. After kettle cord has been unplugged and Kettle has completely cooled, turn Crank Handle clockwise to loosen and remove from Kettle.
2. Remove Kettle from support brackets, and take the Kettle out of the main unit.
3. Fill the Kettle with a small amount of hot, soapy water.
NOTE: To protect the kettle cord receptacle from getting wet, **never allow water or liquid of any kind near or in the kettle cord receptacle.** Never place any parts in the dishwasher. Always wash by hand.
4. Allow the Kettle to sit for 15 to 20 minutes to cut the grease. (Time required to cut grease may vary – use your own judgment depending on the amount of cleaning necessary.)
5. Carefully empty water from the Kettle, taking care to not get water into the kettle cord receptacle. If necessary, use the scrubber side of a cleaning sponge to scrub the inside of the Kettle.
6. Rinse inside of the Kettle carefully and dry with a non-abrasive towel. Wipe the outside of the Kettle with a damp cloth and then dry.
7. Use a slightly damp, non-abrasive sponge, towel or cloth to wipe down the inside and outside of the main unit. Then wipe with a non-abrasive towel to dry. For stubborn soils, a citrus degreaser may be used on the panel windows and door.
IMPORTANT: Not all citrus degreasers are the same and some may contain chemicals that may damage your unit! We recommend testing the degreaser on a small, inconspicuous spot on the unit to ensure the chemicals do not damage your panels.
8. Place the Kettle back into the brackets of the main unit. Lastly, screw in the Crank Handle, turning counter-clockwise to tighten.

RECIPES

The POPCORN CART makes hot, fresh, theater style popcorn anytime! Enjoy your freshly popped corn in a variety of ways:

- Regular theater style popcorn – add butter and salt.
- Add a pinch of sugar and salt to popcorn for a sweet kettle corn taste.
- Flavored popcorn – add seasoning from any gourmet popcorn seasoning kit.
- Try some of these fun recipes

NOTE: 1 Gallon = 16 Cups

PARMESAN POPCORN

- ½ Cup Popcorn (1 gallon popped) Pop corn kernels using the POPCORN CART as directed in HOW TO OPERATE section.
- 1 Tsp. Garlic Powder Combine garlic powder, green onions, cracked pepper, sea salt and parmesan cheese. Set aside.
- 3 Green Onions, finely chopped In a large mixing bowl, drizzle hot olive oil over popcorn.
- ½ Tsp. Cracked Pepper Toss until well coated.
- 1 Tsp. Sea Salt Slowly add in dry ingredients while continuously stirring popcorn until well coated.
- 1 Cup Parmesan Cheese, grated (more or less to taste) You may also shake the dry ingredients over popcorn in a large paper or muslin bag.
- 3 Tbsp. Olive Oil, heated

TRADITIONAL POPCORN BALLS

- ½ Cup Popcorn (1 gallon popped) Pop corn kernels using the POPCORN CART as directed in HOW TO OPERATE section.
- ½ Cup Corn Syrup Mix corn syrup, sugar and salt together in pot and dissolve over medium heat for about 3 minutes.
- ½ Cup Granulated Sugar Add popcorn to pot, stirring and tossing consistently until popcorn is evenly coated at low heat.
- ½ Tsp. Salt
- 1 Stick of Butter, softened Remove from heat.
Use softened butter to form balls while popcorn mixture is still warm.
Wrap individual balls in plastic wrap, tie and store at room temperature.

CHUNKY MONKEY

- ½ Cup Popcorn (16 gallon popped) Pop corn kernels using the POPCORN CART as directed in HOW TO OPERATE section.
 - 1 (12-oz.) Bag Semi-Sweet Chocolate Chips Melt chocolate chips and peanut butter morsels over stove, as packaging recommends.
 - 1 (12-oz.) Bag Peanut Butter Morsels Line cookie sheet with wax paper.
 - 1 (4.2-oz.) Bag Banana Chips, broken into small pieces Toss together popcorn and banana chips.
 - 1 (11-oz.) Bag Peanuts Spread popcorn and banana chip mixture evenly over cookie sheet.
- Drizzle melted chocolate and peanut butter mixture over popcorn and banana chips.
- Sprinkle peanuts over chocolate and peanut butter mixture.
- Allow to cool.
- When chocolate and peanut butter has hardened, break up the Chunky Monkey into pieces.
- Can be stored in plastic freezer bags.

POPCORN PEPPERMINT BARK

- ½ Cup Popcorn (1 gallon popped) Pop corn kernels using the POPCORN CART as directed in HOW TO OPERATE section.
 - 1 (12-oz.) Bag Semi-Sweet or Dark Chocolate Chips Melt chocolate chips over stove, as packaging recommends.
 - 1¼ Cup Peppermint Sticks, crushed Line cookie sheet with wax paper.
- Spread popcorn evenly over cookie sheet.
- Drizzle melted chocolate over popcorn.
- Sprinkle crushed peppermints over chocolate.
- Allow to cool.
- When chocolate has hardened, break up Popcorn Peppermint Bark into pieces.
- Can be stored in plastic freezer bags.

RETURNS & WARRANTY

SHOULD YOUR UNIT NOT WORK OR IF DAMAGED WHEN YOU FIRST TAKE IT OUT OF THE BOX, PLEASE RETURN IT TO THE PLACE OF PURCHASE IMMEDIATELY.

VINTAGE 2.5 OZ. POPCORN CART / NKPCRT25RW

Should you have any questions, please contact us via email or at the customer service number listed below between the hours of 8:00 AM and 5:00 PM, Monday through Friday, Central Standard Time.

Distributed by:

Nostalgia Products LLC
1471 Partnership Dr.
Green Bay, WI 54304-5685
Customer Service
Phone: (920) 347-9122
Web: www.nostalgiaproducts.com

Customer Service Inquiry

To submit a Customer Service inquiry, go to www.nostalgiaproducts.com and fill out the Customer Service Inquiry form and click the Submit button.

A representative will contact you as soon as possible.

Product Warranty Terms

Nostalgia Products LLC (the "Company") hereby warrants that for a period of one (1) year from the date of original purchase, this product will be free of defects in material and workmanship under normal home use, provided that the product is operated and maintained in accordance with the operating instructions. As the sole and exclusive remedy under this warranty, the Company will at its discretion either repair or replace the product found to be defective, or issue a refund on the product during the warranty period. This warranty is only available to the original retail purchaser of the product from the date of initial retail purchase, and is only valid with the original sales receipt, as proof of purchase date is required to obtain warranty benefits. All warranty claims must be brought to the attention of the Company within the warranty period and no later than 30 days of the failure to perform. This warranty does not cover normal wear or damage caused by shipping, mishandling, misuse, accident, alteration, improper replacement parts, or other than ordinary household use. You may be required to return the product (with shipping prepaid by you) for inspection and evaluation. Return shipping costs are not refundable. The Company is not responsible for returns damaged or lost in transit. Unless otherwise specifically permitted by the operating instructions, this warranty applies to indoor household use only. In order to obtain service under this warranty, please contact the Company at the telephone number listed above or by filling out the Customer Service Inquiry Form located at www.nostalgiaproducts.com. Warranty valid only in USA and Canada.

This warranty is in lieu of all other warranties, expressed or implied, including warranties of merchantability and fitness for a particular purpose, which are hereby excluded to the extent permitted by law. In no event shall the Company be liable for any indirect, incidental, consequential, or special damages arising out of or in connection with this product or the use thereof. Some states, provinces or jurisdictions do not permit the exclusion or limitation of incidental or consequential damages, so the foregoing exclusion or limitation may not apply to you.

This warranty does not apply to re-manufactured merchandise.

Please read the operating instructions carefully. Failure to comply with the operating instructions will void this warranty.

For more information, visit us online at www.nostalgiaproducts.com.

Like us on Facebook at www.facebook.com/NostalgiaElectrics.

Follow our boards on Pinterest at www.pinterest.com/nostalgiaelctrx.

Tweet along with us on Twitter at www.twitter.com/NostalgiaElctrx.

¡Haga de cada día una fiesta!
Visite www.nostalgiaproducts.com para
ver más productos divertidos.

CONTENIDO

SEGURIDAD	17
SALVAGUARDIAS IMPORTANTES.	18
SALVAGUARDIAS IMPORTANTES ADICIONALES	18
INTRODUCCIÓN	19
PARTES Y ENSAMBLAJE	20
CÓMO FUNCIONA	26
CONSEJOS ÚTILES	27
LIMPIEZA Y MANTENIMIENTO	28
RECETAS	29
DEVOLUCIONES Y GARANTÍA.	31

SEGURIDAD

Su seguridad y la de otras personas es muy importante.

Hemos proporcionado numerosos mensajes de seguridad importantes en este manual y en su electrodoméstico. Siempre lea y obedezca todos los mensajes de seguridad.



Este es el símbolo de alerta de seguridad.

Este símbolo le avisa de los peligros potenciales que pueden provocar serias lesiones a usted y a otros.

Todos los mensajes de seguridad estarán precedidos por el símbolo de alerta.

Todos los mensajes de seguridad le dirán de qué peligro potencial se trata, cómo reducir la posibilidad de lesiones y qué puede ocurrir si no se obedecen las instrucciones.

Especificaciones del electrodoméstico:

120 Voltios, 60 Hz
300 vatios



ESTE PRODUCTO ES PARA USAR SOLAMENTE EN TOMAS DE CORRIENTE DE 120 VCA.

Visite www.nostalgiaproducts.com/user-manuals/ para ver el manual más actualizado.

SALVAGUARDIAS IMPORTANTES

Una persona que no haya leído y comprendido todas las instrucciones de uso y seguridad no está calificada para utilizar este aparato. Todos los usuarios de este dispositivo deben leer y comprender este Manual de instrucciones antes de utilizar o limpiar este aparato.

Cuando utiliza aparatos eléctricos, siempre se deben seguir algunas medidas básicas de seguridad que incluyen las siguientes:

1. **Read all instructions before operating this appliance.**
2. NO TOQUE las superficies calientes. Use agarraderas o mangos.
3. Este aparato NO ES UN JUGUETE.
4. Sin supervisión los niños y las personas con discapacidad intelectual nunca deben usar este aparato.
5. Una supervisión estricta se requiere cuando un aparato se use por niños o cerca de ellos.
6. Para protegerse contra descargas eléctricas no sumerja el cable, el enchufe ni ninguna parte de este aparato en agua ni en otros líquidos.
7. Desconéctelo del tomacorriente cuando no esté en uso, antes de retirar piezas y antes de la limpieza. Déjelo enfriar antes de colocar o retirar cualquiera de las piezas, y antes de la limpieza.
8. NO utilice ningún aparato con el cable o el enchufe dañados, ni si el aparato tiene desperfectos o SI se ha dañado de cualquier manera. Devolver el aparato al taller de reparación más cercano para su reparación o ajuste.
9. El fabricante no recomienda el uso de otros aditamentos o accesorios diferentes a los proporcionados por el fabricante. eL Uso de accesorios puede provocar lesiones.
10. NO utilice el aparato para usos no previstos.
11. NO utilice el aparato al aire libre. SOLO PARA USO DOMÉSTICO.
12. NO lo coloque sobre o cerca de una hornilla eléctrica o gas caliente, o en un horno caliente.
13. NO permita que el cable cuelgue sobre el borde de la mesa o del mostrador, ni que toque superficies calientes.
14. NUNCA deje la unidad desatendida mientras esté en uso o cuando esté enchufada a una toma de corriente.
15. Debe ser extremadamente cuidadoso al mover cualquier aparato con comida caliente.
16. Siempre conecte primero el enchufe al aparato, luego enchufe el cable a la toma de corriente. Para desconectar, mueva todos los controles a "off" y luego retire el enchufe del tomacorriente.

SALVAGUARDIAS IMPORTANTES ADICIONALES

Precauciones de seguridad operativa

1. NO toque el caldero y mantenga la puerta de la unidad principal cerrada mientras funciona. El calder se vuelve MUY CALIENTE durante el funcionamiento.
2. Asegúrese de que el caldero esté correctamente conectado a los soportes antes de utilizarlo y que el enchufe del motor esté conectado al caldero.
3. Revise el caldero para ver si tiene objetos extraños antes del uso.

4. NO coloque mantequilla, condimentos, o cualquier cosa aparte de pepitas de palomitas de maíz, en la Cámara de explosiones. El uso de estas sustancias puede ser peligroso y dañar la unidad.
5. NO use la unidad sin aceite ya que las pepitas de palomitas de maíz pueden provocar quemaduras o humo.
6. NO deje el motor del caldero encendido cuando hayan terminado las explosiones.
7. Tenga cuidado al vaciar las palomitas de maíz. Siempre use la manivela para vaciar las palomitas de maíz y asegúrese de que la unidad esté en una encimera para que el aceite caliente residual que sale no cause quemaduras.
8. NO utilice el aparato para otro uso que no sea el cual para el que está destinado.

Instrucciones para el cable eléctrico y el enchufe

1. El aparato tiene un enchufe polarizado (una patita más ancha). Se diseñó para reducir el riesgo de descarga eléctrica, dado que entra en un tomacorriente polarizado solo en una posición. **Si el enchufe no entra completo en el tomacorriente, inviértalo. Si aún así no entra, comuníquese con un electricista calificado. No modifique el enchufe de ninguna manera.**
2. Se provee un cable de alimentación corto para reducir el riesgo resultante de enredarse o tropezar con un cable largo.
3. Si se utiliza un cable alargador o un cable de alimentación más largo:
 - Unos cables de extensión se pueden utilizar si se tiene cuidado con su uso.
 - Las características nominales del grupo de cables o del cable de extensión deben ser al menos iguales a las del aparato.
 - Cuando se utiliza un cable largo o cable de extensión, asegúrese de que el cable no sobresalga de la encimera ni una mesa ya que se puede halar o tropezarse con el cable involuntariamente.
4. El fabricante no recomienda el uso de esta máquina en países que no admiten 120 V CA incluso si se está usando un adaptador, transformador o convertidor de voltaje.

¡GUARDE ESTAS INSTRUCCIONES!

INTRODUCCIÓN

Gracias por comprar el CARRITO PARA PALOMITAS DE MAÍZ TRADICIONAL por Nostalgia™. ¡Este carrito de palomitas de maíz estilo vendedor de 45" de alto será el éxito de cada fiesta! Disfrute hasta diez tazas de palomitas de maíz calientes y frescas cocinadas en el caldero por cada lote. Cuenta con un caldero grande de acero inoxidable con un sistema de agitación integrado. Hay un compartimento en la base de la unidad para guardar suministros, lo que permite que sea más fácil mantener el carrito bien abastecido y organizado. El CARRITO PARA PALOMITAS DE MAÍZ cuenta con un diseño fácil de limpiar, y su altura accesible hace que las servidas sean en un instante con un estilo a la antigua para disponer.

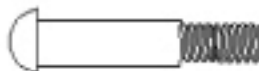
¡Visite www.nostalgiaproducts.com para averiguar qué paquetes y accesorios están disponibles para este producto!

PARTES Y ENSAMBLAJE

Accesorios



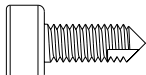
Perno No. 1 (55mm)
Cant. 4



Perno No. 2 (65mm)
Cant. 2



Tornillo No. 3 (10mm)
Cant. 2



No. 4 (10mm)
Cant. 12



Arandela plana No.5
(8mm)
Cant. 2



Arandela plana No.6
(6mm)
Cant. 2



Arandela de seguridad
No. 7 (3mm)
Cant. 2



Tuerca ciega No. 8 (M8)
Cant. 4

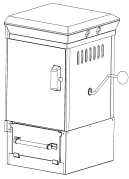


Tuerca No. 9
Cant. 2

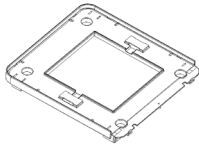


Tuerca ciega No. 10 (M6)
Cant. 2

Piezas



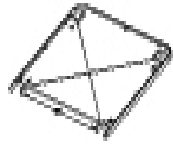
(A) Unidad principal



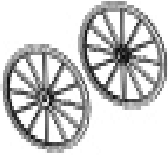
(B) Tapa superior



(C) Agarradera para empujar



(D) Placa inferior



(E) Rueda (2)



(F) Puerta



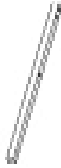
(G) Compartimiento de almacenamiento



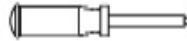
(H1) Taza para medición de granos (2 onzas)



(H2) Cucharón para medir aceite (1 cucharada)



(I) Barra de soporte (4)



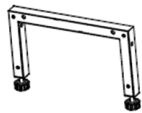
(J) Destornillador



(K1) Llave



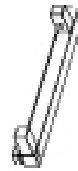
(K2) Llave



(L) Patas



(M) Barra izquierda



(N) Barra derecha

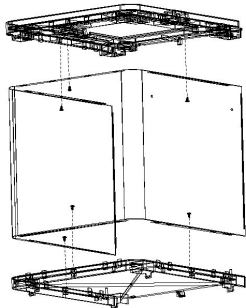


(O) Barra cruzada trasera

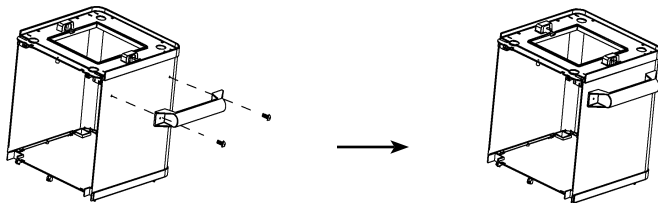
Ensamblaje

Use las herramientas provistas para ensamblaje: Llave (K1), Llave (K2), y destornillador (J).

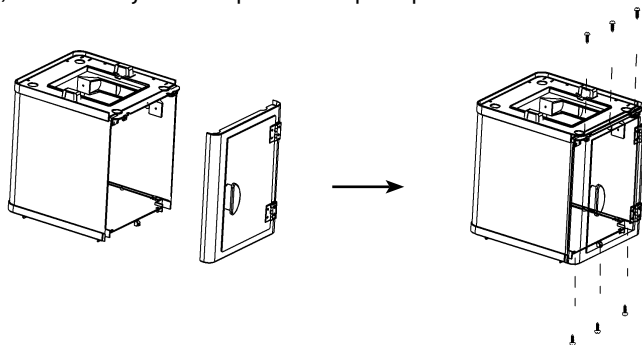
1. Utilice 6 tornillos No. 4 para ensamblar la tapa superior (B), la placa inferior (D) y el compartimiento de almacenaje (G). Asegúrese de que la "X" en la placa inferior esté hacia ABAJO y el borde plano de la tapa superior esté hacia delante.



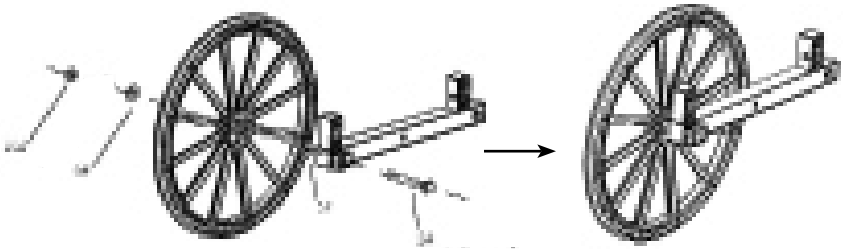
2. Coloque la agarradera para empujar (C) y el compartimiento de almacenaje (G) mediante dos tornillos No. 3, dos arandelas de seguridad No. 7 y dos tuercas No. 9. Utilice tornillos para sujetar la agarradera para empujar al exterior del compartimiento de almacenamiento. Utilice arandelas de seguridad y tuercas en el interior de compartimiento de almacenamiento para asegurar la agarradera para empujar.



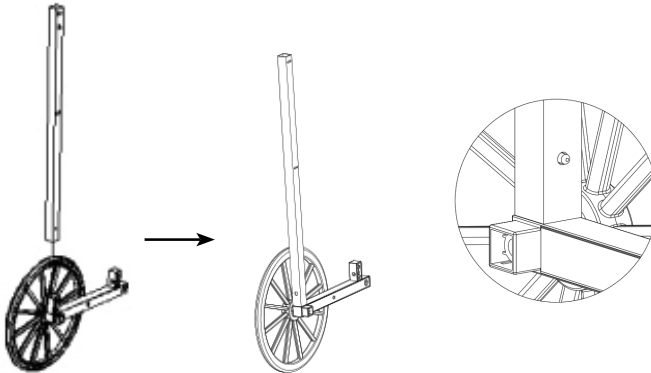
3. Levante la pieza superior de la tapa superior para que encaje la puerta (F) en su lugar. Utilice seis tornillos No. 4 para fijar la puerta (F) al ensamblaje del compartimiento principal en el Paso 2.



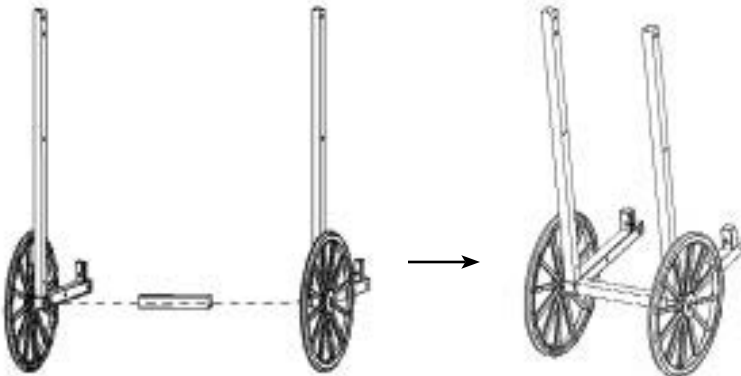
4. Conecte una rueda (E) y la barra izquierda (M) con un perno No. 2, una arandela plana No. 5, una arandela plana No. 6 y una tuerca ciega No. 10. Repita el proceso con la segunda rueda y la barra derecha (N).



5. Fijar una barra de soporte (I) a uno de los ensamblajes de las ruedas. Repita el proceso mediante el segundo ensamblaje de la rueda y la segunda barra de soporte (I).

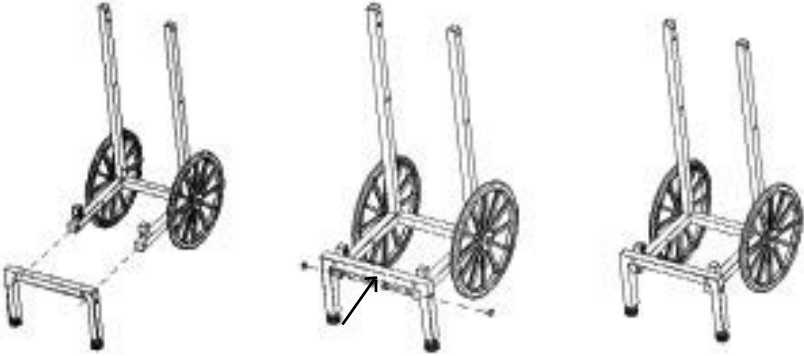


6. Utilice la barra cruzada trasera (O) para conectar los ensamblajes de las ruedas y las barras de soporte.



Ensamblaje del soporte de la base y las ruedas (continuación)

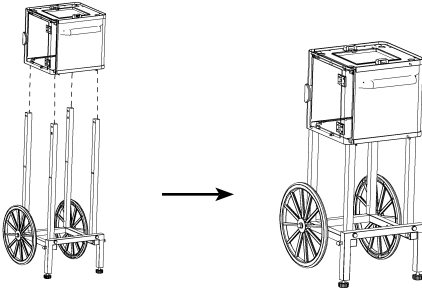
7. Utilice dos pernos No. 1 y dos tuercas ciegas No. 8 para conectar las patas (L) a la estructura de la rueda.



8. Utilice dos pernos No. 1 y tuercas ciegas No. 8 para unir ambas barras de soporte (I) para el ensamble del Paso 7.



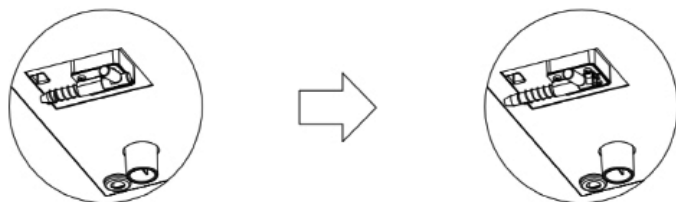
9. Conecte las partes del compartimento de almacenamiento (G) al ensamble de las ruedas/patas. Empuje hacia abajo el compartimento de almacenamiento (G) hasta que encaje en su lugar.



Ensamblaje de la unidad principal



1. Coloque la Unidad principal (A) en la parte superior del Compartimiento de almacenamiento (B).
2. Asegúrese de que los dos pasadores de inserción de la parte inferior de la Unidad principal (A) se alineen correctamente, de manera que la Unidad principal (A) pueda fijarse bajo la viga del Compartimiento de almacenamiento (C) (vea la figura 1).
3. Coloque el caldero dentro de los soportes y conecte el cable de alimentación en la base. Inserte la manivela de arranque y gírela en sentido antihorario para conectarla.



CÓMO FUNCIONA

Antes del primer uso, limpie el interior de la unidad con una esponja, toalla o paño no abrasivos húmedos y entonces séquelo con una toalla seca no abrasiva. Limpie el interior del caldero y asegúrese de que esté correctamente colocado en los soportes antes de comenzar.

1. Primero, encuentre una superficie plana cerca de un tomacorriente eléctrico antes de comenzar. Asegúrese de que el cable esté lejos de una fuente de agua. Es aceptable usar un cable de extensión si es necesario.
2. Reúna sus suministros para palomitas de maíz: palomitas de maíz, condimentos, aceite de cocina, envase para servir, taza medidora de pepitas y cuchara medidora de aceite. (El envase de servir, la taza para medir los granos y el cucharón para medir el aceite se incluyen con la unidad).
3. Enchufe el aparato en el tomacorriente mientras el interruptor se gire a la posición OFF.
4. Asegúrese de que el caldero esté fijado apropiadamente en las abrazaderas de soporte y el motor del caldero esté totalmente conectado a la toma situada en la parte inferior del caldero. El cable del caldero está situado en el techo de la unidad.
NOTA: El caldero no calentará si no se ha insertado totalmente el enchufe.
5. Encienda el aparato al mover el interruptor en la parte superior de la máquina. Permita que el aparato funcione de 3 a 5 minutos para calentar el caldero.
6. Apague la unidad.
7. Utilice el cucharón para medir aceite provisto para añadir 1 cucharada de su aceite favorito para cocinar palomitas de maíz en el caldero. Para obtener mejores resultados, se sugiere usar aceite de coco.
8. Añada ¼ tazas (2 onzas) de palomitas de maíz al caldero con la taza para medición de granos.
NOTA: NO sobrellene o empaque las pepitas en la taza medidora de pepitas ya que esto llenará el caldero. Hacerlo así podría producir más pepitas no explotadas, humo o que las pepitas se quemen.
9. Encienda la unidad y cierre la puerta. En breve escuchará las explosiones. ¡Las palomitas de maíz, frescas y calientes, comenzarán a brotar por las tapas abatibles del caldero!
NOTA: El vapor producido durante el proceso de explotación es normal.
10. Una vez que las pepitas hayan dejado de explotar, apague la unidad e incline el caldero con la perilla roja de la manivela para liberar las palomitas de maíz.
NOTA: No deje que el motor continúe funcionando después de haber explotado las palomitas de maíz.
⚠ IMPORTANTE: Tenga mucho cuidado cuando vacíe las palomitas de maíz. Siempre asegúrese de que la unidad esté en una encimera para que el aceite caliente residual que sale no cause quemaduras.

CONSEJOS ÚTILES



NUNCA deje la unidad sin supervisión mientras está en uso.

FUMAR

Si el CARRITO PARA PALOMITAS DE MAÍZ comienza a producir humo al cocinar, puede deberse a acumulación de grasa. Con el fin de reducir la producción de humo, asegúrese de limpiar el interior del caldero entre usos.

PALOMITA DE MAÍZ

El CARRITO PARA PALOMITAS DE MAÍZ está diseñado para todas las marcas premium y regulares de maíz para explotar. El maíz amarillo generalmente explota mejor que el maíz blanco, mientras que algunas marcas de pepitas tienen una cáscara dura y pueden resultar en menos granos explotados. Pruebe marcas diferentes para encontrar la que más le gusta.

Si nota que se están produciendo un montón de pepitas sin explotar, intente añadir más aceite al caldero. Más de aceite puede ayudar a explotar más pepitas.

Siempre utilice palomitas de maíz frescas. Palomitas de maíz secas, rancias o viejas no explotan bien ya que han perdido su contenido de humedad y se pueden quemar. Recomendamos guardar las palomitas de maíz en un recipiente hermético en un lugar fresco.

Ocasionalmente, las palomitas de maíz no explotan. Este suele ser el resultado de factores medioambientales tales como frescura y el contenido de humedad de las palomitas de maíz, o las variaciones del tipo de palomitas de maíz. Las pepitas no explotadas no necesariamente indican un defecto en el aparato.

Al llenar la taza medidora de pepitas, asegúrese de no sobrellenar sobre la línea marcada. El sobrellenado puede producir menos pepitas explotadas y más pepitas no explotadas que salen de la unidad. El sobrellenado puede producir humo y palomitas de maíz quemadas, ya que sobrellenará el caldero.

CONDIMENTOS

Para obtener más palomitas de maíz con mantequilla o al agregar condimentos, un poco de aceite de oliva, agua o mantequilla permitirá que los condimentos se adhieran mejor a las palomitas de maíz.



IMPORTANTE: NO coloque aceite, mantequilla, condimentos, o cualquier cosa aparte de pepitas de palomitas de maíz, en el caldero de palomitas de maíz. El uso de estas sustancias puede ser peligroso y dañar la unidad.

LIMPIEZA Y MANTENIMIENTO

Antes de limpiar, asegúrese de que el aparato esté desenchufado del tomacorriente y que el cable del caldero esté desenchufado del caldero. Deje enfriar la unidad antes de limpiar.

1. Después de haber desenchufado el el cable del caldero y se haya enfriado completamente el caldero, gire la manivela en sentido horario para aflojar y retirarlo del caldero.
2. Retire el caldero de las abrazaderas de soporte y retire el caldero de la unidad principal.
3. Llene el caldero con una pequeña cantidad de agua caliente y jabón.
NOTA: Para evitar que se moje el receptáculo del cable del caldero, **nunca permita que esté cerca de alguna clase de líquido o agua o que entre agua al receptáculo.** Nunca coloque las piezas en el lavavajillas. Siempre lávela a mano.
4. Deje que el caldero se asiente durante 15 a 20 minutos para cortar la grasa. (El tiempo para cortar la grasa puede variar - utilice su propio criterio en función de la cantidad de limpieza necesaria.)
5. Vacíe con cuidado el agua del caldero, teniendo cuidado de que no entre agua en el receptáculo del cable del caldero. Si es necesario, use el estropajo de una esponja de limpieza para fregar dentro del caldero.
6. Enjuague dentro del caldero y seque completamente con un paño no abrasivo. Limpie el exterior del caldero con un paño húmedo y luego séquelo.
7. Utilice una esponja algo húmeda y no abrasiva o un paño para limpiar el interior y el exterior de la unidad principal, así como los dispensadores de condimentos y el envase de servir. Luego limpie con una toalla no abrasiva. Para las manchas persistentes, puede usar un desengrasante cítrico en el panel de las ventanas y puertas.
IMPORTANTE: ¡No todos los desengrasantes cítricos son iguales y algunos pueden contener productos químicos que puedan dañar la unidad! Le recomendamos que pruebe el desengrasante en un lugar pequeño y discreto en la unidad para garantizar que los productos químicos no dañen los paneles.
8. Vuelva a colocar el caldero en los soportes de la unidad principal. Reemplace la manivela, al girar en sentido antihorario para apretar.

RECETAS

¡El CARRITO PARA PALOMITAS DE MAÍZ hace palomitas de maíz calientes y frescas como las del cine en cualquier momento! Disfrute de las palomitas de maíz recién hechas en una variedad de formas:

- Palomitas de maíz regulares como las del cine - añada mantequilla y sal.
- Añada una pizca de azúcar y sal a las palomitas para un sabor a maíz dulce y salado.
- Palomitas con sabor – añada condimentos de cualquier grupo de condimentos gourmet para palomitas.
- Pruebe algunas de estas divertidas recetas:

NOTA: 1 Galón = 16 Tazas

PALOMITAS DE MAÍZ CON QUESO PARMESANO

- ½ taza de palomitas de maíz (1 galón explotadas)
Explote los granos de maíz con el CARRITO PARA PALOMITAS DE MAÍZ como se indica.
- 1 cucharilla de ajo en polvo
Combine ajo en polvo, cebollas verdes, pimienta machacada, sal marina y queso parmesano. Retírelo.
- 3 cebollas verdes, picadas finamente
En un tazón grande, rocíe aceite de oliva caliente sobre las palomitas.
- ½ cucharilla de pimienta molida
Revuelva hasta que quede bien cubierto.
- 1 cucharilla de Sal marina
Agregue lentamente los ingredientes secos mientras revuelve continuamente las rosetas hasta que queden bien cubiertas.
- 1 tazas de queso parmesano, rallado (más o menos al sabor)
También puede revolver los ingredientes secos sobre las palomitas en una bolsa de papel o percal grande.
- 3 cucharadas de aceite de oliva, calentado

BOLAS DE PALOMITAS DE MAÍZ TRADICIONALES

- ½ taza de palomitas de maíz (1 galón explotadas)
Explote los granos de maíz con el CARRITO PARA PALOMITAS DE MAÍZ como se indica.
- ½ taza de sirope de maíz
Mezcle el sirope de maíz, el azúcar y la sal, en una olla y disuélvalos a fuego medio durante unos 3 minutos.
- ½ taza de azúcar
Añada palomitas a la olla, revuelva constantemente hasta que las palomitas queden cubiertas uniformemente a fuego lento.
- granulada
Retire del calor.
- ½ cucharilla de sal
Utilice mantequilla suave para formar bolas mientras que la mezcla de palomitas aún está caliente.
- 1 barra de mantequilla, suavizada
Envuelva cada bola en plástico, amárrala y guárdela a temperatura ambiente.

MONO RECHONCHO

- ½ taza de palomitas de maíz (16 galones explotadas)
- 1 bolsa de trozos de chocolate semidulces (12 onzas)
- 1 bolsa de trozos de mantequilla de maní (12 onzas)
- 1 bolsa de trozos de guineo (4.2 onzas), separados en pedacitos
- 1 bolsa de maníes (11 onzas)

Explote los granos de maíz con el CARRITO PARA PALOMITAS DE MAÍZ como se indica.

Derrita los trozos de chocolate y los trozos de mantequilla de maní en la estufa, como se recomienda en el embalaje.

Cubra la bandeja de cocinar galletas con papel cera.

Mezcle las palomitas con los trozos de guineo.

Riegue la mezcla de palomitas y trozos de guineo uniformemente sobre la bandeja para cocinar galletas.

Rocíe el chocolate derretido y le mezcla de mantequilla de maní sobre las palomitas y los trozos de guineo.

Riegue los maníes sobre la mezcla de chocolate y mantequilla de maní.

Permita que se enfríe.

Cuando el chocolate y la mantequilla de maní se hayan endurecido, separe en pedazos al Mono Rechoncho.

Puede guardarse en bolsas de plástico para congelador.

PALOMITAS DE MAÍZ CON TROZOS DE HIERBABUENA

- ½ taza de palomitas de maíz (1 galón explotadas)
- 1 bolsa de trozos de chocolate dulces u oscuros (12 onzas)
- 1¼ taza de barras hierbabuena, trituradas

Explote los granos de maíz con el CARRITO PARA PALOMITAS DE MAÍZ como se indica.

Derrita los trozos de chocolate en la estufa, como se recomienda en el embalaje.

Cubra la bandeja de cocinar galletas con papel cera.

Riegue las palomitas uniformemente sobre la bandeja para cocinar galletas.

Riegue el chocolate derretido sobre las palomitas.

Riegue las hierbabuenas trituradas sobre el chocolate.

Permita que se enfríe.

Cuando el chocolate se haya endurecido, separe en pedazos la corteza de hierbabuena.

Puede guardarse en bolsas de plástico para congelador.

DEVOLUCIONES Y GARANTÍA

SI LA UNIDAD NO FUNCIONA O ESTÁ DAÑADA AL SACARLA POR PRIMERA VEZ DE LA CAJA, DEVUÉLVALA AL LUGAR DE COMPRA INMEDIATAMENTE.

CARRITO DE PALOMITAS DE MAÍZ / NKPCRT25RW

Si tiene preguntas, contacte con nosotros por correo electrónico o por el número telefónico de servicio al cliente que aparece a continuación en el horario de 8:00 AM a 5:00 PM, de lunes a viernes, Hora Estándar del Este.

Distribuida por:

Nostalgia Products LLC
1471 Partnership Dr.
Green Bay, WI 54304-5685
Servicio al cliente
Teléfono: (920) 347-9122
Web: www.nostalgiaproducts.com

Solicitud de servicio al cliente

Para enviar una solicitud al Servicio al Cliente, vaya a www.nostalgiaproducts.com, llene el formulario de Solicitud de Servicio al Cliente y haga clic en el botón Enviar.

Un representante le contactará tan pronto como sea posible.

Términos de garantía del producto

Po este medio, Nostalgia Products LLC (la "Compañía") garantiza que por un período de un (1) año a partir de la fecha de compra original, este producto estará sin defectos en cuanto a materiales y mano de obra en uso normal en casa, siempre que el producto se maneje y mantenga de acuerdo con las instrucciones de manejo. Como único y exclusivo remedio en virtud de esta garantía, la Compañía, a su discreción, podrá optar por reparar o sustituir el producto que se encuentre defectuoso, o emitir un reembolso por el producto durante el período de garantía. Esta garantía sólo está disponible para el comprador original minorista del producto a partir de la fecha inicial de compra al por menor, y sólo es válida con el recibo de compra original, y como prueba de la fecha de compra, es necesario obtener los beneficios de la garantía. Todos los reclamos de garantía deben hacerse a la atención de la Compañía dentro del período de garantía y no más tarde que 30 días desde la imposibilidad de realizarlo. Esta garantía no cubre el desgaste normal o daños ocasionados por el embarque, malos manejos, mal uso, accidentes, alteración, piezas de cambio incorrectas, o algo distinto al uso doméstico normal. Es posible que deba devolver el producto (con los gastos de envío pagados por usted) para inspección y evaluación. Los costos de envío no son reembolsables. La empresa no se hace responsable por devoluciones dañadas o perdidas en tránsito. A menos que se indique lo contrario específicamente permitido por las instrucciones de manejo, esta garantía sólo se aplica al uso en interiores de las viviendas. Para realizar una reparación bajo esta garantía, comuníquese con la Compañía mediante el número de teléfono indicado anteriormente o al llenar el formulario de consulta para el servicio de Atención al Cliente en www.nostalgiaproduct.com. El período de garantía sólo es válido en EE.UU. y Canadá.

Esta garantía está en lugar de cualquier otra garantía, expresa o implícita, incluso las garantías de comerciabilidad y conveniencia para un propósito en particular, que quedan excluidas en la medida permitida por la ley. En ningún caso la compañía será responsable de cualquier daño indirecto, incidental, consecuente, especial o daños que surjan o estén relacionados con este producto o la utilización del mismo. Algunos estados, provincias o corregimientos no permiten la exclusión o la limitación de daños incidentales o consecuentes, por lo que la exclusión o la limitación anterior quizás no se aplique a usted.

Esta garantía no se aplica a mercancía reelaborada.

Lea las instrucciones de manejo cuidadosamente. El incumplimiento de las instrucciones de manejo anulará esta garantía.

Para obtener más información, visítenos en línea en www.nostalgiaproducts.com.

Me Gusta en Facebook en www.facebook.com/NostalgiaElectrics.

Siga nuestros consejos sobre Pinterest en www.pinterest.com/nostalgiaelctrx.

Faites de chaque jour une fête!
Visiter le site Web www.nostalgiaproducts.com pour d'autres produits amusants.

TABLE DES MATIÈRES

SÉCURITÉ	32
PRÉCAUTIONS IMPORTANTES	33
PRÉCAUTIONS IMPORTANTES ADDITIONNEL	33
INTRODUCTION	34
PIÈCES ET ASSEMBLAGE	35
COMMENT FAIRE FONCTIONNER	41
CONSEILS UTILES	42
NETTOYAGE ET ENTRETIEN	43
RECETTES	44
RETOURS ET GARANTIE	46

SÉCURITÉ

Votre sécurité et celle des autres sont très importantes.

De nombreux messages importants de sécurité se trouvent dans le présent manuel et sur votre appareil. Toujours lire et respecter toutes les consignes de sécurité.



Ceci est le symbole d'avertissement de sécurité.

Ce symbole vous signale les dangers potentiels qui peuvent blesser gravement vous et d'autres.

Tous les messages de sécurité suivront le symbole d'avertissement de sécurité.

Tous les messages de sécurité indiqueront le danger potentiel et la façon de réduire le risque de blessure et ce qui peut arriver si les consignes ne sont pas suivies.

Fiche technique de l'appareil :

120 V, 60 Hz
300 W



CE PRODUIT DOIT ÊTRE BRANCHÉ UNIQUEMENT DANS UNE PRISE DE COURANT DE 120 V CA.

Reportez-vous à www.nostalgiaproducts.com/user-manuals/ pour la version la plus récente.

PRÉCAUTIONS IMPORTANTES

Une personne qui n'a pas lu et compris toutes les instructions de fonctionnement et de sécurité n'est pas qualifiée pour faire fonctionner cet appareil. Tous les utilisateurs de cet appareil doivent lire et comprendre ce mode d'emploi avant d'utiliser ou de nettoyer cet appareil.

Lorsque l'on utilise un appareil électrique, il faut toujours respecter les précautions de base, y compris celles-ci :

1. **Lisez toutes les instructions avant d'utiliser cet appareil.**
2. NE PAS TOUCHER AUX surfaces chaudes. Utiliser les poignées ou les boutons.
3. Cet appareil n'est PAS UN JOUET.
4. Les jeunes enfants et les personnes déficientes cognitivement non supervisés ne devraient jamais faire fonctionner cet appareil.
5. Une surveillance étroite est nécessaire lorsque tout appareil est utilisé par ou à proximité des enfants.
6. Pour protéger contre les chocs électriques ne pas submerger le cordon, la fiche ni aucune partie de cet appareil dans l'eau ou d'autres liquides.
7. Toujours débrancher la prise lorsque l'appareil n'est pas en fonctionnement, avant de retirer les pièces et faire le nettoyage. Laisser refroidir avant de remettre ou de retirer les pièces et avant de faire le nettoyage.
8. NE PAS utiliser l'appareil ni avec un cordon ou une fiche électrique endommagés, ni suivant un dysfonctionnement ou une détérioration quelconque. Retournez l'appareil à l'atelier de réparation le plus proche pour examen, réparation ou réglage.
9. Le fabricant ne recommande pas l'utilisation d'accessoires autres que ceux fournis par le fabricant. L'utilisation d'accessoires peut causer des blessures.
10. NE PAS utiliser cet appareil pour toute autre utilisation pour laquelle il n'a pas été conçu.
11. NE PAS utiliser l'appareil à l'extérieur. POUR USAGE DOMESTIQUE SEULEMENT.
12. NE PAS placer sur ou près d'un brûleur à gaz ou électrique ou dans un four chauffé.
13. NE JAMAÏS laisser le cordon dépasser sur le côté d'une table ou d'un comptoir ou toucher des surfaces chaudes.
14. NE JAMAÏS laisser l'appareil sans surveillance pendant son utilisation ou lorsqu'il est branché sur une prise.
15. Une extrême prudence doit être utilisée pour déplacer un appareil contenant des liquides chauds.
16. Toujours brancher la prise de l'appareil tout d'abord, puis branchez dans la prise murale. Pour débrancher l'appareil, revenir sur le bouton « arrêt » (off), puis débrancher la fiche de la prise murale.

PRÉCAUTIONS IMPORTANTES ADDITIONNEL

Mesures de sécurité d'exploitation

1. NE PAS toucher à la marmite et gardez la porte de l'appareil fermée durant le fonctionnement. La marmite deviendra TRÈS CHAUDE durant le fonctionnement.
2. Assurez-vous que la marmite est bien attachée aux supports avant de la mettre en marche et que le moteur est branché à la marmite.

3. Vérifiez en cas d'objets étrangers dans la marmite avant de l'utiliser.
4. NE PAS mettre du beurre, des assaisonnements ou autres que des grains de maïs et de l'huile dans la marmite. L'utilisation de toutes autres substances peut causer des dangers et peut endommager l'appareil.
5. NE PAS faire fonctionner la machine sans l'huile car les grains de maïs pourraient brûler voire fumer.
6. NE PAS laisser le moteur de la marmite fonctionner une fois que le maïs a cessé d'éclater.
7. Soyez prudent lorsque vous videz le maïs éclaté. Toujours utiliser la manivelle pour vider le maïs éclaté et assurez-vous que l'appareil est au-dessus d'un comptoir afin que l'huile chaude résiduelle s'écoulant ne brûle rien.
8. N'employez PAS l'appareil pour une autre utilisation que celle pour laquelle elle à été conçue.

Directives pour le cordon électrique et la fiche

1. Cet appareil a une fiche polarisée (une lame est plus large que l'autre). Pour réduire le risque de choc électrique, cette fiche est conçue pour tenir dans une prise polarisée que dans un sens. **Si vous n'arrivez pas à insérer entièrement la fiche dans la prise, branchez-la dans l'autre sens. Si elle ne s'enfonce toujours pas, contactez un électricien qualifié. Ne pas tenter de modifier la fiche d'aucune façon.**
2. Un cordon d'alimentation court est fourni pour réduire les risques d'enchevêtrement ou risques de trébucher sur un cordon plus long.
3. Si une longue corde ou une rallonge électrique détachable est utilisée :
 - Rallonges électriques peuvent être utilisées avec prudence.
 - Les caractéristiques électriques du câble ou de la rallonge doivent être au moins aussi grandes que la puissance nominale de l'appareil.
 - Lorsque vous utilisez une corde plus longue ou rallonge électrique, assurez-vous que celle-ci ne pende pas au-delà du comptoir ou d'une table où elle peut faire trébucher ou être tirée.
4. Le fabricant ne recommande pas d'utiliser cette machine dans les pays qui ne prend pas en charge 120V AC même si un adaptateur de tension, transformateur ou convertisseur est utilisé.

CONSERVER CES CONSIGNES!

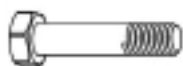
INTRODUCTION

Merci d'avoir acheté le CHARIOT À MAÏS SOUFFLÉ de Nostalgia™. Ce chariot de 1,1 m (45 po) de hauteur rappelle les chariots des vendeurs ambulants et aura beaucoup de succès dans chacune de vos fêtes. Déguster jusqu'à dix tasses de maïs soufflé chaud et frais par utilisation. Il comprend une grande marmite en inox et un système de brasage intégré. Il y a un compartiment à la base de l'appareil pour ranger les fournitures, ce qui permet de garder le chariot bien approvisionné et organisé. Le chariot à maïs soufflé est facile à nettoyer grâce à sa conception et accessible par sa hauteur ce qui facilite le service dans un style vieillot.

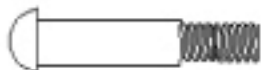
Visiter www.nostalgiaproducts.com pour savoir quels trousseaux et accessoires sont disponibles pour ce produit !

PIÈCES ET ASSEMBLAGE

Matériel



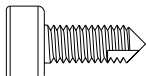
Boulon n° 1 (55 mm)
Qté 4



Boulon n° 2 (65 mm)
Qté 2



Vis n° 3 (10 mm)
Qté 2



Vis n° 4 (10 mm)
Qté 12



Rondelle plate n° 5
(8 mm)
Qté 2



Rondelle plate n° 6
(6 mm)
Qté 2



Rondelle de blocage
n° 7 (3 mm)
Qté 2



Écrou borgne n° 8 (M8)
Qté 4

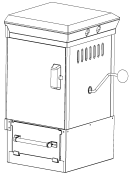


Écrou borgne n° 8 (M8)
Qté 4

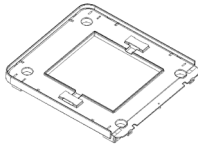


Écrou borgne n° 10 (M6)
Qté 2

Pièces



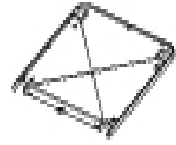
(A) Appareil principal



(B) Plaque du dessus



(C) Poignée-poussoir



(D) Plaque du fond



(E) Roue (2)



(F) Portes



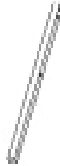
(G) Compartiment de rangement



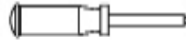
(H1) Tasse à mesurer les grains de maïs (2 oz)



(H2) Cuillère à mesurer l'huile (1 cuillère à table)



(I) Barre de soutien(4)



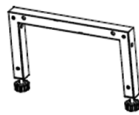
(J) Tournevis



(K1) Clé



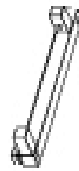
(K2) Clé



(L) Pieds



(M) Barre de gauche



(N) Barre de droite

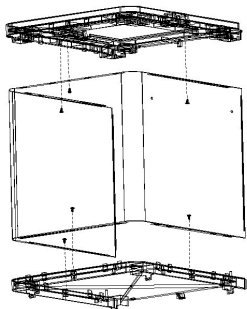


(O) Barre transversale arrière

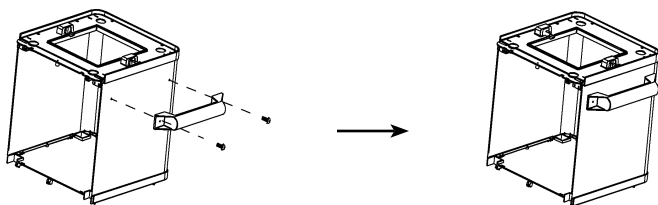
Assemblage

Se servir des outils fournis pour l'assemblage : Clé (K1), clé (K2), et tournevis (J).

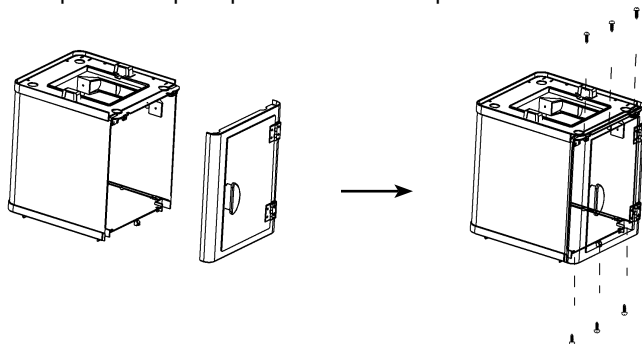
1. Utiliser 6 vis n° 4 pour assembler le Couvercle supérieur (B), la Plaque du fond (D) et le Compartiment de rangement (G). S'assurer que le "X" de la Plaque du fond est orienté vers le bas et le bord plat du Couvercle supérieur est orienté vers l'avant.



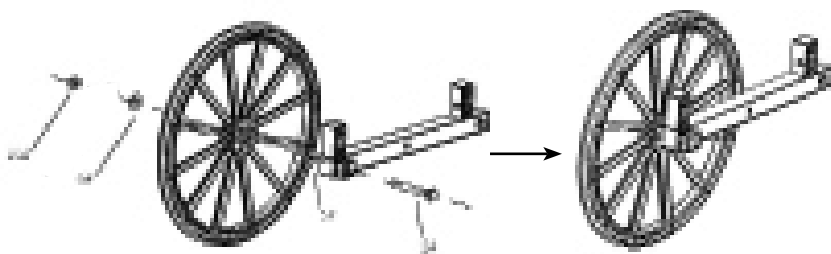
2. Installer la Poignée-poussoir (C) au Compartiment de rangement (G) à l'aide de deux vis n° 3, deux rondelles de blocage n° 7 et deux écrous n° 9. Utiliser des vis pour fixer la Poignée-poussoir vers l'extérieur du Compartiment de rangement. Utiliser les rondelles de blocage et les écrous du côté intérieur du Compartiment de rangement pour fixer la Poignée-poussoir.



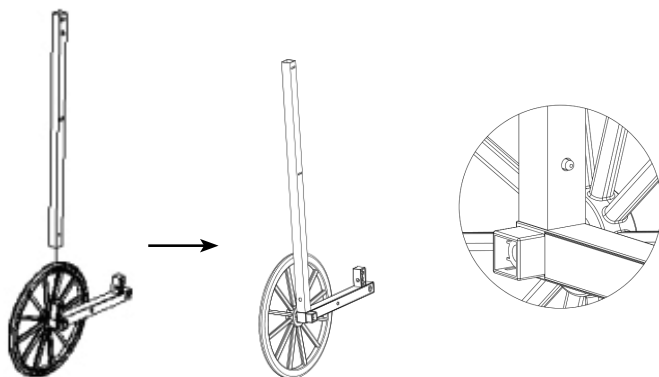
3. Soulever la pièce du dessus du Couvercle supérieur pour fixer la porte (F) en place. Utiliser 6 vis n° 4 pour fixer la Porte (F) au Compartement principal assemblée à l'Étape 2.



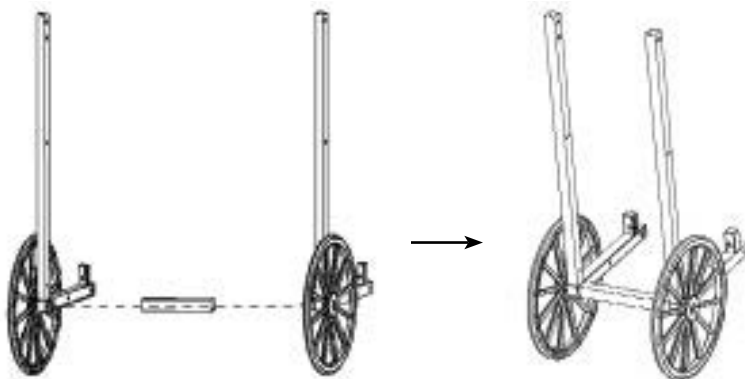
4. Installer une Roue (E) et la Barre de gauche (M) à l'aide d'un boulon n° 2, une rondelle plate n° 5, une rondelle plate n° 6 et un écrou borgne n° 10. Répéter la même étape pour la seconde roue et la Barre de droite (N).



5. Fixer la Barre de soutien (I) à une des roues équipées. Répéter la même étape pour la deuxième roue équipée et pour la seconde Barre de soutien (I).

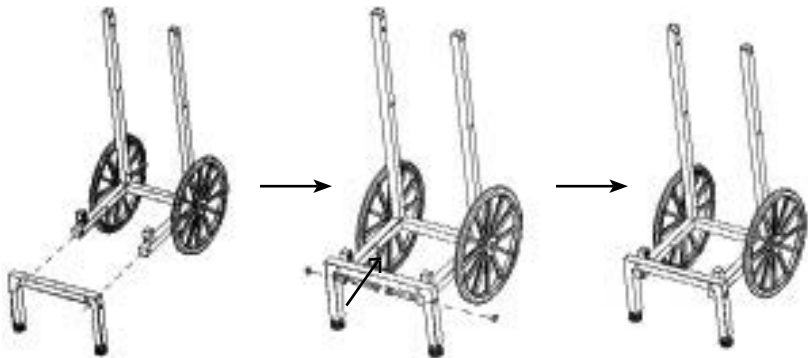


6. Utiliser la Barre transversale arrière (O) pour installer la roue et la Barre de soutien équipée.

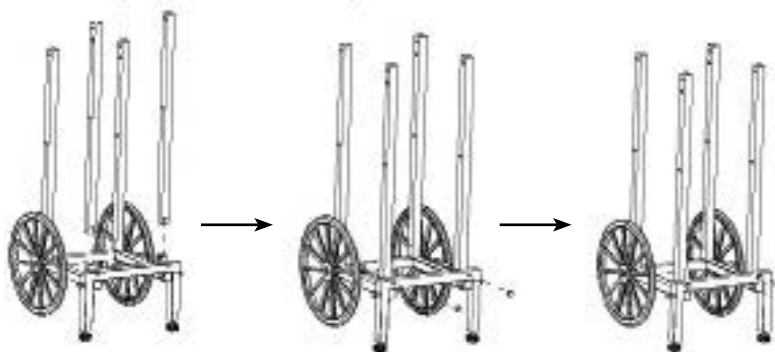


Assemblage du Support de base et des roues (suite)

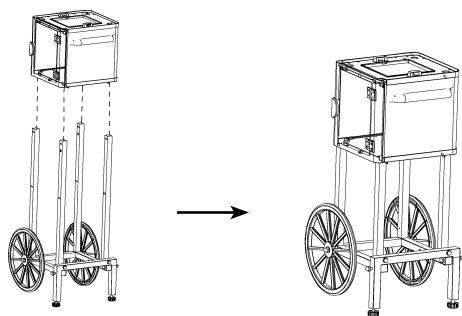
7. Utiliser deux écrous n° 1 et deux écrous borgnes n° 8 pour assembler les Pieds (L) à la structure de la roue.



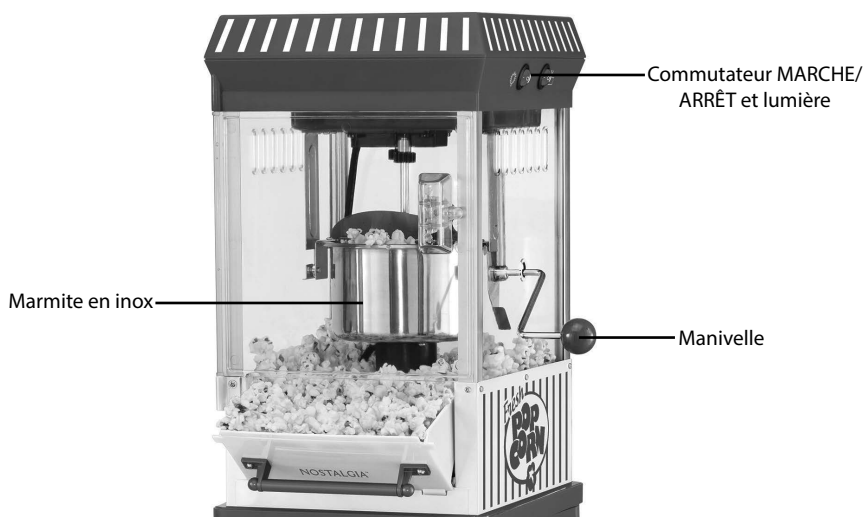
8. Utiliser deux écrous n° 1 et deux écrous borgnes n° 8 pour fixer les deux Barres de soutien (I) assemblé à l'étape 7.



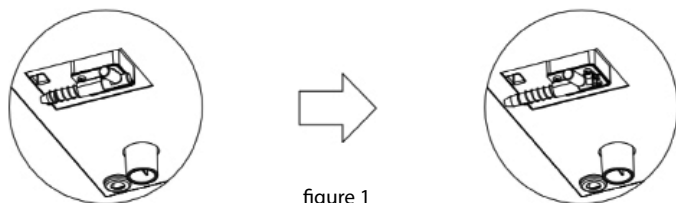
9. Installer les parties du Compartiment de rangement assemblé (G) aux roues/pieds équipés. Pousser le Compartiment de rangement (G) vers le bas jusqu'à ce qu'il soit en place.



Assemblage de l'appareil principal




1. Poser l'Appareil principal (A) sur le dessus du Compartiment de rangement (B).
2. S'assurer que les deux goupilles d'insertion à la base de l'Appareil principal (A) s'alignent correctement de manière à ce que l'Appareil principal (A) puisse se verrouiller sous la barre du Compartiment de rangement (C) (voir figure 1).
3. Mettre la Marmite dans les supports et brancher le cordon à la base. Insérer la manivelle et tourner dans le sens antihoraire pour fixer.



COMMENT FAIRE FONCTIONNER

Avant la première utilisation, nettoyer l'intérieur de l'appareil en l'essuyant avec une éponge, serviette ou chiffon non abrasif puis essuyer avec une serviette sèche non-abrasive. Essuyer l'intérieur du chaudron et s'assurer qu'il est correctement placé dans les supports avant de commencer.

1. Tout d'abord, trouver une surface plane à proximité d'une prise électrique avant de commencer. S'assurer que le cordon est éloigné de toute source d'eau. Il est acceptable d'utiliser une rallonge si nécessaire.
2. Regrouper vos provisions pour obtenir le maïs éclaté: grains de maïs, assaisonnements, huile de cuisson, bol de service, tasse à mesurer les grains et cuillère pour mesurer l'huile. (Le bol de service, la tasse à mesurer les grains et la cuillère pour mesurer l'huile sont inclus avec votre appareil.)
3. Brancher l'appareil à la prise murale alors que le commutateur est en a position ÉTEINTE.
4. S'assurer que le chaudron est bien fixé dans les pattes des supports et que le cordon du moteur du chaudron est bien branché dans la prise située sur le bas inférieur du chaudron. Le cordon du moteur du chaudron est situé au plafond de l'appareil.
REMARQUE : Le chaudron ne chauffera pas si la prise n'est pas entièrement insérée.
5. Allumer l'appareil à la position ALLUMÉE en basculant l'interrupteur sur le dessus de la machine. Laisser l'appareil fonctionner 3 à 5 minutes pour faire chauffer le chaudron.
6. ÉTEINDRE l'appareil.
7. Utiliser la cuillère à mesurer l'huile fournie, pour ajouter 1 cuillère à soupe de votre huile à cuisson préférée au maïs du chaudron. Pour de meilleurs résultats il est suggéré d'employer l'huile de noix de coco.
8. Ajouter la tasse $\frac{1}{4}$ (2 onces.) de grains de maïs soufflé au chaudron utilisant la tasse à mesurer les grains fournie.
REMARQUE : NE PAS trop remplir ou entasser les grains dans la tasse à mesurer car cela produira un refoulement dans le chaudron. Ce faisant cela peut donner lieu à plus de grains non éclatés et donner des grains fumés ou brûlés.
9. Allumer l'unité et fermer la porte. En un rien de temps vous entendrez l'éclatement des grains commencer. Du maïs soufflé frais, chaud, va commencer à jaillir des rabats sur le chaudron !
REMARQUE : La vapeur produite pendant le processus d'éclatement est normale.
10. Une fois que les grains ont cessé d'éclater, éteindre l'appareil et faire pencher le chaudron en utilisant le bouton rouge de la manivelle pour libérer le maïs soufflé.
REMARQUE : Ne pas laisser le moteur fonctionner après que le maïs soufflé soit éclaté.
 **IMPORTANT**: Utiliser la plus grande prudence lors de la vidange du maïs soufflé. Toujours s'assurer que l'appareil est placé sur un comptoir de sorte que l'huile chaude résiduelle qui s'écoule ne cause pas de brûlures.

CONSEILS UTILES



Ne jamais laisser l'unité sans surveillance lorsqu'il est en fonction.

CHAUFFAGE

Si votre CHARIOT À MAÏS SOUFFLÉ commence à fumer pendant la cuisson cela peut être dû à la graisse accumulée. Afin de réduire la fumée s'assurer de nettoyer l'intérieur du chaudron entre les utilisations.

MAÏS ÉCLATÉ

Le CHARIOT À MAÏS SOUFFLÉ est conçu pour toutes les marques d'appareil à faire éclater le maïs régulières et de meilleure qualité. Le maïs jaune éclate généralement mieux que le maïs blanc tandis que certaines marques de grains ont une coquille extérieure plus dure et cela peut résulter en moins de grains éclatés. Essayer différentes marques pour trouver ce qui vous convient le mieux.

Si vous remarquez que vous obtenez beaucoup de grains non éclatés, essayer d'ajouter plus d'huile à cuisson au chaudron. Plus d'huile peut aider à faire éclater plus de grains.

Toujours utiliser du maïs à éclater frais. Séché, rassis ou vieux le maïs soufflé éclate mal car il a perdu sa teneur en humidité et peut brûler. Nous recommandons d'entreposer le maïs soufflé dans un récipient hermétique dans un endroit frais.

De temps en temps le maïs éclaté n'éclate pas. Cela est généralement le résultat de facteurs environnementaux tels que la fraîcheur et la teneur en humidité du maïs soufflé ou les différences dans les types de maïs soufflé. Des grains non éclatés ne signifient pas nécessairement un défaut de l'appareil.

Lors du remplissage de la tasse à mesurer les grains, s'assurer de ne pas remplir au-dessus de la ligne marquée. Un remplissage insuffisant peut faire qu'il y a moins de grains à éclater et plus de grains non éclatés qui sortiront de l'appareil. Le sur-remplissage peut faire que le maïs soufflé brûle et fume puisqu' il surcharge le chaudron.

ASSAISONNEMENTS

Pour un maïs soufflé à plus de saveur de beurre ou quand on ajoute les assaisonnements, une giclée d'huile d'olive, eau ou beurre permettront aux assaisonnements de mieux coller au maïs éclaté.



IMPORTANT: NE PAS placer le beurre, les assaisonnements ou autre chose que les grains de maïs soufflé dans le chaudron à maïs soufflé. L'utilisation de ces matières peut provoquer des dangers et peut endommager l'appareil.

NETTOYAGE ET ENTRETIEN

Avant le nettoyage, s'assurer que l'appareil est débranché de la prise murale et que le cordon du chaudron est débranché du chaudron. Permettre à l'unité de se refroidir complètement avant le nettoyage.

1. Après que le cordon du chaudron ait été débranché et que le chaudron a complètement refroidi, tourner la manivelle dans le sens horaire pour desserrer et retirer le chaudron.
2. Enlevez le chaudron des supports et sortir le chaudron hors de l'unité principale.
3. Après avoir retiré le chaudron de l'unité principale, le remplir avec une petite quantité d'eau chaude savonneuse.

REMARQUE : Pour protéger le réceptacle à cordon du chaudron de se mouiller, **ne jamais permettre de l'eau ou un liquide quelconque à proximité ou dans le réceptacle à cordon du chaudron.** Ne jamais placer aucune pièce dans le lave-vaisselle. Toujours laver à la main.

4. Laisser le chaudron reposer pendant 15 à 20 minutes afin de couper la graisse. (Le temps exigé pour couper la graisse peut changer - employez votre propre jugement selon la quantité de nettoyage nécessaire.)
5. Soigneusement vider l'eau du chaudron en prenant soin de ne pas envoyer de l'eau dans le réceptacle à cordon du chaudron. Si nécessaire, utiliser le côté du tampon à récurer d'une éponge pour brosser l'intérieur du chaudron.
6. Rincer l'intérieur du chaudron soigneusement et sécher avec une serviette non-abrasive. Essuyer l'extérieur du chaudron avec un chiffon humide puis sécher.
7. Utiliser une éponge légèrement humide, non-abrasive, serviette ou chiffon pour essuyer l'intérieur et l'extérieur de l'unité principale aussi bien que les distributeurs d'assaisonnements et bol de service. Puis essuyer avec une serviette non-abrasive pour faire sécher. Pour les taches tenaces, un dégraissant aux agrumes peut être utilisé sur les panneaux de la vitre et de la porte.

IMPORTANT: Pas tous les dégraissants aux agrumes sont les mêmes et certains peuvent contenir des produits chimiques qui peuvent endommager votre appareil ! Nous recommandons de vérifier le dégraissant sur une petite surface non visible de l'unité pour s'assurer que les produits chimiques n'endommageront pas vos panneaux.

8. Remettre la marmite dans les supports de l'unité principale. Enfin, vissez la manivelle, tournant dans le sens antihoraire pour serrer.

RECETTES

Le CHARIOT À MAÏS SOUFLÉ fait du maïs soufflé chaud n'importe quand, comme si vous étiez au cinéma! Vous pouvez déguster votre maïs soufflé, fraîchement éclaté de diverses façons :

- Maïs soufflé comme au cinéma – ajouter du beurre et du sel.
- Ajouter une pincée de sucre et de sel au maïs soufflé pour donner un petit goût sucré.
- Maïs soufflé aromatisé – ajouter les assaisonnements de votre kit d'assaisonnement à maïs soufflé pour gourmet.
- Goûter quelques-unes de ces recettes amusantes :

REMARQUE : 4,5 l (1 gallon) = 16 tasses

MAÏS SOUFLÉS AU PARMESAN

- ½ tasse de maïs soufflé
 - (4,5 l (1 gallon) de maïs éclaté)
 - 1 c. à thé de poudre d'ail
 - 3 oignons verts, finement coupés
 - ½ c. à thé de poivre concassé
 - 1 c. à thé de sel de mer
 - 1 tasse de parmesan râpé (plus ou moins selon le goût)
 - 3 cuillères à soupe d'huile d'olive chaude
- Faites éclater les grains de maïs dans votre CHARIOT À MAÏS SOUFLÉ tel qu'indiqué dans la section COMMENT FAIRE FONCTIONNER.
- Combiner la poudre d'ail, les oignons verts, le poivre concassé, le sel de mer et le parmesan. Mettre de côté.
- Dans un grand bol à mélanger, verser l'huile d'olive chaude sur le maïs soufflé.
- Mélanger jusqu'à ce qu'il soit bien imprégné.
- Ajouter doucement les ingrédients secs tout en mélangeant comme il faut.
- Vous pouvez également saupoudrer les ingrédients secs sur le maïs soufflé dans un grand sac de papier et secouer le tout.

BOULES DE MAÏS SOUFLÉ TRADITIONNELLES

- ½ Cup Popcorn (1 gallon popped)
 - ½ Cup Corn Syrup
 - ½ Cup Granulated Sugar
 - ½ Tsp. Salt
 - 1 Stick of Butter, softened
- Faites éclater les grains de maïs dans votre CHARIOT À MAÏS SOUFLÉ tel qu'indiqué dans la section COMMENT FAIRE FONCTIONNER.
- Mélanger le sirop de maïs, le sucre et le sel dans une casserole et dissoudre à feu moyen pendant environ 3 minutes.
- Ajouter à feu doux le maïs à éclater dans la casserole et mélanger jusqu'à ce que le maïs soufflé soit enrobé d'une manière égale.
- Retirer du feu.
- Utiliser le beurre ramolli pour faire des boules alors que le mélange de maïs soufflé est encore chaud.
- Emballer les boules individuellement dans un sac en plastique, attacher et ranger à température ambiante.

SINGE JOUFFLU

- ½ tasse de maïs soufflé (4,5 l (1 gallon) de maïs éclaté)
Faites éclater les grains de maïs dans votre CHARIOT À MAÏS SOUFFLÉ tel qu'indiqué dans la section COMMENT FAIRE FONCTIONNER.
- 1 [340 g, (12 oz)] sac de brisures de chocolat mi-sucré
Faire fondre les grains de chocolat et les morceaux de beurre d'arachide sur le poêle, comme mentionné sur l'emballage.
- 1 [340 g, (12 oz)] sac de beurre d'arachide en morceaux
Tapisser une plaque à biscuits de papier ciré.
Mélanger le maïs soufflé et les croustilles de banane.
- 1 [119 g (4,2 oz)] sac de croustilles de bananes émietées
Étaler le maïs soufflé et le mélange des chips de bananes uniformément sur la plaque à biscuits.
- 1 [312 g, (11 oz)] sac d'arachides
Mettre un filet de chocolat fondu et le mélange de beurre d'arachide sur le maïs soufflé et les chips de bananes.
Saupoudrer les arachides sur le chocolat et le mélange de beurre d'arachide.
Laisser refroidir.
Lorsque le chocolat et le beurre d'arachide ont refroidi et durci, couper le Singe joufflu en morceaux.
Peut être conservé dans des sacs à congélation.

ÉCORCE AU MAÏS SOUFFLÉ ET À LA MENTHE

- ½ tasse de maïs soufflé (4,5 l (1 gallon) de maïs éclaté)
Faites éclater les grains de maïs dans votre CHARIOT À MAÏS SOUFFLÉ tel qu'indiqué dans la section COMMENT FAIRE FONCTIONNER.
- 1 [340 g, (12 oz)] sac de chocolat mi-sucré ou noir
Faire fondre les brisures de chocolat sur une poêle, comme mentionné sur l'emballage.
- Brisures de chocolat
Tapisser une plaque à biscuits de papier ciré.
- 1¼ tasse de bâtons de menthe poivrée, concassés
Étaler le maïs soufflé sur la plaque à biscuits.
Mettre un filet de chocolat fondu sur le maïs soufflé.
Saupoudrer les cannes de bonbon émietées sur le chocolat.
Laisser refroidir.
Lorsque le chocolat a refroidi et durci, briser l'écorce au maïs soufflé et à la menthe en morceaux.
Peut être conservé dans des sacs à congélation.

RETOURS ET GARANTIE

SI VOTRE APPAREIL NE FONCTIONNE PAS OU S'IL EST ENDOMMAGÉ QUAND VOUS LE RETIREZ DE LA BOÎTE, VEUILLEZ LE RETOURNER IMMÉDIATEMENT À L'ENDROIT OÙ IL A ÉTÉ ACHETÉ.

CHARIOT À MAÏS SOUFLÉ / NKPCRT25RW

Pour toute question, communiquer par courriel ou au numéro de téléphone du service à la clientèle, entre 08 h 00 et 17 h 00, du lundi au vendredi, heure normale du Centre.

Distribué par :

Nostalgia Products LLC
1471 Partnership Dr.
Green Bay, WI 54304-5685
Service à la clientèle
Téléphone : (920) 347-9122
Site Web : www.nostalgiaproducts.com

Demande pour le service à la clientèle

Pour soumettre une demande au service à la clientèle, rendez vous au www.nostalgiaproducts.com puis remplissez le formulaire de demande au service à la clientèle puis cliquez sur le bouton Soumettre.

Un représentant vous contactera dès que possible.

Conditions de garantie du produit

Le groupe Nostalgia Products LLC (référé tel « l'Entreprise ») garantit que pour une période d'un (1) an en date d'achat, ce produit est sans défaut de matériel et de fabrication selon une utilisation normale à domicile, seulement si le fonctionnement et l'entretien du produit sont conformes aux directives fournies. À titre de réparation exclusive et entière sous cette garantie, l'Entreprise pourra à sa discrétion, réparer ou remplacer le produit défectueux, voire émettre un remboursement du produit durant la période couverte sous garantie. Cette garantie n'est disponible seulement qu'à l'acheteur d'origine du produit, en date d'achat au détail dudit produit et sera valide uniquement avec le reçu de caisse d'origine, à titre de preuve d'achat, lequel est requis pour obtenir les bienfaits reliés à cette garantie. Toute réclamation doit être rapportée à l'attention de l'Entreprise dans la fenêtre de la période de la garantie, sans dépasser 30 jours à défaut de performance. Cette garantie ne couvre pas l'usure normale ou dommage cause par l'expédition, la mauvaise manipulation, la mauvaise utilisation, les accidents, les modifications, les mauvaises pièces de remplacement, voire toute autre utilisation anormale du produit à domicile. Il est possible que vous ayez à retourner le produit (avec les frais de retour prépayés par vous) pour une inspection et une évaluation. Les frais des coûts de retour ne sont pas remboursables. L'Entreprise n'est aucunement responsable pour les retours endommagés ou perdus en transit. Autrement que spécifiquement permis selon les directives de fonctionnement, cette garantie s'applique à une utilisation à domicile à d'intérieur seulement. Afin d'obtenir un service couvert sous cette garantie, veuillez contacter l'Entreprise au numéro de téléphone inclut ci-haut ou en remplissant le formulaire de demande au service à la clientèle, sur le site www.nostalgiaproducts.com. La garantie est valide seulement aux États-Unis et au Canada.

Cette garantie prévaut toute autre garantie, expresse ou implicite incluant les garanties de qualité marchande ou ayant une aptitude pour une intention en particulier, lesquelles sont exclues selon la loi. Sous aucun prétexte l'Entreprise ne pourra être tenue responsable pour tout dommage indirect, accidentel, conséquentiel ou spécial provenant de ou en relativité avec ce produit ou son utilisation. Certains états, provinces ou juridictions n'allouent pas l'exclusion ou la limitation de tels dommages accidentels ou conséquentiels, donc l'exclusion ou limitation suscitée peut ne pas s'appliquer à vous.

Cette garantie ne s'applique pas à la marchandise de renaissance.

Veillez lire les directives de fonctionnement attentivement. Ne pas se conformer aux directives de fonctionnement annulera cette garantie.

Pour plus d'informations, visitez notre site Web à www.nostalgiaproducts.com.

Aimez-nous sur Facebook à l'adresse [www.facebook.com / NostalgiaElectrics](http://www.facebook.com/NostalgiaElectrics).
Suivez nos conseils sur Pinterest à [www.pinterest.com / nostalgialctrx](http://www.pinterest.com/nostalgiaelctrx).

