

NOSTALGIA™

P R O D U C T S

All products are trademarks of Nostalgia Products LLC.
Worldwide design & utility patented or patents pending.
© 2023 Nostalgia Products LLC.

www.nostalgiaproducts.com

(rev. 08/09/23 SN)

NOSTALGIA™



NKPCRT2548
SERIES

Vintage Popcorn Cart

Carrito para palomitas al estilo del cine antiguo

Chariot à popcorn de cinéma d'antan

Instructions and Recipes

Instrucciones y Recetas

Instructions et Recettes

Make everyday a party!
 Visit www.nostalgiaproducts.com for more fun products.

CONTENTS

SAFETY 2

IMPORTANT SAFEGUARDS 3

ADDITIONAL IMPORTANT SAFEGUARDS. 3

INTRODUCTION 4

PARTS & ASSEMBLY 5

HOW TO OPERATE 10

HELPFUL TIPS 11

CLEANING & MAINTENANCE 11

RECIPES 12

RETURNS & WARRANTY 14

SAFETY

Your safety and the safety of others is very important.

We have provided many important safety messages in this manual and on your appliance. Always read and obey all safety messages.



This is the safety alert symbol.

This symbol alerts you to potential hazards that can cause serious injury to you and others.

All safety messages will follow the safety alert symbol.

All safety messages will tell you what the potential hazard is, tell you how to reduce the chance of injury, and tell you what can happen if the instructions are not followed.

Appliance Specifications:

120 Volts, 60 Hz
 300 Watts



THIS PRODUCT IS FOR USE IN 120V AC OUTLET ONLY.

Refer to www.nostalgiaproducts.com/user-manuals/ for the most updated manual.

IMPORTANT SAFEGUARDS

A person who has not read and understood all operating and safety instructions is not qualified to operate this appliance. All users of this appliance must read and understand this Instruction Manual before operating or cleaning this appliance.

When using electrical appliances, basic safety precautions should always be followed, including:

1. **Read all instructions before operating this appliance.**
2. DO NOT TOUCH the hot surfaces. Use handles or knobs.
3. This appliance is NOT A TOY.
4. Unsupervised young children and cognitively challenged individuals should never operate this appliance.
5. Close supervision is necessary when any appliance is used by or near children.
6. To protect against electrical shock do not immerse cord, plug or any part of this unit in water or other liquids.
7. Unplug from outlet when not in use, before removing parts and before cleaning. Allow to cool before putting on or taking off any parts, and before cleaning.
8. DO NOT operate any appliance with a damaged cord or plug, or after the appliance malfunctions, or if the appliance has been damaged in any manner. Return the appliance to the nearest repair shop for examination, repair or adjustment.
9. The manufacturer does not recommend the use of accessory attachments other than what is provided by the manufacturer. Use of attachments may cause injuries.
10. DO NOT use the appliance for other than its intended use.
11. DO NOT use outdoors. FOR HOUSEHOLD USE ONLY.
12. DO NOT place on or near a hot gas or electric burner, or in a heated oven.
13. DO NOT let cord hang over edge of table or counter, or touch hot surfaces.
14. NEVER leave unit unattended while in use or when plugged into an outlet.
15. Extreme caution must be used when moving an appliance containing hot food.
16. Always attach plug to appliance first, then plug cord in the wall outlet. To disconnect, turn any control to "off," then remove plug from wall outlet.

ADDITIONAL IMPORTANT SAFEGUARDS

Operating Safety Precautions

1. DO NOT touch kettle and keep door of main unit closed while operating. Kettle gets VERY HOT during operation.
2. Ensure the Kettle is properly attached to brackets before operating and that the motor plug is plugged into the Kettle.
3. Check Kettle for presence of foreign objects prior to use.

4. DO NOT place butter, seasonings, or anything other than popcorn kernels and oil into the Kettle. Use of these substances may cause hazards and may damage the unit.
5. DO NOT operate unit without oil as the popcorn kernels may burn or smoke.
6. DO NOT leave Kettle motor running once popping has ceased.
7. Exercise caution when emptying popcorn. Always use Crank Handle to empty popcorn, and make sure the unit is over a countertop so that residual hot oil running out will not cause burns.
8. DO NOT use the appliance for other than its intended use.
9. Be sure legs are assembled and fastened properly.
10. See instructions regarding assembly of leg on pages 7 - 8.

Instructions for the Electrical Cord and Plug

1. ELECTRICAL SHOCK HAZARD: Failure to follow these instructions can result in death, fire, or electrical shock.
 - Plug into a grounded 3 prong outlet.
 - DO NOT remove ground prong.
 - DO NOT use an adapter.
 - DO NOT use an extension cord.
2. This unit **MUST** be grounded. In the event of an electrical short circuit, grounding reduces the risk of electric shock by providing an escape wire for the electric current. This unit is equipped with a cord having a grounding wire with a grounding plug. The plug must be plugged into an outlet that is properly installed and grounded.
3. **WARNING:** Improper use of the grounding plug can result in a risk of electric shock. **If the plug does not fit fully into the outlet, contact a qualified electrician. Do not attempt to modify the plug in any way.**
4. A short power supply cord is provided to reduce the risk resulting from becoming entangled or tripping over a long cord.
5. The manufacturer does not recommend using this machine in countries that do not support 120V AC even if a voltage adapter, transformer, or converter is in use.

SAVE THESE INSTRUCTIONS!

INTRODUCTION

Thank you for purchasing the VINTAGE POPCORN CART! This 48" tall vendor-style popcorn cart will be the hit of every party. It pops up to ten cups of hot, kettle cooked popcorn per batch. Providing a vintage look and feel, the unit features a compartment in the base of the unit to store supplies, making it easy to keep the cart well stocked and organized. Popcorn has never tasted so good at home!

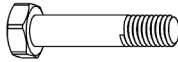
Visit www.nostalgiaproducts.com to find out which kits and accessories are available for this product!

PARTS & ASSEMBLY

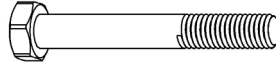
Hardware



#1 Bolt (10mm)
Qty. 10



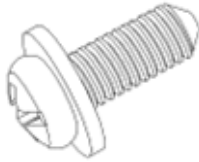
#2 Bolt (38mm)
Qty. 2



#3 Bolt (60mm)
Qty. 2



#4 Screw (10mm)
Qty. 4



#5 Screw (15mm)
Qty. 2



#6 Lock Screw
Qty. 2



#7 Flat Washer (8mm)
Qty. 6



#8 Locking Washer
Qty. 2



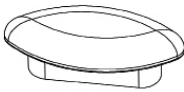
#9 Magnet
Qty. 1



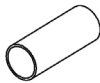
#10 Nut Cap
Qty. 2



#11 Nut
Qty. 2

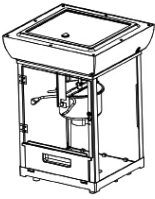


#12 Door Handle
Qty. 1

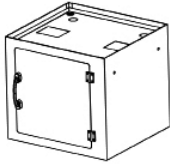


#13 Sleeve Barrel
Qty. 2

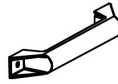
Parts



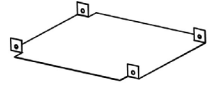
(A) Main Unit



(B) Storage Compartment



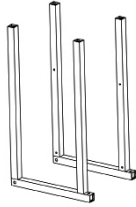
(C) Push Handle



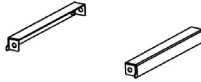
(D) Bottom Plate



(E) Wheel (2)



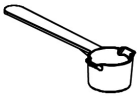
(F) Base Support
Qty. 2



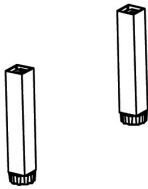
(G) Cross Bar
Qty. 2



(H1) Kernel Measuring
Cup (2-oz.)



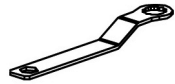
(H2) Oil Measuring
Spoon (1 Tbsp.)



(I) Leg
Qty. 2



(J) Popcorn Scoop



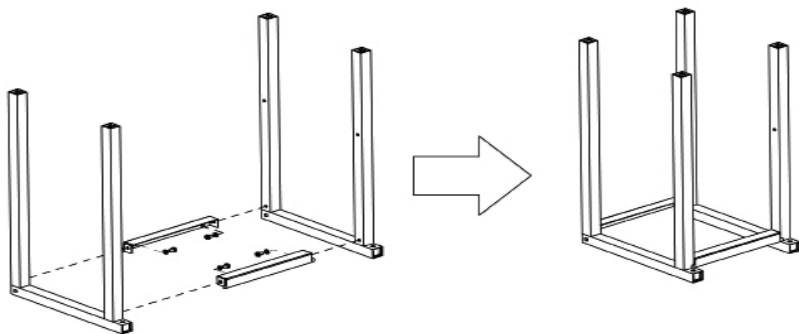
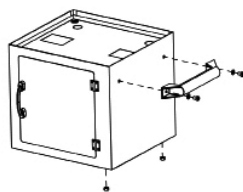
(K1) Wrench



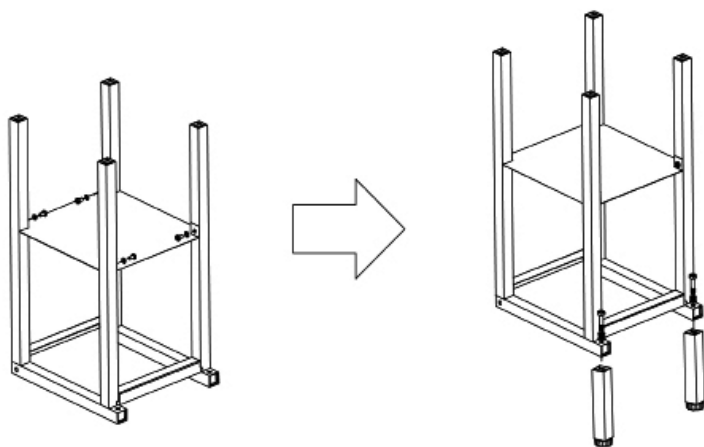
(K2) Wrench

Assembly of Base Support

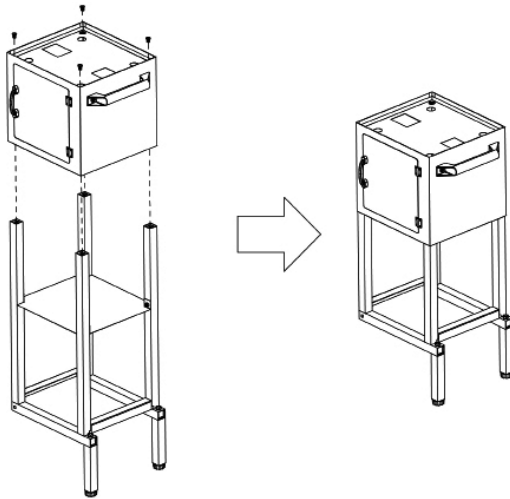
1. Attach Push Handle (C) from inside Storage Compartment (B) using two #1 Bolts. Attach two #11 Nuts to bottom.
2. Attach Cross Bar (G) to Base Support (F) and secure with four #1 Bolts.



3. Secure Bottom Plate (D) to Base Support (F) using four #1 Bolts.
4. Attach Legs (I) to protruding ends of Base Support (F) using two #2 Bolts.

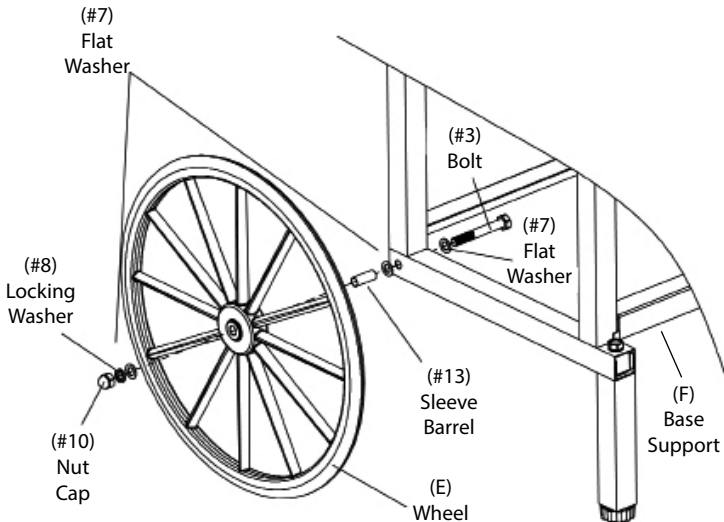


5. Assemble Base Support (F) into the bottom of the Storage Compartment (B) and secure with four #4 Screws.

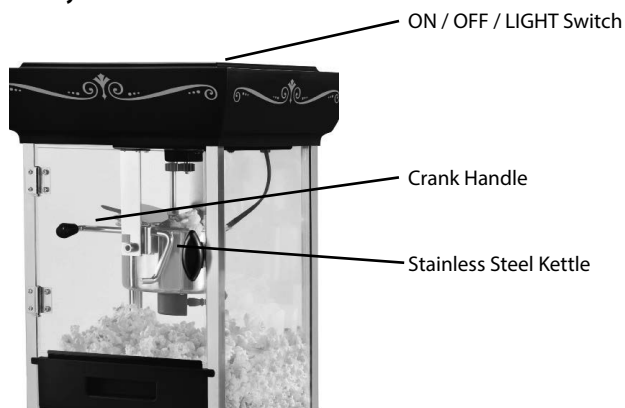


Assembly of Wheels

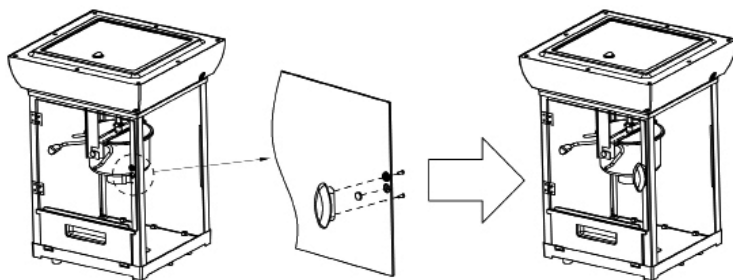
1. Place #7 Flat Washer onto #3 Bolt and insert into pre-drilled hole on inside of Base Support (F).
2. Put #7 Flat Washer and #13 Sleeve Barrel on end of inserted #3 Bolt.
3. Attach the Wheel (E) to the #3 Bolt. Place #7 Flat Washer and #8 Locking Washer on Wheel (E). Use the end of Wrench (K2) with small notch to hold the #3 Bolt in place. While holding #3 Bolt in place, tighten the #10 Nut Cap with Wrench (K1).
4. Repeat on other side, following the directions above. **IMPORTANT:** If the legs or cart feel wobbly or unstable, please review the assembly steps and ensure steps have been properly followed.



Assembly of Main Unit



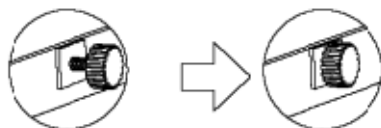
Attaching Door Handle



1. Attach #9 Magnet to transparent door of Main Unit (A).
2. Place #12 Door Handle using two #5 Screws.
3. Place Main Unit (A) onto the top of the Storage Compartment (B).

Locking Main Unit to Storage Compartment

Place the Main Unit (A) onto the Storage Compartment (B) so that the two side holes match up. Lock by tightening the #6 Lock Screws as shown below:



HOW TO OPERATE

Before first use, clean the inside of the unit by wiping with a moist, non-abrasive sponge, towel or cloth and then wipe with a non-abrasive dry towel. Wipe down the inside of the Kettle and be sure it is properly placed in the brackets before starting.

1. First, find a flat surface near an electrical outlet before starting. Make sure your cord is away from any water source. It is acceptable to use an extension cord if needed.
2. Gather your popcorn making supplies: popcorn, seasonings, cooking oil, Serving Bowl, Kernel Measuring Cup and Oil Measuring Spoon. (Serving Bowl, Kernel Measuring Cup and Oil Measuring Spoon are included with your unit.)
3. Plug the appliance into the wall outlet while switch is flipped to OFF position.
4. Make sure Kettle is properly secured in the support brackets, and kettle motor cord is fully plugged into the outlet located on the bottom side of the kettle. The kettle cord is located on the ceiling of the unit.
NOTE: Kettle will not heat if plug is not fully inserted.
5. Turn appliance ON by flipping the switch on the top of the machine. Allow the appliance to run 3-5 minutes to heat up the Kettle.
6. Turn unit OFF.
7. Use the supplied Oil Measuring Spoon to add 3 scoops (3 tablespoons) of your favorite popcorn cooking oil to the Kettle. For best results, it is suggested to use coconut oil.
8. Add $\frac{1}{4}$ cup (2 oz.) popcorn kernels to the Kettle using the supplied Kernel Measuring Cup.
NOTE: DO NOT overfill or pack kernels into Kernel Measuring Cup as this will crowd the Kettle. Doing so may result in more unpopped kernels and cause kernels to smoke or burn.
9. Turn the unit ON and close the door. In no time at all, you will hear the popping begin. Fresh, hot popcorn will begin to burst out of the flip lids on the Kettle!
NOTE: Steam produced during the popping process is normal.
10. Once the kernels have stopped popping, turn the unit OFF and tip the Kettle using the red knob on the Crank Handle to release the popcorn.
NOTE: Do not allow motor to continue to run after popcorn is done popping.
⚠ IMPORTANT: Extreme caution must be used when emptying popcorn. Always make sure the unit is over a countertop so that residual hot oil running out will not cause burns.
11. After each batch of popcorn, check for and empty any unpopped kernels from the Kernel Catcher.

HELPFUL TIPS

SMOKING

If your POPCORN CART begins to smoke during cooking, it may be due to grease build up. In order to reduce smoking, make sure that you clean the inside of the Kettle between uses.

POPCORN

The POPCORN CART is designed for all regular and premium brands of popping corn. Yellow corn generally pops better than white corn, while some brands of kernels have a harder outer shell and may result in fewer popped kernels. Try different brands to find which you like best.

If you notice you are experiencing a lot of unpopped kernels, try adding more oil to the Kettle. More oil may help pop more kernels.


Always use fresh popcorn. Dried out, stale, or old popcorn pops poorly as it has lost its moisture content and may scorch. We recommend storing popcorn in an airtight container in a cool place.

Occasionally popcorn does not pop. This is usually the result of environmental factors such as freshness and moisture content of the popcorn, or variances of popcorn type. Unpopped kernels do not necessarily indicate a defect in the appliance.

When filling the Kernel Measuring Cup, make sure to not fill above the marked line. Underfilling can cause less kernels to pop and more unpopped kernels to come out of the unit. Overfilling can cause popped corn to burn and smoke, as it will overflow the Kettle.

SEASONING

For more buttery popcorn or when adding seasonings, a spritz of olive oil, water or butter will allow the seasonings to better stick to the popcorn.

 **IMPORTANT:** DO NOT place butter, seasonings, or anything other than popcorn kernels into the popcorn Kettle. Use of these substances may cause hazards and may damage the unit.

CLEANING & MAINTENANCE

1. Make sure appliance is unplugged before cleaning. Unplug the outer plug to the outlet as well as the Kettle motor plug inside the Main Unit (A).
2. Use slightly damp, non-abrasive sponge, towel or cloth to wipe down the inside and outside of Main Unit (A), then wipe with a non-abrasive towel to dry.
3. Unplug Kettle motor and remove Kettle from support brackets.
4. Take Kettle out of the Main Unit (A). After removing Kettle from Main Unit (A), fill $\frac{2}{3}$ of Kettle with hot, soapy water.
5. Let the Kettle sit for 15 – 20 minutes to cut the grease. (Time may vary – use your own judgment depending on the amount of cleaning necessary)
6. Empty water. If necessary, use the scrubber side of a cleaning sponge to scrub inside of Kettle.
7. Rinse inside carefully and dry.
8. Wipe outside of Kettle with damp cloth and dry.

NOTE: To protect the motor plug from getting wet, **never immerse the Kettle in any liquid**. Never place any parts in the dishwasher. Always wash by hand.

RECIPES

The POPCORN CART makes hot, fresh, theater style popcorn every time – anytime!

Enjoy your freshly popped corn in a variety of ways:

- Regular theater style popcorn – add butter and salt.
- Add a pinch of sugar and salt to popcorn for a sweet kettle corn taste.
- Flavored popcorn – add seasoning from any gourmet popcorn seasoning kit.
- Try some of these fun recipes!

NOTE: 1 Gallon = 16 Cups

PARMESAN POPCORN

- 1 Gallon Popped Corn Pop corn kernels using the POPCORN CART as directed in the HOW TO OPERATE section.
- 1 Tsp. Garlic Powder
- 3 Green Onions, finely chopped Combine garlic powder, green onions, cracked pepper, sea salt and parmesan cheese. Set aside.
- ½ Tsp. Cracked Pepper In a large mixing bowl, drizzle heated olive oil over popcorn.
- 1 Tsp. Sea Salt Toss until well coated.
- 1 Cup Parmesan Cheese, grated (more or less to taste) Slowly add in dry ingredients while continuously stirring popcorn until well coated.
- 3 Tbsp. Olive Oil, heated You may also shake the dry ingredients over popcorn in a large paper or muslin bag.

TRADITIONAL POPCORN BALLS

- ½ Cup Unpopped Corn Kernels Pop corn kernels using the 2.5 OZ. STAINLESS STEEL POPCORN CART as directed in the HOW TO OPERATE section.
- ½ Cup Corn Syrup
- ½ Cup Granulated Sugar Mix corn syrup, sugar and salt together in pot and dissolve over medium heat for about 3 minutes.
- ½ Tsp. Salt Add popcorn to pot, stirring and tossing consistently until popcorn is evenly coated at low heat.
- 1 Stick of Butter, softened Remove from heat.

Use softened butter to form balls while popcorn mixture is still warm.

Wrap individual balls in plastic wrap, tie and store at room temperature.

CHUNKY MONKEY

- 1 Gallon Popped Corn Pop corn kernels using the POPCORN CART as directed in the HOW TO OPERATE section.
 - 1 (12-oz.) Bag Semi-Sweet Chocolate Chips Melt chocolate chips and peanut butter morsels over stove, as packaging recommends.
 - 1 (12-oz.) Bag Peanut Butter Morsels Line cookie sheet with wax paper.
 - 1 (4.2-oz.) Bag Banana Chips, broken into small pieces Toss together popcorn and banana chips.
 - 1 (11-oz.) Bag Peanuts Spread popcorn and banana chip mixture evenly over cookie sheet.
- Drizzle melted chocolate and peanut butter mixture over popcorn and banana chips.
- Sprinkle peanuts over chocolate and peanut butter mixture.
- Allow to cool.
- When chocolate and peanut butter has hardened, break up the Chunky Monkey into pieces.
- Can be stored in plastic freezer bags.

POPCORN PEPPERMINT BARK

- 1 Gallon Popped Corn Pop corn kernels using the POPCORN CART as directed in the HOW TO OPERATE section.
 - 1 (12-oz.) Bag Semi-Sweet or Dark Chocolate Chips Melt chocolate chips over stove, as packaging recommends.
 - 1¼ cup Peppermint Sticks, crushed Line cookie sheet with wax paper.
- Spread popcorn evenly over cookie sheet.
- Drizzle melted chocolate over popcorn.
- Sprinkle crushed peppermints over chocolate.
- Allow to cool.
- When chocolate has hardened, break up Popcorn Peppermint Bark into pieces.
- Can be stored in plastic freezer bags.

RETURNS & WARRANTY

SHOULD YOUR UNIT NOT WORK OR IF DAMAGED WHEN YOU FIRST TAKE IT OUT OF THE BOX, PLEASE RETURN IT TO THE PLACE OF PURCHASE IMMEDIATELY.

VINTAGE POPCORN CART / NKPCRT2548SERIES

Should you have any questions, please contact us via email or at the customer service number listed below between the hours of 9:00 AM and 4:00 PM, Monday through Friday, Central Standard Time.

Distributed by:

Nostalgia Products LLC
1471 Partnership Dr.
Green Bay, WI 54304-5685
Customer Service
Phone: (920) 347-9122
Web: www.nostalgiaproducts.com

Customer Service Inquiry

To submit a Customer Service inquiry, go to www.nostalgiaproducts.com and fill out the Customer Service Inquiry form and click the Submit button.

A representative will contact you as soon as possible.

Product Warranty Terms

Nostalgia Products LLC (the "Company") hereby warrants that for a period of one (1) year from the date of original purchase, this product will be free of defects in material and workmanship under normal home use, provided that the product is operated and maintained in accordance with the operating instructions. As the sole and exclusive remedy under this warranty, the Company will at its discretion either repair or replace the product found to be defective, or issue a refund on the product during the warranty period. This warranty is only available to the original retail purchaser of the product from the date of initial retail purchase, and is only valid with the original sales receipt, as proof of purchase date is required to obtain warranty benefits. All warranty claims must be brought to the attention of the Company within the warranty period and no later than 30 days of the failure to perform. This warranty does not cover normal wear or damage caused by shipping, mishandling, misuse, accident, alteration, improper replacement parts, or other than ordinary household use. You may be required to return the product (with shipping prepaid by you) for inspection and evaluation. Return shipping costs are not refundable. The Company is not responsible for returns damaged or lost in transit. Unless otherwise specifically permitted by the operating instructions, this warranty applies to indoor household use only. In order to obtain service under this warranty, please contact the Company at the telephone number listed above or by filling out the Customer Service Inquiry Form located at www.nostalgiaproducts.com. Warranty valid only in USA and Canada.

This warranty is in lieu of all other warranties, expressed or implied, including warranties of merchantability and fitness for a particular purpose, which are hereby excluded to the extent permitted by law. In no event shall the Company be liable for any indirect, incidental, consequential, or special damages arising out of or in connection with this product or the use thereof. Some states, provinces or jurisdictions do not permit the exclusion or limitation of incidental or consequential damages, so the foregoing exclusion or limitation may not apply to you.

This warranty does not apply to re-manufactured merchandise.

Please read the operating instructions carefully. Failure to comply with the operating instructions will void this warranty.

For more information, visit us online at www.nostalgiaproducts.com.

Like us on Facebook at www.facebook.com/NostalgiaElectrics.

Follow our boards on Pinterest at www.pinterest.com/nostalgiaelctr.

Tweet along with us on Twitter at www.twitter.com/NostalgiaElctr.

¡Convierta todos los días en una fietsa!
Visite www.nostalgiaproducts.com para
ver más productos divertidos.

CONTENIDO

SEGURIDAD	15
SALVAGUARDIAS IMPORTANTES.	16
SALVAGUARDIAS IMPORTANTES ADICIONALES	16
INTRODUCCIÓN	17
PIEZAS Y ENSAMBLE	18
CÓMO FUNCIONA	23
CONSEJOS ÚTILES	24
LIMPIEZA Y MANTENIMIENTO	25
RECETAS	26
DEVOLUCIONES Y GARANTÍA.	28

SEGURIDAD

Su seguridad y la seguridad de los demás es muy importante.

Hemos incluido varios mensajes importantes de seguridad en este manual y en su aparato. Siempre lea y cumpla con todos los mensajes de seguridad.



Éste es un símbolo de alerta de seguridad.

Este símbolo le avisa de los peligros potenciales que pueden provocar serias lesiones a usted y a otros.

Todos los mensajes de seguridad tendrán el símbolo de alerta de seguridad.

Todos los mensajes de seguridad le dirán cuál es el peligro potencial, cómo reducir la probabilidad de daños y qué puede suceder si no se siguen las instrucciones.

Especificaciones del electrodoméstico:

120 Volts, 60 Hz
300 Watts

ESTE PRODUCTO ES PARA USO EN SALIDA 120V AC SOLAMENTE.

Visite www.nostalgiaproducts.com/user-manuals/ para ver el manual más actualizado.



SALVAGUARDIAS IMPORTANTES

Una persona que no haya leído y comprendido todas las instrucciones de uso y seguridad no está calificada para utilizar este aparato. Todos los usuarios de este dispositivo deben leer y comprender este Manual de instrucciones antes de utilizar o limpiar este aparato.

Cuando utiliza aparatos eléctricos, siempre se deben seguir algunas medidas básicas de seguridad que incluyen las siguientes:

1. **Lea todas las instrucciones antes de utilizar este aparato.**
2. NO TOQUE las superficies calientes. Use agarraderas o mangos.
3. Este aparato NO ES UN JUGUETE.
4. Los niños pequeños sin supervisión y las personas con limitación cognitiva nunca deben utilizar este aparato.
5. Una supervisión estricta se requiere cuando un aparato se use por niños o cerca de ellos.
6. Como medida de protección contra el riesgo de descarga eléctrica, no sumerja el cable, los enchufes ni ninguna otra parte de la unidad en agua ni en otros líquidos.
7. Desconéctelo del tomacorriente cuando no esté en uso, antes de retirar piezas y antes de la limpieza. Déjelo enfriar antes de colocar o retirar cualquiera de las piezas, y antes de la limpieza.
8. NO utilice ningún aparato con el cable o el enchufe dañados, ni si el aparato tiene desperfectos o SI se ha dañado de cualquier manera. Devolver el aparato al taller de reparación más cercano para su reparación o ajuste.
9. El fabricante no recomienda el uso de otros aditamentos o accesorios diferentes a los proporcionados por el fabricante. El uso de accesorios puede provocar lesiones.
10. NO utilice el aparato para otros usos que no haya sido diseñado.
11. NO utilice el aparato al aire libre. SOLO PARA USO DOMÉSTICO.
12. NO lo coloque sobre o cerca de una hornilla eléctrica o gas caliente, o en un horno caliente.
13. NO permita que el cable cuelgue sobre el borde de la mesa o del mostrador, ni que toque superficies calientes.
14. NUNCA deje la unidad desatendida mientras esté en uso o cuando esté enchufada a una toma de corriente.
15. Debe ser extremadamente cuidadoso al mover cualquier aparato con comida caliente.
16. Siempre conecte primero el enchufe al aparato, luego enchufe el cable a la toma de corriente. Para desconectar, mueva todos los controles a "apagar" y luego retire el enchufe del tomacorriente.

SALVAGUARDIAS IMPORTANTES ADICIONALES

Precauciones de seguridad operativa

1. NO toque el caldero y mantenga la puerta de la unidad principal cerrada mientras funciona. El caldero se vuelve MUY CALIENTE durante el funcionamiento.
2. Asegúrese de que el caldero esté correctamente conectado a los soportes antes de utilizarlo y que el enchufe del motor esté conectado al caldero.

3. Revise el caldero para ver si tiene objetos extraños antes del uso.
4. NO coloque mantequilla, condimentos, o cualquier cosa aparte de pepitas de palomitas de maíz, en la Cámara de explosiones. El uso de estas sustancias puede ser peligroso y dañar la unidad.
5. NO use la unidad sin aceite ya que las pepitas de palomitas de maíz pueden provocar quemaduras o humo.
6. NO deje el motor del caldero encendido cuando hayan terminado las explosiones.
7. Tenga cuidado al vaciar las palomitas de maíz. Siempre use la manivela para vaciar las palomitas de maíz y asegúrese de que la unidad esté en una encimera para que el aceite caliente residual que sale no cause quemaduras.
8. NO utilice el aparato para otro uso que no sea el cual para el que está destinado.
9. Asegúrese de que las patas estén ensambladas y sujetas correctamente
10. Consulte las instrucciones sobre el montaje de la pata en las páginas 20 - 21.

Instrucciones para el cable eléctrico y el enchufe

1. RIESGO DE DESCARGA ELÉCTRICA: El incumplimiento de estas instrucciones puede resultar en la muerte, incendio o descarga eléctrica.
 - Enchufe en un tomacorrientes de 3 patas con conexión a tierra.
 - NO retire la patilla de conexión de tierra.
 - NO utilice un adaptador.
 - NO utilice un cable de extensión.
2. La unidad DEBE conectarse a tierra. En caso de un corto circuito, la conexión a tierra reduce el riesgo de descarga eléctrica al proporcionar un cable de escape para la corriente eléctrica. Esta unidad está provista de un cable que tiene un cable a tierra con un enchufe a tierra. Se debe enchufar en un tomacorriente de pared instalado apropiadamente y conectado a tierra.
3. ADVERTENCIA: El uso incorrecto de la toma de tierra puede resultar en riesgo de sufrir una descarga eléctrica. **Si el enchufe no entra completo en el tomacorriente, contacte a un electricista calificado. No trate de modificar el enchufe de ninguna manera.**
4. Se provee un cable de alimentación corto para reducir el riesgo resultante de enredarse o tropezar con un cable largo.

El fabricante no recomienda el uso de esta máquina en países que no admiten 120V CA incluso si se está usando un adaptador, transformador o convertidor de voltaje.

¡GUARDE ESTAS INSTRUCCIONES!

INTRODUCCIÓN

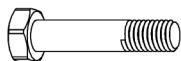
Gracias por comprar el CARRITO PARA PALOMITAS AL ESTILO DEL CINE ANTIGUO. Este carro de palomitas de maíz estilo vendedor de 48" de altura será un éxito en cada fiesta. En cada tanda se pueden elaborar en el caldero hasta diez tazas de palomitas de maíz calientes y frescas. Proporcionando un estilo y un sentimiento antiguos que hacen recordar las casas del cine silente y los carnavales de principios de los años 1900s, hay un compartimiento en la base de la unidad para almacenar suministros, de modo que sea fácil mantener el carrito bien abastecido y organizado. Palomitas nunca ha sabido tan bueno como en casa! Visite www.nostalgiaproducts.com para saber qué kits y accesorios están disponibles para este producto!

PIEZAS Y ENSAMBLAJE

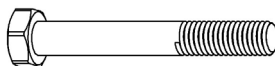
Tornillería



#1 Perno (10mm)
Cantidad 10



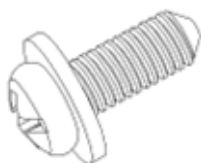
#2 Perno (38mm)
Cantidad 2



#3 Perno (60mm)
Cantidad 2



#4 Tornillo (10mm)
Cantidad 4



#5 Tornillo (15mm)
Cantidad 2



#6 Tornillo de Bloqueo
Cantidad 2



#7 Arandela plana
(8mm) Cantidad 6



#8 Arandela de
retención Cantidad 2



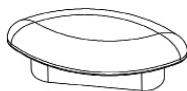
#9 Imán
Cantidad 1



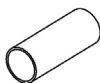
#10 Tuerca ciega
Cantidad 2



#11 Tuerca
Cantidad 2

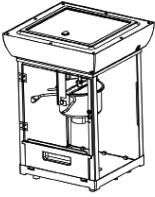


#12 Manija de puerta
Cantidad 1

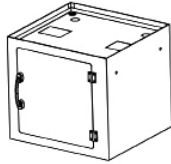


#13 Cilindro
Cantidad 2

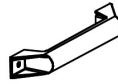
Piezas



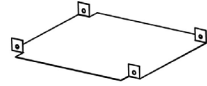
(A) Unidad principal



(B) Compartimiento de almacenamiento



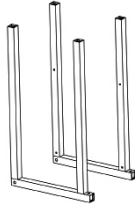
(C) Manija



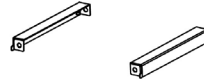
(D) Placa base



(E) Rueda (2)



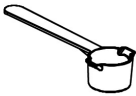
(F) Soporte de la base
Cantidad 2



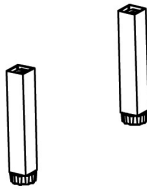
(G) Barra transversal
Cantidad 2



(H1) Medidor
Taza (2-oz.)



(H2) Cuchara para medir
el aceite (1 cucharada)



(I) Patas
Cantidad 2



(J) Cuchara para recoger
las palomitas de maíz



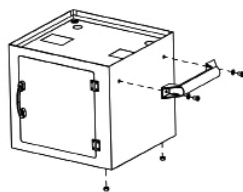
(K1) Llave



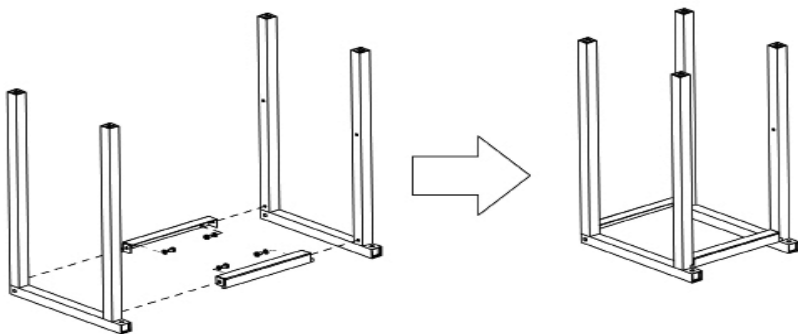
(K2) Llave inglesa

Montaje del soporte de la base

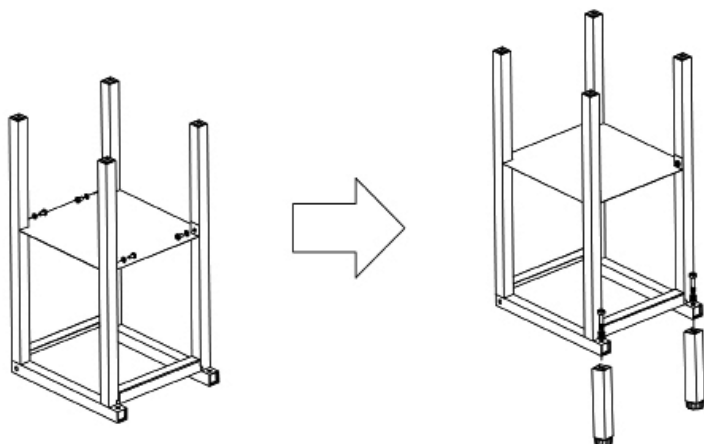
1. Coloque la manija (C) desde dentro del Compartimiento de almacenamiento (B) utilizando los dos Pernos #. Coloque dos Tuercas #11 en la parte inferior.



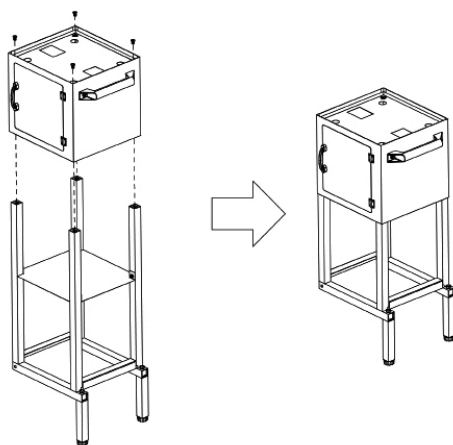
2. Coloque la Barra transversal (G) en el Soporte de la base (F) y asegúrela con cuatro Pernos #1.



3. Coloque la Placa base (D) en el Soporte de la base (F) y asegúrela con cuatro Pernos #1.
4. Coloque las Patas (I) a los extremos sobresalientes del Soporte de la base (F) utilizando dos Pernos #2.

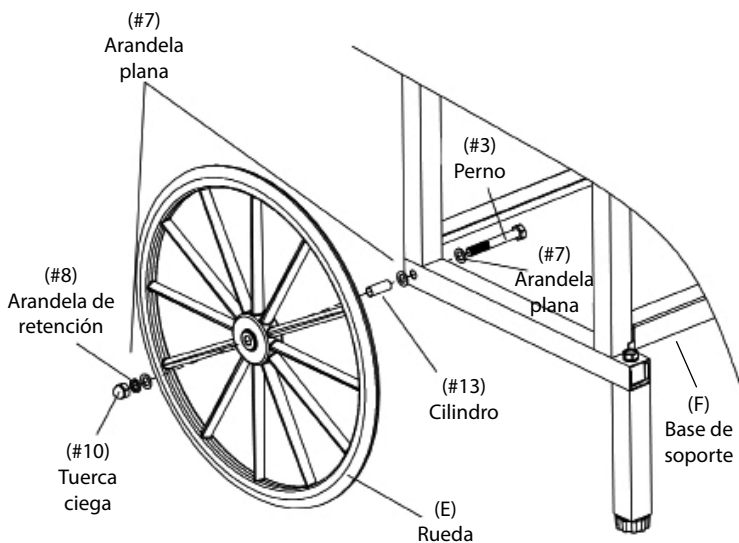


5. Monte el Soporte de la base (F) dentro del Compartimiento de almacenamiento (B) y asegúrelo con cuatro tornillos #4.

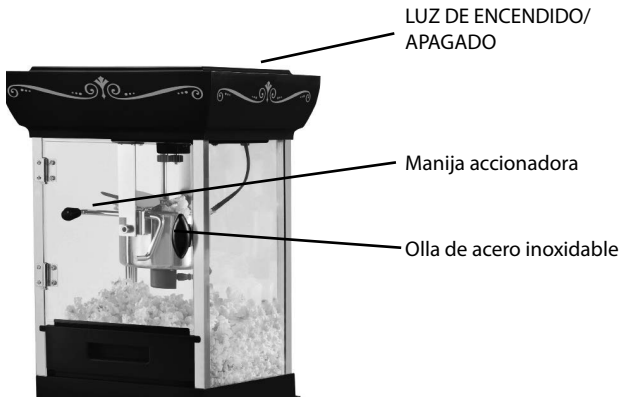


Montaje de las ruedas

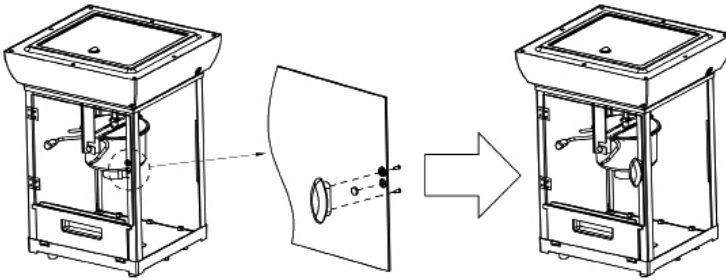
1. Coloque la arandela plana #7 en el perno #3 e insértelo dentro del orificio pre-perforado dentro del Soporte de la base (F).
2. Coloque una arandela plana #7 y un Cilindro #13 en el extremo del perno #3 colocado.
3. Coloque la Rueda (E) al Perno #3. Coloque la Arandela plana #7 y la Arandela de retención #8 en la Rueda (E). Use el extremo de la Llave (K2) con la muesca pequeña para sostener el Perno #3 en su lugar. Mientras sostiene el Perno #3 en su lugar, sujete el Tuerca ciego #10 con la Llave (K1).
4. Repita del otro lado, siguiendo las instrucciones arriba. **IMPORTANTE:** si las patas o el carrito se sienten tambaleantes o inestables, revise los pasos de ensamblaje y asegúrese de que se hayan seguido correctamente.



Montaje de la unidad principal



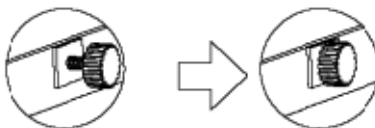
Manija de la puerta



1. Coloque el Imán #9 en la puerta transparente de la Unidad principal (A).
2. Coloque la Manija #12 usando dos tornillos #5.
3. Coloque la Unidad principal (A) sobre la parte superior del Compartimiento de almacenamiento (B).

Bloqueo de la unidad principal al compartimento de almacenamiento

Coloque la Unidad principal (A) en el Compartimiento de almacenamiento (B) de modo que los dos orificios laterales coincidan. Bloquee apretando los tornillos de bloqueo n.º 6 como se muestra a continuación:



CÓMO FUNCIONA

Antes del primer uso, limpie el interior de la unidad con una esponja, toalla o paño no abrasivos húmedos y entonces séquelo con una toalla seca no abrasiva. Limpie el interior del caldero y asegúrese de que esté correctamente colocado en los soportes antes de comenzar.

1. Primero, encuentre una superficie plana cerca de un tomacorriente eléctrico antes de comenzar. Asegúrese de que el cable esté lejos de una fuente de agua. Es aceptable usar un cable de extensión si es necesario.
2. Reúna sus suministros para palomitas de maíz: palomitas de maíz, condimentos, aceite de cocina, envase para servir, taza medidora de pepitas y cuchara medidora de aceite. (El envase de servir, la taza para medir los granos y el cucharón para medir el aceite se incluyen con la unidad).
3. Enchufe el aparato en el tomacorriente mientras el interruptor se gire a la posición OFF.
4. Asegúrese de que el caldero esté fijado apropiadamente en las abrazaderas de soporte y el motor del caldero esté totalmente conectado a la toma situada en la parte inferior del caldero. El cable del caldero está situado en el techo de la unidad.
NOTA: El caldero no calentará si no se ha insertado totalmente el enchufe.
5. Encienda el aparato al mover el interruptor en la parte superior de la máquina. Permita que el aparato funcione de 3 a 5 minutos para calentar el caldero.
6. Apague la unidad.
7. Utilice el cucharón para medir aceite provisto para añadir 3 cucharadas de su aceite favorito para cocinar palomitas de maíz en el caldero. Para obtener mejores resultados, se sugiere usar aceite de coco.
8. Añada ¼ tazas (2 onzas) de palomitas de maíz al caldero con la taza para medición de granos.
NOTA: NO sobrellene o empaque las pepitas en la taza medidora de pepitas ya que esto llenará el caldero. Hacerlo así podría producir más pepitas no explotadas, humo o que las pepitas se quemen.
9. Encienda la unidad y cierre la puerta. En breve escuchará las explosiones. ¡Las palomitas de maíz, frescas y calientes, comenzarán a brotar por las tapas abatibles del caldero!
NOTA: El vapor producido durante el proceso de explotación es normal.
10. Una vez que las pepitas hayan dejado de explotar, apague la unidad e incline el caldero con la perilla roja de la manivela para liberar las palomitas de maíz.
NOTA: No deje que el motor continúe funcionando después de haber explotado las palomitas de maíz.
⚠ IMPORTANTE: Tenga mucho cuidado cuando vacíe las palomitas de maíz. Siempre asegúrese de que la unidad esté en una encimera para que el aceite caliente residual que sale no cause quemaduras.
11. Después de cada lote de palomitas de maíz, verifique y vacíe cualquier pepita no explotada del captador de pepitas.

CONSEJOS ÚTILES

FUMAR

Si el CARRITO PARA PALOMITAS comienza a producir humo al cocinar, puede deberse a acumulación de grasa. Con el fin de reducir la producción de humo, asegúrese de limpiar el interior del caldero entre usos.

PALOMITA DE MAÍZ

El CARRITO PARA PALOMITAS está diseñado para todas las marcas premium y regulares de maíz para explotar. El maíz amarillo generalmente explota mejor que el maíz blanco, mientras que algunas marcas de pepitas tienen una cáscara dura y pueden resultar en menos granos explotados. Pruebe marcas diferentes para encontrar la que más le gusta.

Si nota que se están produciendo un montón de pepitas sin explotar, intente añadir más aceite al caldero. Más de aceite puede ayudar a explotar más pepitas.

Siempre utilice palomitas de maíz frescas. Palomitas de maíz secas, rancias o viejas no explotan bien ya que han perdido su contenido de humedad y se pueden quemar. Recomendamos guardar las palomitas de maíz en un recipiente hermético en un lugar fresco.

Ocasionalmente, las palomitas de maíz no explotan. Este suele ser el resultado de factores medioambientales tales como frescura y el contenido de humedad de las palomitas de maíz, o las variaciones del tipo de palomitas de maíz. Las pepitas no explotadas no necesariamente indican un defecto en el aparato.

Al llenar la taza medidora de pepitas, asegúrese de no sobrellenar sobre la línea marcada. El sobrellenado puede producir menos pepitas explotadas y más pepitas no explotadas que salen de la unidad. El sobrellenado puede producir humo y palomitas de maíz quemadas, ya que sobrellenará el caldero.

CONDIMENTOS

Para obtener más palomitas de maíz con mantequilla o al agregar condimentos, un poco de aceite de oliva, agua o mantequilla permitirá que los condimentos se adhieran mejor a las palomitas de maíz.

⚠ IMPORTANTE: NO coloque aceite, mantequilla, condimentos, o cualquier cosa aparte de pepitas de palomitas de maíz, en el caldero de palomitas de maíz. El uso de estas sustancias puede ser peligroso y dañar la unidad.

LIMPIEZA Y MANTENIMIENTO

1. Make sure appliance is unplugged and completely cooled before cleaning. Unplug the outer plug to the outlet as well as the Kettle motor plug inside the Main Unit.
2. Use slightly damp, non-abrasive sponge, towel or cloth to wipe down the inside and outside of Main Unit, then wipe with a non-abrasive towel to dry.
3. Remove the Pull Out Tray. Wash in warm soapy water with a non-abrasive sponge or cloth. Dry thoroughly. Replace in main unit.
4. After Kettle motor has been unplugged and Kettle has completely cooled, remove the Kettle from support brackets.
5. Take Kettle out of the Main Unit. After removing Kettle from Main Unit, fill $\frac{2}{3}$ of Kettle with hot, soapy water.
6. Let the Kettle sit for 15 – 20 minutes to cut the grease. (Time may vary – use your own judgment depending on the amount of cleaning necessary.)
7. Empty water. If necessary, use the scrubber side of a cleaning sponge to scrub inside of Kettle.
8. Rinse inside carefully and dry.
9. Wipe outside of Kettle with damp cloth and dry.
10. Reattach Kettle to Main Unit.

NOTE: To protect the motor plug from getting wet, **never immerse the Kettle in any liquid.** Never place any parts in the dishwasher. Always wash by hand. **Olla en líquido.** Jamás coloque las piezas en el lavaplatos. Siempre lávese a mano.

RECETAS

¡Este CARRITO PARA PALOMITAS prepara palomitas de maíz frescas y calientes: en cualquier momento!

Disfrute de palomitas de maíz frescas de muchas formas:

- Palomitas de maíz al estilo del cine: con manteca y sal.
- Agregue una pizca de azúcar y sal a las palomitas de maíz para un sabor dulce.
- Palomitas de maíz con sabores: Agregue condimentos para palomitas de maíz de cualquier marca.
- ¡Pruebe alguna de estas recetas divertidas!

NOTA: 1 galón = 16 tazas

PALOMITAS DE MAÍZ AL QUESO PARMESANO

- 1 galón de maíz
Procese las palomitas de maíz utilizando el CARRITO PARA PALOMITAS según se indica en la CÓMO FUNCIONA sección.
- 1 cucharada de Polvo de ajo
Combine polvo de ajo, cebollas verdes, pimienta molida, sal y queso parmesano. Reservar.
- 3 cebollas verdes, finamente picadas
En un recipiente grande, esparza aceite de oliva calentado sobre las palomitas de maíz.
- ½ cucharada de Pimienta quebrada
Revuelva hasta que quede cubierto de modo parejo.
- 1 cucharada de sal
Agregue lentamente los ingredientes secos mientras revuelve continuamente hasta que quede todo bien integrado.
- 1 taza de queso parmesano, rallado (de acuerdo a gusto)
Puede además agitar los ingredientes secos en una bolsa de malla o de papel grande.
- 3 cucharadas Aceite de oliva, calentado

BOLAS DE PALOMITAS DE MAÍZ TRADICIONALES

- ½ taza de granos de maíz
Procese las palomitas de maíz utilizando el CARRITO PARA PALOMITAS según se indica en la CÓMO FUNCIONA sección.
- ½ taza de jarabe de maíz
Mezcle el jarabe de maíz, azúcar y sal en una olla y disuelva al fuego durante 3 minutos.
- ½ taza de azúcar granulada
Agregue las palomitas de maíz, revuelva de modo consistente hasta que estén bien integradas y a fuego lento. Retire del fuego.
- ½ cucharada de sal
Utilice la manteca ablandada para formar bolas mientras agrega la mezcla de palomitas de maíz todavía caliente.
- 1 pan de manteca, ablandada
Envuelva las bolas por separado en plástico, ate y almacene a temperatura ambiente.

CHUNKY MONKEY

- 1 galón de maíz
 - 1 (12 oz) bolsa de chispas de chocolate semi amargo
 - 1 (12 oz) bolsa de golosinas de manteca de maní
 - 1 (4,2 oz) bolsa de chispas de banana, en pequeñas partes
 - 1 (11 oz) de bolsa de maní
- Procese las palomitas de maíz utilizando el CARRITO PARA PALOMITAS según se indica en la CÓMO FUNCIONA sección.
- Derrita las chispas de chocolate y las golosinas de manteca de maní, como indica el envase.
- Alinee la lámina de galletita con el papel de cera.
- Mezcle las palomitas y las chispas de banana.
- Coloque la mezcla de palomitas y las chispas de banana de forma pareja sobre la lámina de galletita.
- Esparza la mezcla de chocolate derretido y la manteca de maní durante la palomita de maní y las chispas de banana.
- Esparza los maníes sobre la mezcla de chocolate y manteca de maní.
- Permita enfriar.
- Cuando el chocolate y la manteca de maní se hayan endurecido, rompa el Chunky Monkey en partes.
- Puede almacenarse en bolsas para freezer de plástico.

CORTEZA DE MENTA DE PALOMITA DE MAÍZ

- 1 galón de maíz
 - 1 (12 oz) bolsa de chips de chocolate semi amargo o negro
 - 1 ¼ taza de dedos de menta, machacados
- Procese las palomitas de maíz utilizando el CARRITO PARA PALOMITAS según se indica en la CÓMO FUNCIONA sección.
- Derrita las chispas de chocolate, como indica el envase.
- Alinee la hoja de galletitas con el papel de cera.
- Esparza las palomitas de maíz sobre la lámina de galletita.
- Esparza el chocolate derretido sobre las palomitas.
- Esparza la menta aplastada sobre el chocolate.
- Permita enfriar.
- Cuando el chocolate se haya endurecido, rompa la corteza de menta de palomitas de maíz en partes.
- Puede almacenarse en bolsas para freezer de plástico.

DEVOLUCIONES Y GARANTÍA

SI LA UNIDAD NO FUNCIONA O ESTÁ DAÑADA AL SACARLA POR PRIMERA VEZ DE LA CAJA, DEVUÉLVALA AL LUGAR DE COMPRA INMEDIATAMENTE.

CARRITO PARA PALOMITAS AL ESTILO DEL CINE ANTIGUO / NKPRT2548SERIES

Si tiene preguntas, contacte con nosotros por correo electrónico o por el número telefónico de servicio al cliente que aparece a continuación en el horario de 9:00 AM a 4:00 PM, de lunes a viernes, Hora Estándar del Este.

Distribuida por:

Nostalgia Products LLC
1471 Partnership Dr.
Green Bay, WI 54304-5685
Servicio al cliente
Teléfono: (920) 347-9122
Web: www.nostalgiaproducts.com

Solicitud de servicio al cliente

Para enviar una solicitud al Servicio al Cliente, vaya a www.nostalgiaproducts.com, llene el formulario de Solicitud de Servicio al Cliente y haga clic en el botón Enviar.

Un representante le contactará tan pronto como sea posible.

Términos de garantía del producto

Po este medio, Nostalgia Products LLC (la "Compañía") garantiza que por un período de un (1) año a partir de la fecha de compra original, este producto estará sin defectos en cuanto a materiales y mano de obra en uso normal en casa, siempre que el producto se maneje y mantenga de acuerdo con las instrucciones de manejo. Como único y exclusivo remedio en virtud de esta garantía, la Compañía, a su discreción, podrá optar por reparar o sustituir el producto que se encuentre defectuoso, o emitir un reembolso por el producto durante el período de garantía. Esta garantía sólo está disponible para el comprador original minorista del producto a partir de la fecha inicial de compra al por menor, y sólo es válida con el recibo de compra original, y como prueba de la fecha de compra, es necesario obtener los beneficios de la garantía. Todos los reclamos de garantía deben hacerse a la atención de la Compañía dentro del período de garantía y no más tarde que 30 días desde la imposibilidad de realizarlo. Esta garantía no cubre el desgaste normal o daños ocasionados por el embarque, malos manejos, mal uso, accidentes, alteración, piezas de cambio incorrectas, o algo distinto al uso doméstico normal. Es posible que deba devolver el producto (con los gastos de envío pagados por usted) para inspección y evaluación. Los costos de envío no son reembolsables. La empresa no se hace responsable por devoluciones dañadas o perdidas en tránsito. A menos que se indique lo contrario específicamente permitido por las instrucciones de manejo, esta garantía sólo se aplica al uso en interiores de las viviendas. Para realizar una reparación bajo esta garantía, comuníquese con la Compañía mediante el número de teléfono indicado anteriormente o al llenar el formulario de consulta para el servicio de Atención al Cliente en www.nostalgiaproduct.com. El período de garantía sólo es válido en EE.UU. y Canadá.

Esta garantía está en lugar de cualquier otra garantía, expresa o implícita, incluso las garantías de comerciabilidad y conveniencia para un propósito en particular, que quedan excluidas en la medida permitida por la ley. En ningún caso la compañía será responsable de cualquier daño indirecto, incidental, consecuente, especial o daños que surjan o estén relacionados con este producto o la utilización del mismo. Algunos estados, provincias o corregimientos no permiten la exclusión o la limitación de daños incidentales o consecuentes, por lo que la exclusión o la limitación anterior quizás no se aplique a usted.

Esta garantía no se aplica a mercancía reelaborada.

Lea las instrucciones de manejo cuidadosamente. El incumplimiento de las instrucciones de manejo anulará esta garantía.

Para obtener más información, visítenos en línea en www.nostalgiaproducts.com.

Me Gusta en Facebook en [www.facebook.com / NostalgiaElectrics](https://www.facebook.com/NostalgiaElectrics).

Siga nuestros consejos sobre Pinterest en [www.pinterest.com / nostalgiaelctrx](https://www.pinterest.com/nostalgiaelctrx).

Tweet con nosotros en Twitter en [www.twitter.com / NostalgiaElctrx](https://www.twitter.com/NostalgiaElctrx).

Faire une fête tous les jours!
Visiter le site Web www.nostalgiaproducts.com pour d'autres produits agréables.

TABLE DES MATIÈRES

SÉCURITÉ	29
PRÉCAUTIONS IMPORTANTES	30
PRÉCAUTIONS IMPORTANTES ADDITIONNEL	30
INTRODUCTION	31
PIÈCES ET ASSEMBLAGE	32
COMMENT FAIRE FONCTIONNER	37
CONSEILS PRATIQUES	38
NETTOYAGE ET ENTRETIEN	39
RECETTES	40
RETOURS ET GARANTIE	42

SÉCURITÉ

Votre sécurité tout comme celle des autres est primordiale.

Ce manuel renferme plusieurs avis importants sur la sécurité lors de l'utilisation de votre appareil. Lire le manuel et conformez-vous aux avis contre-indiqués.



Ceci représente le symbole d'avertissement pour votre sécurité.

Ce symbole vous signale les dangers potentiels qui peuvent blessures graves à vous et à d'autres.

Ce symbole d'alerte à la sécurité suivra tous les avis relatifs à la sécurité.

Tous les avis sécuritaires indiqueront le danger potentiel exact, la façon dont vous pouvez réduire vos chances de blessure et vous indiquerons les conséquences potentielles si vous ne suivez pas ces instructions à la lettre.

Spécifications des Appareils:

120 Volts, 60 Hz
300 watts



CE PRODUIT EST UTILISÉ DANS SORTIE ÉLECTRIQUE DE 120V AC SEULEMENT.

Reportez-vous à www.nostalgiaproducts.com/user-manuals/ pour la version la plus récente.

PRÉCAUTIONS IMPORTANTES

Une personne n'ayant pas lu et compris toutes les instructions de fonctionnement et de sécurité n'est pas qualifiée pour faire fonctionner cet appareil. Tous les utilisateurs de cet appareil doivent lire et comprendre ce mode d'emploi avant d'utiliser ou de nettoyer cet appareil.

Lorsque l'on utilise un appareil électrique, il faut toujours respecter des précautions de base, y compris celles-ci :

1. **Lisez toutes les instructions avant d'utiliser cet appareil.**
2. NE PAS TOUCHER les surfaces chaudes. Utiliser les poignées ou les boutons.
3. Cet appareil n'est PAS UN JOUET.
4. Les jeunes enfants non supervisés et les individus ayant une déficience cognitive ne devraient jamais faire fonctionner cet appareil.
5. Une surveillance étroite est nécessaire lorsqu'un appareil est utilisé par ou à proximité d'enfants.
6. Pour protéger contre les chocs électriques ne pas submerger le cordon, la fiche ou aucune pièce de cet appareil dans l'eau ou d'autres liquides.
7. Débranchez l'appareil lorsqu'il ne sert pas, avant de retirer des pièces et avant le nettoyage. Laisser refroidir avant de mettre ou d'enlever des pièces et avant le nettoyage.
8. NE PAS utiliser un appareil avec un cordon ou une fiche électrique endommagés ou après un mauvais fonctionnement de l'appareil ou s'il a été endommagé d'une manière quelconque. Retournez l'appareil à l'atelier de réparation le plus proche pour un examen, réparation ou réglage.
9. Le fabricant ne recommande pas l'utilisation d'accessoires autres que ce qui est prévu par le fabricant. L'utilisation d'accessoires peut causer des blessures.
10. NE PAS utiliser cet appareil pour toute autre utilisation pour laquelle il n'a pas été conçu.
11. N'utilisez PAS l'appareil à l'extérieur. POUR UN USAGE DOMESTIQUE UNIQUEMENT.
12. NE PAS placer sur ou près d'un brûleur à gaz ou électrique ou dans un four chauffé. 1. NE PAS mettre en lave-vaisselle.
13. NE laissez PAS le cordon pendre sur le bord de la table ou du comptoir, ni toucher les surfaces chaudes.
14. NE laissez JAMAIS l'unité sans surveillance lorsqu'il est en service ou une fois branché à une prise électrique.
15. Une extrême prudence doit être utilisée pour déplacer un appareil contenant des liquides chauds.
16. Toujours brancher l'appareil en premier, puis brancher le cordon dans la prise murale. Pour débrancher l'appareil, mettre tous les boutons à la position « arrêt », puis débrancher la fiche de la prise murale.

PRÉCAUTIONS IMPORTANTES ADDITIONNEL

Mesures de sécurité pour le fonctionnement

1. NE PAS toucher à la marmite et gardez la porte de l'appareil fermée durant le fonctionnement. La marmite deviendra TRÈS CHAUDE durant le fonctionnement.
2. Assurez-vous que la marmite est bien attachée aux supports avant de la mettre en marche et que le moteur est branché à la marmite.

3. Vérifiez en cas d'objets étrangers dans la marmite avant de l'utiliser.
4. NE PAS mettre du beurre, des assaisonnements ou autres que des grains de maïs et de l'huile dans la marmite. L'utilisation de toutes autres substances peut causer des dangers et peut endommager l'appareil.
5. NE PAS faire fonctionner la machine sans l'huile car les grains de maïs pourraient brûler voire fumer.
6. NE PAS laisser le moteur de la marmite fonctionner une fois que le maïs a cessé d'éclater.
7. Soyez prudent lorsque vous videz le maïs éclaté. Toujours utiliser la manivelle pour vider le maïs éclaté et assurez-vous que l'appareil est au-dessus d'un comptoir afin que l'huile chaude résiduelle s'écoulant ne brûle rien.
8. N'employez PAS l'appareil pour une autre utilisation que celle pour laquelle elle a été conçue.
9. Assurez-vous que les pieds sont assemblés et fixés correctement
10. Voir les instructions concernant l'assemblage du pied aux pages 34 - 35.

Instructions pour le cordon électrique et la prise

1. **RISQUE DE DÉCHARGE ÉLECTRIQUE** : Ne pas suivre ces instructions peut entraîner la mort, un incendie ou une électrocution.
 - Branchez dans une prise à 3 fiches.
 - NE retirez PAS la fiche de la mise à la terre.
 - N'utilisez PAS d'adaptateur.
 - N'utilisez PAS une rallonge.
2. Cet appareil DOIT être mis à la terre. Dans le cas d'un court-circuit électrique, la mise à la terre réduit le risque de choc électrique en offrant un fil d'échappement pour le courant électrique. Cet appareil est équipé d'un cordon muni d'un fil de mise à la terre avec une fiche de mise à la terre. La fiche doit être branchée sur une prise correctement installée et mise à la terre.
3. **AVERTISSEMENT** : Une mauvaise utilisation de la prise de mise à la terre peut entraîner un risque d'électrocution. **Si la fiche n'entre pas complètement dans la prise, contactez un électricien qualifié. Ne pas tenter de modifier la fiche de quelque façon que ce soit.**
4. Un court cordon d'alimentation est fourni pour réduire les risques d'enchevêtrement ou risques de trébucher sur un cordon plus long.
5. Le fabricant ne recommande pas l'utilisation de cette machine dans les pays qui ne supportent pas les tensions de 120V AC, même si un adaptateur de tension, un transformateur ou un convertisseur est utilisé.

CONSERVEZ CES INSTRUCTIONS !

INTRODUCTION

Merci d'avoir acheté le CHARIOT À POPCORN DE CINÉMA D'ANTAN! Ce chariot de style vendeur de maïs soufflé de 122 cm (48 po) de hauteur sera le point de mire de toutes les fêtes. Il peut faire éclater dix tasses (1,9 L) de maïs chauds, frais par lot. Ayant une apparence des salles de cinéma d'antan et des carnivals du début du XIXe, il y a un compartiment à la base de l'appareil pour ranger les fournitures, ce qui permet de garder le chariot bien approvisionné et rangé. Maïs soufflé n'a jamais eu si bon goût chez vous!

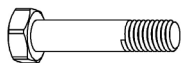
Reportez-vous à www.nostalgiaproducts.com pour savoir quels kits et accessoires sont disponibles pour ce produit!

PIÈCES ET ASSEMBLAGE

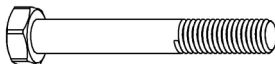
Quincaillerie



N° 1 Boulon (10mm)
Qté 10



N° 2 Boulon (38mm)
Qté 2



N° 3 Boulon (60mm)
Qté 2



N° 4 Vis (10mm)
Qté 4



N° 5 Vis (15mm)
Qté 2



N° 6 Vis de blocage
Qté 2



N° 7 Rondelle plate
(8mm) Qté 6



N° 8 Rondelle-frein
Qté 2



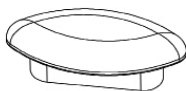
N° 9 Aimant
Qté 1



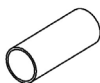
N° 10 Cache-écrou
Qté 2



N° 11 Écrou
Qté 2

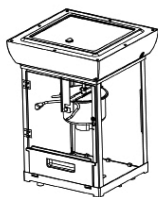


N° 12 Poignée de
la porte Qté 1

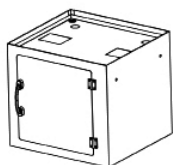


N° 13 Douille
Qté 2

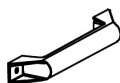
Pièces



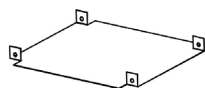
(A) Appareil principal



(B) Compartiment de rangement



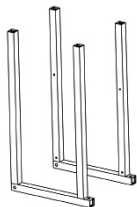
(C) Poignée-poussoir



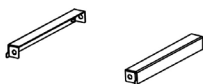
(D) Plaque de fond



(E) Roue (2)



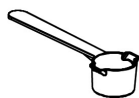
(F) Base
Qté 2



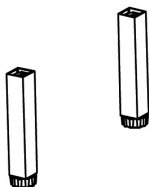
(G) Barre transversale
Qté 2



(H1) Godet à mesurer
le maïs (55 g)



(H2) Cuillère à mesurer
l'huile (1 c. à table)



(I) Montant
Qté 2



(J) Godet à maïs soufflé



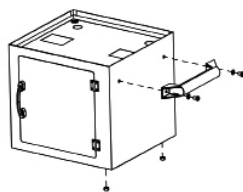
(K1) Clé



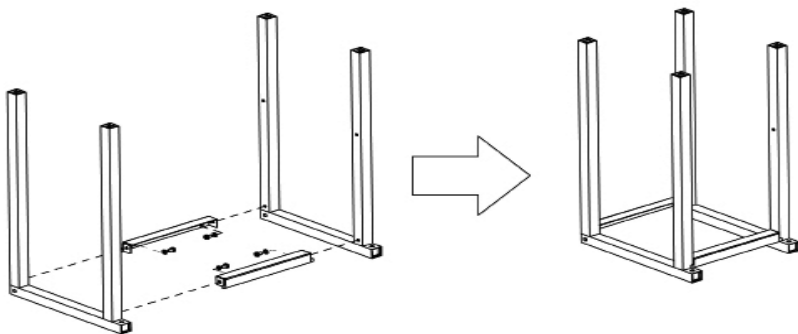
(K2) Clé

Assemblage de la base

1. Fixer la Poignée-poussoir (C) depuis l'intérieur du Compartiment de rangement (B) à l'aide de deux Boulons n° 1.
Fixer les deux Écrous n° 11 au fond.

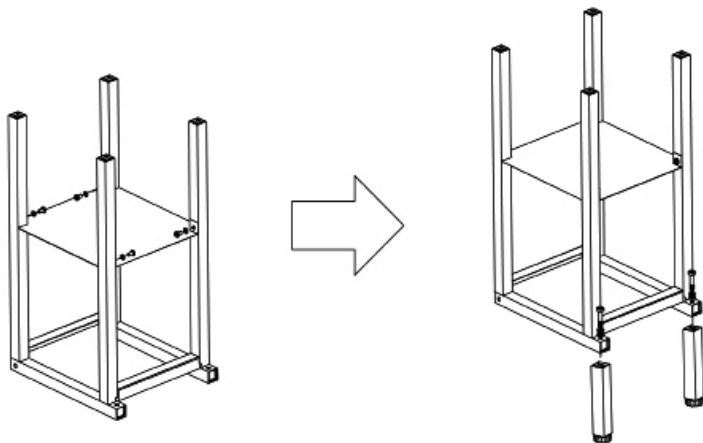


2. Fixer la Barre transversale (G) à la Base (F), puis la fixer à l'aide de quatre Boulons n° 1.

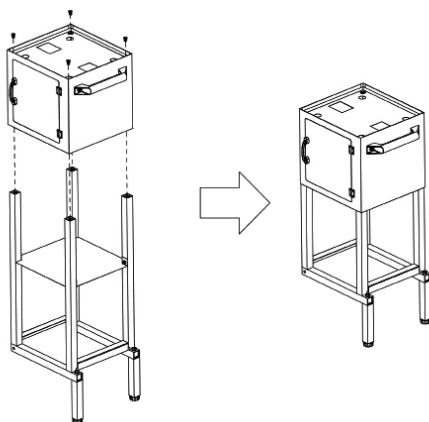


3. Fixer la Plaque de fond (D) à la Base (F) à l'aide de quatre Boulons n° 1.

4. Fixer les Montants (I) aux extrémités saillantes de la Base (F) à l'aide de deux Boulons n° 2.

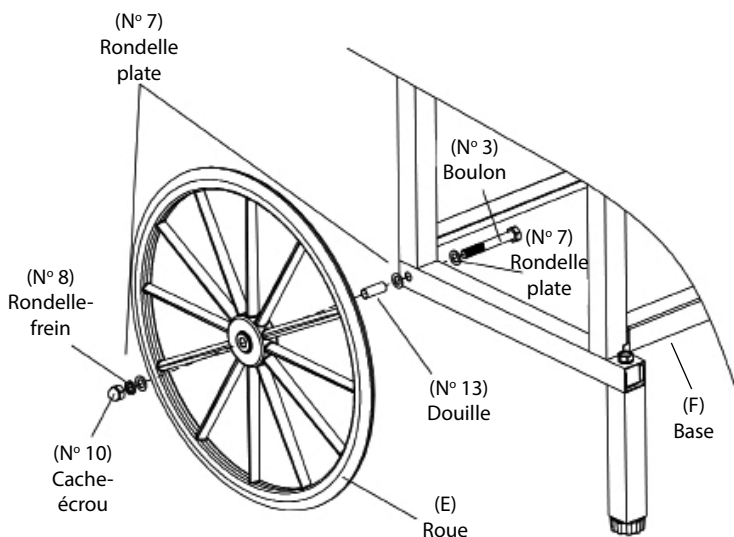


5. Assembler la Base (F) dans le fond du Compartiment de rangement (B), puis fixer solidement à l'aide de quatre Vis n° 4.

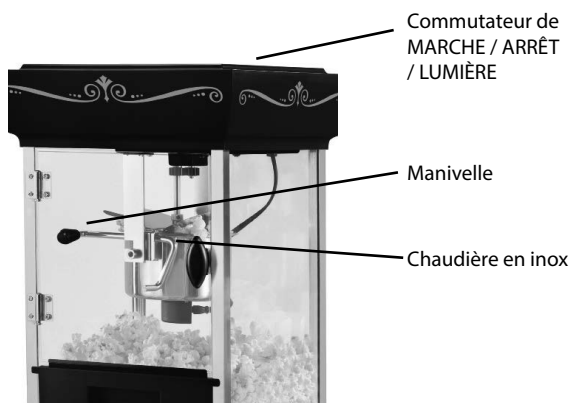


Assemblage des roues

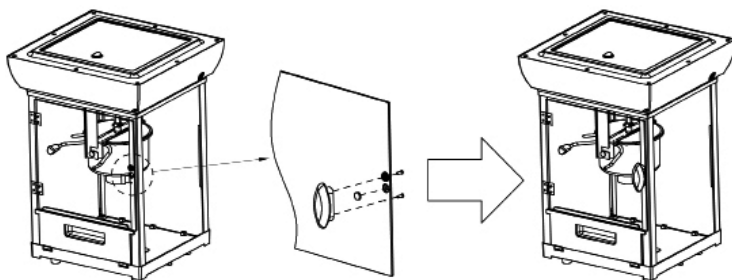
1. Mettre la Rondelle plate n° 7 sur le Boulon n° 3 Bolt, puis insérer dans le trou prépercé à l'intérieur de la Base (F).
2. Mettre la Rondelle plate no 7 et la Douille no 13 à l'une des extrémités du Boulon inséré no 3.
3. Fixer la Roue (E) au Boulon no 3. Mettre la Rondelle plate no 7 et la Rondelle-frein no 8 sur la Roue (E). Utiliser l'extrémité d'une Clé (K2) avec une petite encoche pour maintenir le Boulon no 3 en place. Tout en maintenant le Boulon no 3 en place, serrer le Cache-écrou no 10 à l'aide de la Clé (K1).
4. Refaire la même chose de l'autre côté, en suivant les consignes susmentionnées.
IMPORTANT: Si les pieds ou le chariot semblent vacillants ou instables, veuillez revoir les étapes d'assemblage et vous assurer que les étapes ont été correctement suivies.



Assemblage de l'appareil principal



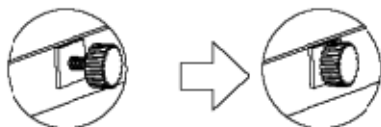
Fixation de la poignée de la porte



1. Fixer l'Aimant no 9 à la porte transparente de l'Appareil principal (A).
2. Mettre la Poignée de porte no 12 à l'aide de deux Vis n no 5.
3. Mettre l'Appareil principal (A) sur le dessus du Compartiment de rangement (B).

Verrouillage de l'unité principale au compartiment de rangement

Placez l'Appareil principale (A) sur le Compartiment de rangement (B) de sorte que les deux trous latéraux correspondent. Verrouillez en serrant les vis de verrouillage #6 comme indiqué ci-dessous :



COMMENT FAIRE FONCTIONNER

Avant la première utilisation, nettoyer l'intérieur de l'appareil en l'essuyant avec une éponge, serviette ou chiffon non abrasif puis essuyer avec une serviette sèche non-abrasive. Essuyer l'intérieur du chaudron et s'assurer qu'il est correctement placé dans les supports avant de commencer.

1. Tout d'abord, trouver une surface plane à proximité d'une prise électrique avant de commencer. S'assurer que le cordon est éloigné de toute source d'eau. Il est acceptable d'utiliser une rallonge si nécessaire.
2. Regrouper vos provisions pour obtenir le maïs éclaté: grains de maïs, assaisonnements, huile de cuisson, bol de service, tasse à mesurer les grains et cuillère pour mesurer l'huile. (Le bol de service, la tasse à mesurer les grains et la cuillère pour mesurer l'huile sont inclus avec votre appareil.)
3. Brancher l'appareil à la prise murale alors que le commutateur est en a position ÉTEINTE.
4. S'assurer que le chaudron est bien fixé dans les pattes des supports et que le cordon du moteur du chaudron est bien branché dans la prise située sur le bas inférieur du chaudron. Le cordon du moteur du chaudron est situé au plafond de l'appareil.
REMARQUE : Le chaudron ne chauffera pas si la prise n'est pas entièrement insérée.
5. Allumer l'appareil à la position ALLUMÉE en basculant l'interrupteur sur le dessus de la machine. Laisser l'appareil fonctionner 3 à 5 minutes pour faire chauffer le chaudron.
6. ÉTEINDRE l'appareil.
7. Utiliser la cuillère à mesurer l'huile fournie, pour ajouter 3 cuillères à soupe de votre huile à cuisson préférée au maïs du chaudron. Pour de meilleurs résultats il est suggéré d'employer l'huile de noix de coco.
8. Ajouter la tasse $\frac{1}{4}$ (2 onces.) de grains de maïs soufflé au chaudron utilisant la tasse à mesurer les grains fournie.
REMARQUE : NE PAS trop remplir ou entasser les grains dans la tasse à mesurer car cela produira un refoulement dans le chaudron. Ce faisant cela peut donner lieu à plus de grains non éclatés et donner des grains fumés ou brûlés.
9. Allumer l'unité et fermer la porte. En un rien de temps vous entendrez l'éclatement des grains commencer. Du maïs soufflé frais, chaud, va commencer à jaillir des rabats sur le chaudron !
REMARQUE : La vapeur produite pendant le processus d'éclatement est normale.
10. Une fois que les grains ont cessé d'éclater, éteindre l'appareil et faire pencher le chaudron en utilisant le bouton rouge de la manivelle pour libérer le maïs soufflé.
REMARQUE : Ne pas laisser le moteur fonctionner après que le maïs soufflé soit éclaté.
⚠ IMPORTANT : Utiliser la plus grande prudence lors de la vidange du maïs soufflé. Toujours s'assurer que l'appareil est placé sur un comptoir de sorte que l'huile chaude résiduelle qui s'écoule ne cause pas de brûlures.
11. Après chaque lot de maïs soufflé, vérifier et vider tous les grains non éclatés du capteur à grains.

CONSEILS PRATIQUES

CHAUFFAGE

Si votre CHARIOT À POPCORN commence à fumer pendant la cuisson cela peut être dû à la graisse accumulée. Afin de réduire la fumée s'assurer de nettoyer l'intérieur du chaudron entre les utilisations.

MAÏS ÉCLATÉ

Le CHARIOT À POPCORN est conçu pour toutes les marques d'appareil à faire éclater le maïs régulières et de meilleure qualité. Le maïs jaune éclate généralement mieux que le maïs blanc tandis que certaines marques de grains ont une coquille extérieure plus dure et cela peut résulter en moins de grains éclatés. Essayer différentes marques pour trouver ce qui vous convient le mieux.

Si vous remarquez que vous obtenez beaucoup de grains non éclatés, essayer d'ajouter plus d'huile à cuisson au chaudron. Plus d'huile peut aider à faire éclater plus de grains.


Toujours utiliser du maïs à éclater frais. Séché, rassis ou vieux le maïs soufflé éclate mal car il a perdu sa teneur en humidité et peut brûler. Nous recommandons d'entreposer le maïs soufflé dans un récipient hermétique dans un endroit frais.

De temps en temps le maïs éclaté n'éclate pas. Cela est généralement le résultat de facteurs environnementaux tels que la fraîcheur et la teneur en humidité du maïs soufflé ou les différences dans les types de maïs soufflé. Des grains non éclatés ne signifient pas nécessairement un défaut de l'appareil.

Lors du remplissage de la tasse à mesurer les grains, s'assurer de ne pas remplir au-dessus de la ligne marquée. Un remplissage insuffisant peut faire qu'il y a moins de grains à éclater et plus de grains non éclatés qui sortiront de l'appareil. Le sur-remplissage peut faire que le maïs soufflé brûle et fume puisqu' il surcharge le chaudron.

ASSAISONNEMENTS

Pour un maïs soufflé à plus de saveur de beurre ou quand on ajoute les assaisonnements, une giclée d'huile d'olive, eau ou beurre permettront aux assaisonnements de mieux coller au maïs éclaté.

 **IMPORTANT:** NE PAS placer le beurre, les assaisonnements ou autre chose que les grains de maïs soufflé dans le chaudron à maïs soufflé. L'utilisation de ces matières peut provoquer des dangers et peut endommager l'appareil.

NETTOYAGE ET ENTRETIEN

1. S'assurer que l'appareil est débranché et COMPLÈTEMENT REFROIDI avant de le nettoyer. Débrancher la prise extérieure de la prise murale ainsi que le moteur de la Chaudière à l'intérieur de l'Appareil principal (A).
2. Utiliser une éponge, une serviette ou un chiffon légèrement humide, non abrasif(ive) pour essuyer l'intérieur et l'extérieur de l'Appareil principal (A), puis l'assécher avec une serviette sèche, non abrasive.
3. Débrancher le moteur de la Chaudière, puis retirer la Chaudière des supports.
4. Retirer la Chaudière de l'Appareil principal (A). Après le retrait de l'Appareil principal (A), remplir au $\frac{2}{3}$ la Chaudière avec de l'eau chaude savonneuse.
5. Laisser reposer la Chaudière de 15 à 20 minutes pour retirer la graisse. (Le temps peut varier - faire preuve de bon sens quant au nettoyage qui sera nécessaire.)
6. Vider l'eau. S'il y a lieu, utiliser le côté rugueux d'une éponge pour récurer l'intérieur de la Chaudière.
7. Rincer l'intérieur soigneusement, puis l'assécher.
8. Essuyer l'extérieur de la Chaudière à l'aide d'un chiffon humide, puis l'assécher.

REMARQUE : Pour protéger la prise moteur de l'humidité, **ne jamais immerger la Chaudière dans quelque liquide.** Ne jamais mettre quelque pièce au lave-vaisselle. Toujours laver à la main.

RECETTES

Le CHARIOT À POPCORN fait du maïs chaud, frais, de style salle de cinéma chaque fois - en tout temps !

Dégusté un maïs fraîchement soufflé de plusieurs façons :

- Maïs régulier de style salle de cinéma - ajouter du beurre et du sel.
- Ajouter une pincée de sucre et de sel au maïs pour un goût sucré de style chaudière.
- Maïs parfumé - ajouter les assaisonnements de l'ensemble d'assaisonnement pour un maïs soufflé au goût fin.
- Essayer certaines de ces recettes amusantes !

REMARQUE : 4 litres (1 gallon = 16 tasses)

MAÏS SOUFFLÉ AU PARMESAN

- 4 litres (1 gallon) de maïs soufflé
Maïs soufflé avec le CHARIOT À POPCORN, tel qu'il est indiqué à la COMMENT FAIRE FONCTIONNER section.
- 1 c. à café de poudre d'ail
Mélanger la poudre d'ail, les petits oignons vers, le poivre concassé, le sel de mer et le fromage parmesan. Réserver.
- 3 petits oignons verts, finement hachés
Dans un grand bol à mélanger, verser un filet d'huile d'olive préchauffée sur le maïs soufflé.
- ½ c. à café de poivre concassé
Mélanger jusqu'à ce que le maïs soit bien recouvert.
- 1 c. à café de sel de mer
Ajouter graduellement les ingrédients secs en remuant continuellement jusqu'à ce que le maïs soufflé soit bien recouvert.
- 240 g (1 tasse) de parmesan, râpé (au goût)
Saupoudrer également le maïs soufflé avec les ingrédients déposés dans un sac en papier ou en toile.
- 3 c. à table d'huile d'olive, chauffée

BOULES DE MAÏS SOUFFLÉ TRADITIONNEL

- 120 g (½ tasse) de grains de maïs non soufflé
Maïs soufflé avec le CHARIOT À POPCORN, tel qu'il est indiqué à la COMMENT FAIRE FONCTIONNER section.
- 120 mL (½ tasse) de sirop de maïs
Mélanger le sirop de maïs, le sucre et le sel dans une casserole et faire fondre à feu moyen pendant 3 minutes.
- 120 g (½ tasse) de sucre cristallisé
Ajouter le maïs soufflé, remuer à feu doux jusqu'à ce que le maïs soit recouvert de façon uniforme.
- ½ c. à café de sel
Retirer du feu.
- 1 bâtonnet de beurre, ramolli
Utiliser le beurre ramolli pour former des boules pendant que le mélange de maïs soufflé est encore chaud.
Envelopper les boules dans un plastique, attacher, puis conserver à la température ambiante.

DÉLICES CHUNKY MONKEY

- 4 litres (1 gallon) de maïs soufflé
Maïs soufflé avec le CHARIOT À POPCORN, tel qu'il est indiqué à la COMMENT FAIRE FONCTIONNER section.
- 1 emballage (340 g/12 oz) de grains de chocolat semi-sucré
Faire fondre les grains de chocolat avec les morceaux de beurre d'arachide sur le feu, tel qu'il est recommandé sur l'emballage.
- 1 emballage (340 g/12 oz) de beurre d'arachide en morceaux
Recouvrir une tôle à biscuits avec un papier ciré.
Mélanger le maïs soufflé et les croustilles de bananes.
- 1 emballage (119 g/4,2 oz) de croustilles de bananes, en petits morceaux
Déposer le mélange de maïs éclaté et de croustilles de bananes sur une tôle à biscuits.
Arroser le maïs soufflé et les croustilles de banane avec le mélange de chocolat et de morceaux de beurre d'arachide fondu.
- 1 emballage (311 g/11 oz) d'arachides
Saupoudrer le mélange de chocolat et de beurre d'arachide avec les arachides.
Laisser refroidir.
Lorsque le chocolat et le beurre d'arachide auront durci, casser les délices Chunky Monkey en morceaux.
Ils peuvent être conservés dans des sacs au congélateur.

CROQUANT DE MAÏS SOUFFLÉ À LA MENTHE

- 4 litres (1 gallon) de maïs soufflé
Maïs soufflé avec le CHARIOT À POPCORN, tel qu'il est indiqué à la COMMENT FAIRE FONCTIONNER section.
- 1 emballage (340 g/12 oz) de grains de chocolat noir ou semi-sucré
Faire fondre les grains de chocolat sur le feu, tel qu'il est recommandé sur l'emballage.
Recouvrir une tôle à biscuits avec un papier ciré.
- 360 g (1 ¼ tasse) de bâtonnets de menthe, concassés
Répartir le maïs soufflé sur une tôle à biscuits.
Verser un filet de chocolat fondu sur le maïs soufflé.
Saupoudrer avec le chocolat des bâtonnets de menthe écrasés.
Laisser refroidir.
Lorsque le chocolat aura durci, casser le croquant de maïs soufflé à la menthe en morceaux.
Ils peuvent être conservés dans des sacs au congélateur.

RETOURS ET GARANTIE

SI VOTRE APPAREIL NE FONCTIONNE PAS OU S'IL EST ENDOMMAGÉ QUAND VOUS LE RETIREZ DE LA BOÎTE, VEUILLEZ LE RETOURNER IMMÉDIATEMENT À L'ENDROIT OÙ IL A ÉTÉ ACHETÉ.

CHARIOT À POPCORN / NKPCRT2548SERIES

Pour toute question, communiquer par courriel ou au numéro de téléphone du service à la clientèle, entre 09 h 00 et 16 h 00, du lundi au vendredi, heure normale du Centre.

Distribué par :

Nostalgia Products LLC
1471 Partnership Dr.
Green Bay, WI 54304-5685
Service à la clientèle
Téléphone : (920) 347-9122
Site Web : www.nostalgiaproducts.com

Demande pour le service à la clientèle

Pour soumettre une demande au service à la clientèle, rendez vous au www.nostalgiaproducts.com puis remplissez le formulaire de demande au service à la clientèle puis cliquez sur le bouton Soumettre.

Un représentant vous contactera dès que possible.

Conditions de garantie du produit

Le groupe Nostalgia Products LLC (référé tel « l'Entreprise ») garantit que pour une période d'un (1) an en date d'achat, ce produit est sans défaut de matériel et de fabrication selon une utilisation normale à domicile, seulement si le fonctionnement et l'entretien du produit sont conformes aux directives fournies. À titre de réparation exclusive et entière sous cette garantie, l'Entreprise pourra à sa discrétion, réparer ou remplacer le produit défectueux, voire émettre un remboursement du produit durant la période couverte sous garantie. Cette garantie n'est disponible seulement qu'à l'acheteur d'origine du produit, en date d'achat au détail dudit produit et sera valide uniquement avec le reçu de caisse d'origine, à titre de preuve d'achat, lequel est requis pour obtenir les bienfaits reliés à cette garantie. Toute réclamation doit être rapportée à l'attention de l'Entreprise dans la fenêtre de la période de la garantie, sans dépasser 30 jours à défaut de performance. Cette garantie ne couvre pas l'usure normale ou dommage cause par l'expédition, la mauvaise manipulation, la mauvaise utilisation, les accidents, les modifications, les mauvaises pièces de remplacement, voire toute autre utilisation anormale du produit à domicile. Il est possible que vous ayez à retourner le produit (avec les frais de retour prépayés par vous) pour une inspection et une évaluation. Les frais des coûts de retour ne sont pas remboursables. L'Entreprise n'est aucunement responsable pour les retours endommagés ou perdus en transit. Autrement que spécifiquement permis selon les directives de fonctionnement, cette garantie s'applique à une utilisation à domicile à d'intérieur seulement. Afin d'obtenir un service couvert sous cette garantie, veuillez contacter l'Entreprise au numéro de téléphone inclut ci-haut ou en remplissant le formulaire de demande au service à la clientèle, sur le site www.nostalgiaproducts.com. La garantie est valide seulement aux États-Unis et au Canada.

Cette garantie prévaut toute autre garantie, expresse ou implicite incluant les garanties de qualité marchande ou ayant une aptitude pour une intention en particulier, lesquelles sont exclues selon la loi. Sous aucun prétexte l'Entreprise ne pourra être tenue responsable pour tout dommage indirect, accidentel, conséquentiel ou spécial provenant de ou en relativité avec ce produit ou son utilisation. Certains états, provinces ou juridictions n'allouent pas l'exclusion ou la limitation de tels dommages accidentels ou conséquentiels, donc l'exclusion ou limitation suscitée peut ne pas s'appliquer à vous.

Cette garantie ne s'applique pas à la marchandise de renaissance.

Veillez lire les directives de fonctionnement attentivement. Ne pas se conformer aux directives de fonctionnement annulera cette garantie.

Pour plus d'informations, visitez notre site Web à www.nostalgiaproducts.com.

Aimez-nous sur Facebook à l'adresse www.facebook.com/NostalgiaElectrics.

Suivez nos conseils sur Pinterest à www.pinterest.com/nostalgiaelctrx.

Tweet avec nous sur Twitter à l'adresse www.twitter.com/NostalgiaElctrx.