

# NOSTALGIA™

---

P R O D U C T S

All products are trademarks of Nostalgia Products LLC.  
Worldwide design & utility patented or patents pending.  
© 2021 Nostalgia Products LLC.

[www.nostalgiaproducts.com](http://www.nostalgiaproducts.com)

(rev. 04/09/21 DJ)

# NOSTALGIA™



NKPCRT1ORD

## Vintage 10 Oz. Popcorn Cart Chariot à Maïs Éclaté d'Antan Carrito para palomitas de maíz

Instructions and Recipes  
Instructions et Recettes  
Instrucciones y Recetas



Make every day a party!  
Visit [www.nostalgiaproducts.com](http://www.nostalgiaproducts.com) for more fun products.

## CONTENTS

SAFETY . . . . .	2
IMPORTANT SAFEGUARDS . . . . .	3
ADDITIONAL IMPORTANT SAFEGUARDS . . . . .	3
INTRODUCTION . . . . .	4
PARTS & ASSEMBLY . . . . .	5
HOW TO OPERATE . . . . .	10
HELPFUL TIPS . . . . .	11
CLEANING & MAINTENANCE . . . . .	12
RECIPES . . . . .	13
RETURNS & WARRANTY . . . . .	15

## SAFETY

Your safety and the safety of others are very important.

We have provided many important safety messages in this manual and on your appliance. Always read and obey all safety messages.



This is the safety alert symbol.

This symbol alerts you to potential hazards that can cause serious injury to you and others.

All safety messages will follow the safety alert symbol.

All safety messages will tell you what the potential hazard is, tell you how to reduce the chance of injury, and tell you what can happen if the instructions are not followed.

### Appliance Specifications:

120 Volts, 60 Hz  
750 Watts



THIS PRODUCT IS FOR USE IN 120V AC OUTLET ONLY.

Refer to [www.nostalgiaproducts.com/user-manuals/](http://www.nostalgiaproducts.com/user-manuals/) for the most updated manual.

## IMPORTANT SAFEGUARDS

**A person who has not read and understood all operating and safety instructions is not qualified to operate this appliance. All users of this appliance must read and understand this Instruction Manual before operating or cleaning this appliance.**

**When using electrical appliances, basic safety precautions should always be followed, including:**

1. **Read all instructions before operating this appliance.**
2. DO NOT TOUCH the hot surfaces. Use handles or knobs.
3. This appliance is NOT A TOY.
4. Unsupervised young children and cognitively challenged individuals should never operate this appliance.
5. Close supervision is necessary when any appliance is used by or near children.
6. To protect against electrical shock do not immerse cord, plug or any part of this unit in water or other liquids.
7. Unplug from outlet when not in use, before removing parts and before cleaning. Allow to cool before putting on or taking off any parts, and before cleaning.
8. DO NOT operate any appliance with a damaged cord or plug, or after the appliance malfunctions, or if the appliance has been damaged in any manner. Return the appliance to the nearest repair shop for examination, repair or adjustment.
9. The manufacturer does not recommend the use of accessory attachments other than what is provided by the manufacturer. Use of attachments may cause injuries.
10. DO NOT use the appliance for other than its intended use.
11. DO NOT use outdoors. FOR HOUSEHOLD USE ONLY.
12. DO NOT place on or near a hot gas or electric burner, or in a heated oven.
13. DO NOT let cord hang over edge of table or counter, or touch hot surfaces.
14. NEVER leave unit unattended while in use or when plugged into an outlet.
15. Extreme caution must be used when moving an appliance containing hot food.
16. Always attach plug to appliance first, then plug cord in the wall outlet. To disconnect, turn any control to "off," then remove plug from wall outlet.

## ADDITIONAL IMPORTANT SAFEGUARDS

### **Operating Safety Precautions**

1. DO NOT touch kettle and keep door of main unit closed while operating. Kettle gets VERY HOT during operation.
2. Ensure the Kettle is properly attached to brackets before operating and that the motor plug is plugged into the Kettle.
3. Check Kettle for presence of foreign objects prior to use.
4. DO NOT place butter, seasonings, or anything other than popcorn kernels and oil into the Kettle. Use of these substances may cause hazards and may damage the unit.
5. DO NOT operate unit without oil as the popcorn kernels may burn or smoke.
6. DO NOT leave Kettle motor running once popping has ceased.

7. Exercise caution when emptying popcorn. Always use Crank Handle to empty popcorn, and make sure the unit is over a countertop so that residual hot oil running out will not cause burns.
8. DO NOT use the appliance for other than its intended use.

### Instructions for the Electrical Cord and Plug

1. ELECTRICAL SHOCK HAZARD: Failure to follow these instructions can result in death, fire, or electrical shock.
  - Plug into a grounded 3 prong outlet.
  - DO NOT remove ground prong.
  - DO NOT use an adapter.
  - DO NOT use an extension cord.
2. This unit **MUST** be grounded. In the event of an electrical short circuit, grounding reduces the risk of electric shock by providing an escape wire for the electric current. This unit is equipped with a cord having a grounding wire with a grounding plug. The plug must be plugged into an outlet that is properly installed and grounded.
3. **WARNING:** Improper use of the grounding plug can result in a risk of electric shock. **If the plug does not fit fully into the outlet, contact a qualified electrician. Do not attempt to modify the plug in any way.**
4. A short power supply cord is provided to reduce the risk resulting from becoming entangled or tripping over a long cord.
5. The manufacturer does not recommend using this machine in countries that do not support 120V AC even if a voltage adapter, transformer, or converter is in use.

## SAVE THESE INSTRUCTIONS!

## INTRODUCTION

Thank you for purchasing the VINTAGE 10 OZ. POPCORN CART! This vendor-style popcorn cart pops up to 40 cups of hot, fresh, kettle cooked popcorn per batch. It features a large, 10 ounce stainless steel kettle with a built-in stirring system and kernel catcher to keep unpopped kernels out of each perfect batch. There is a compartment in the base of the unit to store supplies, making it easy to keep the cart well stocked and organized, so there's no reason to not keep the party popping!

Visit [www.nostalgiaproducts.com](http://www.nostalgiaproducts.com) to find out which kits and accessories are available for this product!

# PARTS & ASSEMBLY

Please ensure that you have removed all of the hardware and parts listed before discarding packaging. In our efforts to reduce packaging, we maximize the packing material to protect your new purchase. As a result, small parts may not be readily visible.

## Hardware



#1 Screw (8mm)  
Qty. 4



#2 Screw (8mm)  
Qty. 6



#3 Bolt (25mm)  
Qty. 4



#4 Bolt (60mm)  
Qty. 4



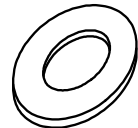
#5 Locking Washer  
Qty. 4



#6 Flat Washer  
Qty. 4

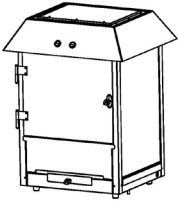


#7 Nut Cap  
Qty. 6



#8 Flat Washer  
Qty. 2

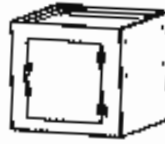
Parts



(A) Main Unit



(B) Kernel Measuring Cup (1/2 cup)



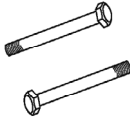
(C) Storage Compartment



(D) Oil Measuring Spoon (1 tbsp.)



(E) Push Handle



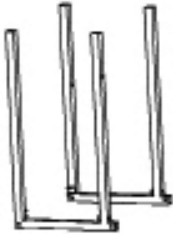
(F) Axle Bolts



(G) Wheel



(H) Wrenches



(I) Base Support



(J) Bottom Plate



(K) Cross Bar



(L) Leg Assembly



(M) Popcorn scoop

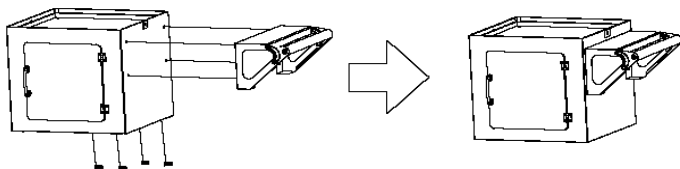


(N) Screwdriver

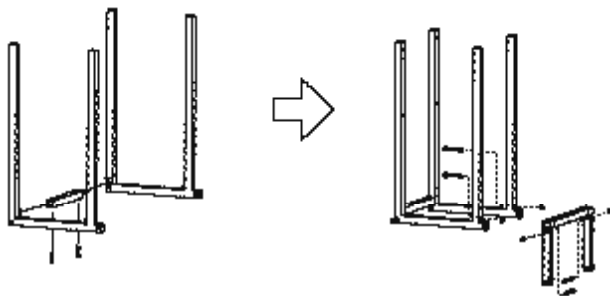


**Assembly of Base Support**

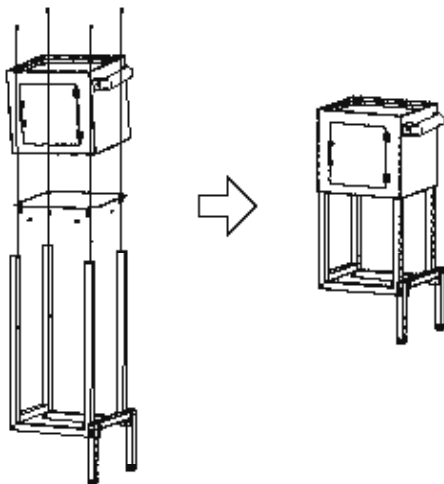
1. Attach Push Handle (E) from inside Storage Compartment (C) using supplied #1 Screws.



2. Insert Cross Bar (K) into the square inserts on the inside of Base Support (I) and secure from below with two #2 Screws. Insert the Leg Assembly (L) over the protruding ends of the Base Support (I) and fasten from the inside of Base Support (I) using four #4 Bolts, four #5 Locking Washers, and four #7 Nut Caps.

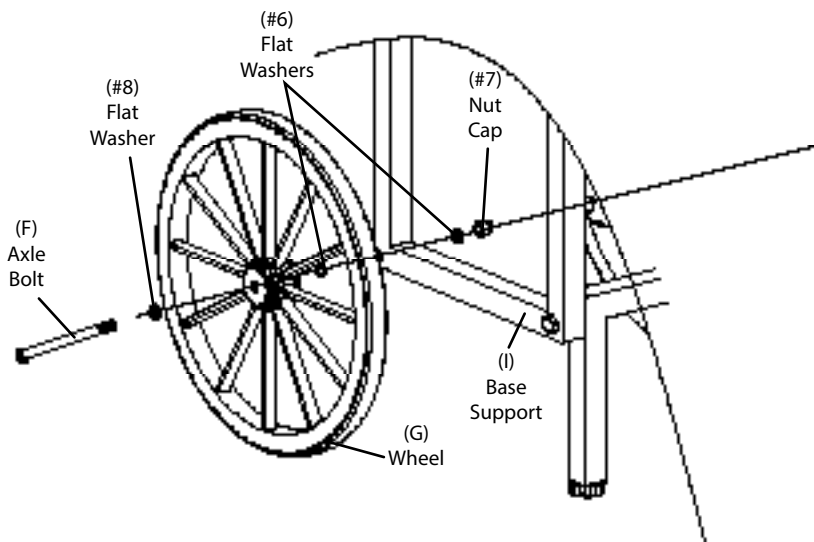


3. Secure Bottom Plate (J) to Base Support (I) using four #2 Screws.
4. Assemble Base Support (I) into the bottom of the Storage Compartment (C) and secure with four #3 Bolts.

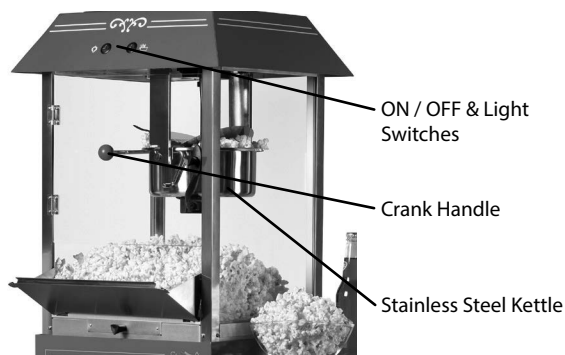


### Assembly of Wheels

1. Slide one #8 Flat Washer onto Axle Bolt (F) and insert Axle Bolt (F) into Wheel (G).
2. Put on one #6 Flat Washer. Insert Axle Bolt (F) with Wheel (G) into Base Support (I).
3. Add a second #6 Flat Washer and #7 Nut Cap. Use Wrench (H) to tighten the #7 Nut Cap.
4. Repeat steps to attach second Wheel (G) onto the other side of the Base Support (I).

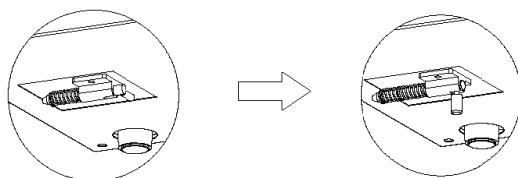


## Assembly of Main Unit



### Locking Main Unit to Storage Compartment

Place Main Unit (A) onto the top of the Storage Compartment (C). Ensure that the two inserting pins at the bottom of the Main Unit (A) line up correctly so that Main Unit (A) can be locked under the beam of the Storage Compartment (C).



# HOW TO OPERATE

Before first use, clean the inside of the unit by wiping with a moist, non-abrasive sponge, towel or cloth and then wipe with a non-abrasive dry towel. Wipe down the inside of the Kettle and be sure it is properly placed in the brackets before starting.

1. First, find a flat surface near an electrical outlet before starting. Make sure your cord is away from any water source. It is acceptable to use an extension cord if needed.
2. Gather your popcorn making supplies: popcorn, seasonings, cooking oil, Serving Bowl, Kernel Measuring Cup and Oil Measuring Spoon. (Serving Bowl, Kernel Measuring Cup and Oil Measuring Spoon are included with your unit.)
3. Plug the appliance into the wall outlet while switch is flipped to OFF position.
4. Make sure Kettle is properly secured in the support brackets, and kettle motor cord is fully plugged into the outlet located on the bottom side of the kettle. The kettle cord is located on the ceiling of the unit.  
**NOTE:** Kettle will not heat if plug is not fully inserted.
5. Turn appliance ON by flipping the switch on the top of the machine. Allow the appliance to run 3-5 minutes to heat up the Kettle.
6. Turn unit OFF.
7. Use the supplied Oil Measuring Spoon to add 5 scoops (5 tablespoons) of your favorite popcorn cooking oil to the Kettle. For best results, it is suggested to use coconut oil.
8. Add 1 ½ cups (10 oz.) popcorn kernels to the Kettle using the supplied Kernel Measuring Cup.  
**NOTE:** DO NOT overfill or pack kernels into Kernel Measuring Cup as this will crowd the Kettle. Doing so may result in more unpopped kernels and cause kernels to smoke or burn.
9. Turn the unit ON and close the door. In no time at all, you will hear the popping begin. Fresh, hot popcorn will begin to burst out of the flip lids on the Kettle!  
**NOTE:** Steam produced during the popping process is normal.
10. Once the kernels have stopped popping, turn the unit OFF and tip the Kettle using the red knob on the Crank Handle to release the popcorn.  
**NOTE:** Do not allow motor to continue to run after popcorn is done popping.  
**⚠ IMPORTANT:** Extreme caution must be used when emptying popcorn. Always make sure the unit is over a countertop so that residual hot oil running out will not cause burns.
11. After each batch of popcorn, check for and empty any unpopped kernels from the Kernel Catcher.

# HELPFUL TIPS



**NEVER** leave the unit unattended while operating.

## SMOKING

If your POPCORN CART begins to smoke during cooking, it may be due to grease build up. In order to reduce smoking, make sure that you clean the inside of the Kettle between uses.

## POPCORN

The POPCORN CART is designed for all regular and premium brands of popping corn. Yellow corn generally pops better than white corn, while some brands of kernels have a harder outer shell and may result in fewer popped kernels. Try different brands to find which you like best.

If you notice you are experiencing a lot of unpopped kernels, try adding more oil to the Kettle. More oil may help pop more kernels.

Always use fresh popcorn. Dried out, stale, or old popcorn pops poorly as it has lost its moisture content and may scorch. We recommend storing popcorn in an airtight container in a cool place.

Occasionally popcorn does not pop. This is usually the result of environmental factors such as freshness and moisture content of the popcorn, or variances of popcorn type. Unpopped kernels do not necessarily indicate a defect in the appliance.

When filling the Kernel Measuring Cup, make sure to not fill above the marked line. Underfilling can cause less kernels to pop and more unpopped kernels to come out of the unit. Overfilling can cause popped corn to burn and smoke, as it will overflow the Kettle.

## SEASONING

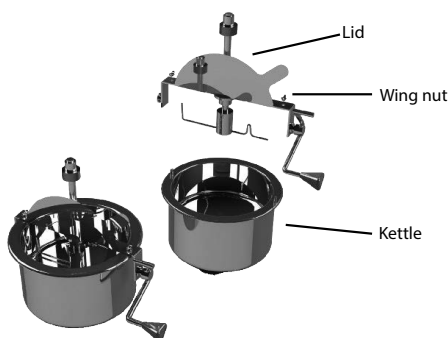
For more buttery popcorn or when adding seasonings, a spritz of olive oil, water or butter will allow the seasonings to better stick to the popcorn.



**IMPORTANT:** DO NOT place butter, seasonings, or anything other than popcorn kernels into the popcorn Kettle. Use of these substances may cause hazards and may damage the unit.

# CLEANING & MAINTENANCE

## EASY CLEAN KETTLE



Before cleaning, make sure appliance is unplugged from wall outlet, and the kettle cord is unplugged from the kettle. Allow the unit to cool completely before cleaning.

1. After kettle cord has been unplugged and Kettle has completely cooled, remove Kettle from support brackets, and take the Kettle out of the main unit.
2. Remove both Wing Nuts by twisting counter-clockwise, then lift the dual-hinged lid from the Kettle.
3. Fill the Kettle with a small amount of hot, soapy water.  
**NOTE:** To protect the kettle cord receptacle from getting wet, **never allow water or liquid of any kind near or in the kettle cord receptacle.** Never place any parts in the dishwasher. Always wash by hand.
4. Allow the Kettle to sit for 15 to 20 minutes to cut the grease. (Time required to cut grease may vary – use your own judgment depending on the amount of cleaning necessary.)
5. Carefully empty water from the Kettle, taking care to not get water into the kettle cord receptacle. If necessary, use the scrubber side of a cleaning sponge to scrub the inside of the Kettle.
6. Rinse inside of the Kettle carefully and dry with a non-abrasive towel. Wipe the outside of the Kettle with a damp cloth and then dry.
7. Use a slightly damp, non-abrasive sponge, towel or cloth to wipe down the inside and outside of the main unit. Then wipe with a non-abrasive towel to dry. For stubborn soils, a citrus degreaser may be used on the panel windows and door.  
**IMPORTANT: Not all citrus degreasers are the same and some may contain chemicals that may damage your unit!** We recommend testing the degreaser on a small, inconspicuous spot on the unit to ensure the chemicals do not damage your panels.
8. Replace the dual-hinged Lid and Wing Nuts, then place the Kettle back into the brackets of the main unit.

## REPLACE A LIGHT BULB

This popcorn cart uses a E27 light bulb - one of the most common bulbs found in homes. To replace a bulb, just twist the bulb out from under

the top of the cart inside above the kettle and twist in new bulb.

# RECIPES

The POPCORN CART makes hot, fresh, theater style popcorn anytime! Enjoy your freshly popped corn in a variety of ways:

- Regular theater style popcorn – add butter and salt.
- Add a pinch of sugar and salt to popcorn for a sweet kettle corn taste.
- Flavored popcorn – add seasoning from any gourmet popcorn seasoning kit.
- Try some of these fun recipes

**1 Gallon = 16 cups**

## PARMESAN POPCORN

- 1 Gallon of Popped Corn  
Pop corn kernels using the POPCORN CART as directed in HOW TO OPERATE section.
- 1 Tsp Garlic Powder  
Combine garlic powder, green onions, cracked pepper, sea salt and parmesan cheese. Set aside.
- 3 Green Onions, finely chopped  
In a large mixing bowl, drizzle hot olive oil over popcorn.
- ½ Tsp Cracked Pepper  
Toss until well coated.
- 1 Tsp Sea Salt
- 1 Cup Parmesan Cheese, grated (more or less to taste)  
Slowly add in dry ingredients while continuously stirring popcorn until well coated.  
You may also shake the dry ingredients over popcorn in a large paper or muslin bag.
- 3 Tbsps Olive Oil, heated

## TRADITIONAL POPCORN BALLS

- ½ Cup Popcorn  
Pop corn kernels using the POPCORN CART as directed in HOW TO OPERATE section.
- ½ Cup Corn Syrup
- ½ Cup Granulated Sugar  
Mix corn syrup, sugar and salt together in pot and dissolve over medium heat for about 3 minutes.
- ½ Teaspoon Salt  
Add popcorn to pot, stirring and tossing consistently until popcorn is evenly coated at low heat.
- 1 Stick of Butter, softened  
Remove from heat.  
Use softened butter to form balls while popcorn mixture is still warm.  
Wrap individual balls in plastic wrap, tie and store at room temperature.

**CHUNKY MONKEY**

- 1 Gallon Popcorn  
Pop corn kernels using the POPCORN CART as directed in HOW TO OPERATE section.
- 1 12-oz bag Semi-Sweet Chocolate Chips  
Melt chocolate chips and peanut butter morsels over stove, as packaging recommends.
- 1 12-oz bag Peanut Butter Morsels  
Line cookie sheet with wax paper.
- 4.2 oz bag Banana Chips, broken into small pieces  
Toss together popcorn and banana chips.  
Spread popcorn and banana chip mixture evenly over cookie sheet.
- 11-oz bag Peanuts  
Drizzle melted chocolate and peanut butter mixture over popcorn and banana chips.  
Sprinkle peanuts over chocolate and peanut butter mixture.  
Allow to cool.  
When chocolate and peanut butter has hardened, break up the Chunky Monkey into pieces.  
Can be stored in plastic freezer bags.

**POPCORN PEPPERMINT BARK**

- 1 Gallon Popped Corn  
Pop corn kernels using the POPCORN CART as directed in HOW TO OPERATE section.
- 1 12-oz bag Semi-Sweet or Dark Chocolate Chips  
Melt chocolate chips over stove, as packaging recommends.
- 1¼ cup Peppermint Sticks, crushed  
Line cookie sheet with wax paper.  
Spread popcorn evenly over cookie sheet.  
Drizzle melted chocolate over popcorn.  
Sprinkle crushed peppermints over chocolate.  
Allow to cool.  
When chocolate has hardened, break up Popcorn Peppermint Bark into pieces.  
Can be stored in plastic freezer bags.



# RETURNS & WARRANTY

SHOULD YOUR UNIT NOT WORK OR IF DAMAGED WHEN YOU FIRST TAKE IT OUT OF THE BOX, PLEASE RETURN IT TO THE PLACE OF PURCHASE IMMEDIATELY.

## VINTAGE 10 OZ. POPCORN CART / NKPCRT10RD

Should you have any questions, please contact us via email or at the customer service number listed below between the hours of 8:00 AM and 5:00 PM, Monday through Friday, Central Standard Time.

### Distributed by:

Nostalgia Products LLC  
1471 Partnership Dr.  
Green Bay, WI 54304-5685  
Customer Service  
Phone: (920) 347-9122  
Web: [www.nostalgiaproducts.com](http://www.nostalgiaproducts.com)

### Customer Service Inquiry

To submit a Customer Service inquiry, go to [www.nostalgiaproducts.com](http://www.nostalgiaproducts.com) and fill out the Customer Service Inquiry form and click the Submit button.

A representative will contact you as soon as possible.

### Product Warranty Terms

Nostalgia Products LLC (the "Company") hereby warrants that for a period of one (1) year from the date of original purchase, this product will be free of defects in material and workmanship under normal home use, provided that the product is operated and maintained in accordance with the operating instructions. As the sole and exclusive remedy under this warranty, the Company will at its discretion either repair or replace the product found to be defective, or issue a refund on the product during the warranty period. This warranty is only available to the original retail purchaser of the product from the date of initial retail purchase, and is only valid with the original sales receipt, as proof of purchase date is required to obtain warranty benefits. All warranty claims must be brought to the attention of the Company within the warranty period and no later than 30 days of the failure to perform. This warranty does not cover normal wear or damage caused by shipping, mishandling, misuse, accident, alteration, improper replacement parts, or other than ordinary household use. You may be required to return the product (with shipping prepaid by you) for inspection and evaluation. Return shipping costs are not refundable. The Company is not responsible for returns damaged or lost in transit. Unless otherwise specifically permitted by the operating instructions, this warranty applies to indoor household use only. In order to obtain service under this warranty, please contact the Company at the telephone number listed above or by filling out the Customer Service Inquiry Form located at [www.nostalgiaproducts.com](http://www.nostalgiaproducts.com). Warranty valid only in USA and Canada.

This warranty is in lieu of all other warranties, expressed or implied, including warranties of merchantability and fitness for a particular purpose, which are hereby excluded to the extent permitted by law. In no event shall the Company be liable for any indirect, incidental, consequential, or special damages arising out of or in connection with this product or the use thereof. Some states, provinces or jurisdictions do not permit the exclusion or limitation of incidental or consequential damages, so the foregoing exclusion or limitation may not apply to you.

### This warranty does not apply to re-manufactured merchandise.

Please read the operating instructions carefully. Failure to comply with the operating instructions will void this warranty.

### For more information, visit us online at [www.nostalgiaproducts.com](http://www.nostalgiaproducts.com).

Like us on Facebook at [www.facebook.com/NostalgiaElectrics](http://www.facebook.com/NostalgiaElectrics).

Follow our boards on Pinterest at [www.pinterest.com/nostalgiaelctrx](http://www.pinterest.com/nostalgiaelctrx).

Tweet along with us on Twitter at [www.twitter.com/NostalgiaElctrx](http://www.twitter.com/NostalgiaElctrx).

Faire une fête tous les jours!  
Visiter le site Web **www.nostalgiaproducts.com** pour d'autres  
produits agréables.

## TABLE DES MATIÈRES

SÉCURITÉ . . . . .	16
PRÉCAUTIONS IMPORTANTES . . . . .	17
PRÉCAUTIONS IMPORTANTES ADDITIONNEL . . . . .	17
INTRODUCTION . . . . .	18
PIÈCES ET ASSEMBLAGE . . . . .	19
COMMENT FAIRE FONCTIONNER . . . . .	24
CONSEILS PRATIQUES . . . . .	25
NETTOYAGE ET ENTRETIEN . . . . .	26
RECETTES . . . . .	27
RETOURS ET GARANTIE . . . . .	29

## SÉCURITÉ

Votre sécurité tout comme celle des autres est primordiale.

Ce manuel renferme plusieurs avis importants sur la sécurité lors de l'utilisation de votre appareil. Lire le manuel et conformez-vous aux avis contre-indiqués.



Ceci représente le symbole d'avertissement pour votre sécurité.

Ce symbole vous signale les dangers potentiels qui peuvent blesser gravement vous et d'autres.

Ce symbole d'alerte à la sécurité suivra tous les avis relatifs à la sécurité.

Tous les avis sécuritaires indiqueront le danger potentiel exact, la façon dont vous pouvez réduire vos chances de blessure et vous indiquerons les conséquences potentielles si vous ne suivez pas ces instructions à la lettre.

### Spécifications des Appareils:

120 Volts, 60 Hz

750 Watts



CE PRODUIT DOIT ÊTRE UTILISÉ UNIQUEMENT DANS UNE PRISE DE COURANT DE 120 V CA.

Reportez-vous à **www.nostalgiaproducts.com/user-manuals/**  
pour la version la plus récente.

# PRÉCAUTIONS IMPORTANTES

**Une personne n'ayant pas lu et compris toutes les instructions de fonctionnement et de sécurité n'est pas qualifiée pour faire fonctionner cet appareil. Tous les utilisateurs de cet appareil doivent lire et comprendre ce mode d'emploi avant d'utiliser ou de nettoyer cet appareil.**

**Lorsque l'on utilise un appareil électrique, il faut toujours respecter des précautions de base, y compris celles-ci :**

1. **Lisez toutes les instructions avant d'utiliser cet appareil.**
2. NE PAS TOUCHER les surfaces chaudes. Utiliser les poignées ou les boutons.
3. Cet appareil n'est PAS UN JOUET.
4. Les jeunes enfants non supervisés et les individus ayant une déficience cognitive ne devraient jamais faire fonctionner cet appareil.
5. Une surveillance étroite est nécessaire lorsqu'un appareil est utilisé par ou à proximité d'enfants.
6. Pour protéger contre les chocs électriques ne pas submerger le cordon, la fiche ou aucune pièce de cet appareil dans l'eau ou d'autres liquides.
7. Débranchez l'appareil lorsqu'il ne sert pas, avant de retirer des pièces et avant le nettoyage. Laisser refroidir avant de mettre ou d'enlever des pièces et avant le nettoyage.
8. NE PAS utiliser un appareil avec un cordon ou une fiche électrique endommagés ou après un mauvais fonctionnement de l'appareil ou s'il a été endommagé d'une manière quelconque. Retournez l'appareil à l'atelier de réparation le plus proche pour un examen, réparation ou réglage.
9. Le fabricant ne recommande pas l'utilisation d'accessoires autres que ce qui est prévu par le fabricant. L'utilisation d'accessoires peut causer des blessures.
10. NE PAS utiliser cet appareil pour toute autre utilisation pour laquelle il n'a pas été conçu.
11. N'utilisez PAS l'appareil à l'extérieur. POUR UN USAGE DOMESTIQUE UNIQUEMENT.
12. NE PAS placer sur ou près d'un brûleur à gaz ou électrique ou dans un four chauffé. 1. NE PAS mettre en lave-vaisselle.
13. NE laissez PAS le cordon pendre sur le bord de la table ou du comptoir, ni toucher les surfaces chaudes.
14. NE laissez JAMAIS l'unité sans surveillance lorsqu'il est en service ou une fois branché à une prise électrique.
15. Une extrême prudence doit être utilisée pour déplacer un appareil contenant des liquides chauds.
16. Toujours brancher l'appareil en premier, puis brancher le cordon dans la prise murale. Pour débrancher l'appareil, mettre tous les boutons à la position « arrêt », puis débrancher la fiche de la prise murale.

# PRÉCAUTIONS IMPORTANTES ADDITIONNEL

**Mesures de sécurité pour le fonctionnement**

1. NE PAS toucher à la marmite et gardez la porte de l'appareil fermée durant le fonctionnement. La marmite deviendra TRÈS CHAUDE durant le fonctionnement.
2. Assurez-vous que la marmite est bien attachée aux supports avant de la mettre en marche et que le moteur est branché à la marmite.
3. Vérifiez en cas d'objets étrangers dans la marmite avant de l'utiliser.
4. NE PAS mettre du beurre, des assaisonnements ou autres que des grains de maïs et de l'huile dans la marmite. L'utilisation de toutes autres

substances peut causer des dangers et peut endommager l'appareil.

5. NE PAS faire fonctionner la machine sans l'huile car les grains de maïs pourraient brûler voire fumer.
6. NE PAS laisser le moteur de la marmite fonctionner une fois que le maïs a cessé d'éclater.
7. Soyez prudent lorsque vous videz le maïs éclaté. Toujours utiliser la manivelle pour vider le maïs éclaté et assurez-vous que l'appareil est au-dessus d'un comptoir afin que l'huile chaude résiduelle s'écoulant ne brûle rien.
8. N'employez PAS l'appareil pour une autre utilisation que celle pour laquelle elle a été conçue.

#### **Instructions pour le cordon électrique et la prise**

1. RISQUE DE DÉCHARGE ÉLECTRIQUE : Ne pas suivre ces instructions peut entraîner la mort, un incendie ou une électrocution.
  - Branchez dans une prise à 3 fiches.
  - NE retirez PAS la fiche de la mise à la terre.
  - N'utilisez PAS d'adaptateur.
  - N'utilisez PAS une rallonge.
2. Cet appareil DOIT être mis à la terre. Dans le cas d'un court-circuit électrique, la mise à la terre réduit le risque de choc électrique en offrant un fil d'échappement pour le courant électrique. Cet appareil est équipé d'un cordon muni d'un fil de mise à la terre avec une fiche de mise à la terre. La fiche doit être branchée sur une prise correctement installée et mise à la terre.
3. AVERTISSEMENT : Une mauvaise utilisation de la prise de mise à la terre peut entraîner un risque d'électrocution. **Si la fiche n'entre pas complètement dans la prise, contactez un électricien qualifié. Ne pas tenter de modifier la fiche de quelque façon que ce soit.**
4. Un court cordon d'alimentation est fourni pour réduire les risques d'enchevêtrement ou risques de trébucher sur un cordon plus long.

Le fabricant ne recommande pas l'utilisation de cette machine dans les pays qui ne supportent pas les tensions de 120V AC, même si un adaptateur de tension, un transformateur ou un convertisseur est utilisé.

## **CONSERVEZ CES INSTRUCTIONS!**

### **INTRODUCTION**

Merci d'avoir acheté le CHARIOT À MAÏS SOUFFLÉ DU CINÉMA D'ANTAN AVEC KIOAQUE DE CONCESSION, un produit de Nostalgia Vintage Series™. Ce chariot de style vendeurs ambulants donne jusqu'à 40 tasses de maïs soufflé chaud, frais par fournée. Il comprend une grande marmite en inox et un système de brasage intégré ainsi qu'un dispositif collecteur des grains de maïs non éclatés pour un lot parfait chaque fois. Il y a un compartiment à la base de l'appareil pour ranger les fournitures, ce qui permet de garder le chariot bien approvisionné et organisé, il n'y a alors aucune raison d'empêcher la fête de s'éclater!

# PIÈCES ET ASSEMBLAGE

Veillez vous assurer que vous avez retiré tout le matériel et les pièces énumérées avant de jeter l'emballage. Dans nos efforts pour réduire l'emballage, nous le maximisons pour protéger votre nouvel achat. En conséquence, les petites pièces pourraient ne pas être facilement visibles.

## Quincaillerie



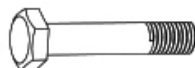
No 1 Vis (8mm)  
Qté 4



No 2 Vis (8mm)  
Qté 6



No 3 Boulon (25mm)  
Qté 4



No 4 Boulon (60mm)  
Qté 4



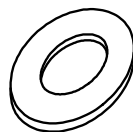
No 5 Rondelle  
de blocage  
Qté 4



No 6 Rondelle plate  
Qté 4

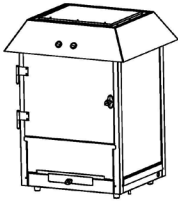


No 7 Chapeau d'écrou  
Qté 6



No 8 Flat Washer  
Qté 2

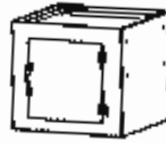
## Pièces



(A) Unité Principale  
les Grains



(B) Tasse à Mesurer  
d'Entreposage



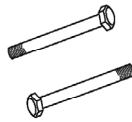
(C) Compartiment



(D) Cuillère à Mesurer  
l'Huile (1 cuil. table)



(E) Poignée de Poussé



(F) Tige de l'essieu



(G) Roue



(H) Clé



(I) Base



(J) Plaque inférieure



(K) Barre  
transversale



(L) Élément Inférieur



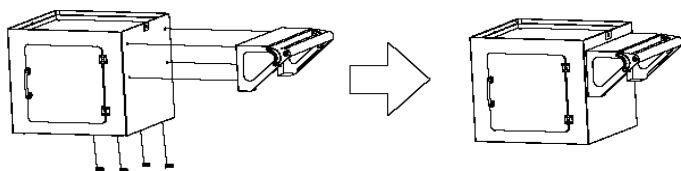
(M) Pelle à Maïs



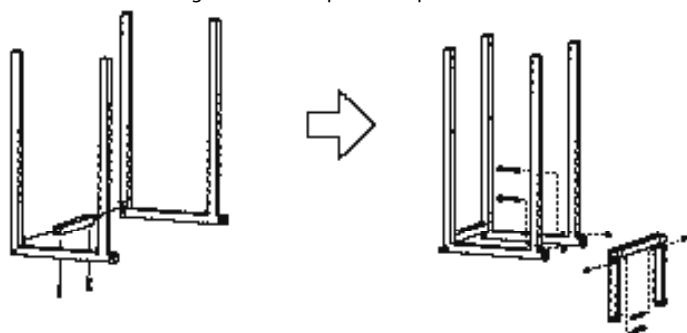
(N) Tournevis

## Assemblage de la base

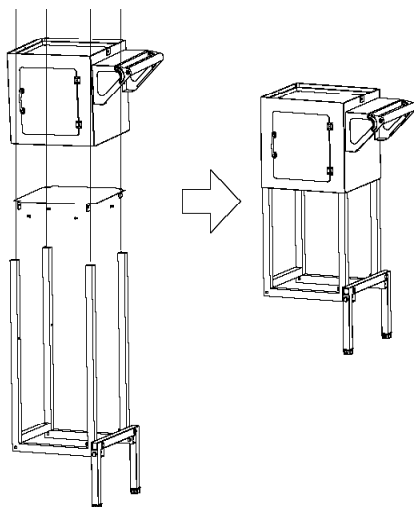
1. Fixer la Poignée-poussoir (E) à partir de l'intérieur du Compartiment de rangement (C) à l'aide des Vis no 1 prévues.



2. Insérer la Barre transversale (K) dans les fentes carrées situées à l'intérieur de la Base (I), puis fixer solidement en dessous à l'aide des Vis no 2. Insérer l'Ensemble pieds (L) sur les extrémités saillantes de la Base (I), puis fixer à partir de l'intérieur de la Base (I), à l'aide des quatre Boulons no 4, des quatre Rondelles de verrouillage no 5 et des quatre Chapeaux d'écrou no 7.

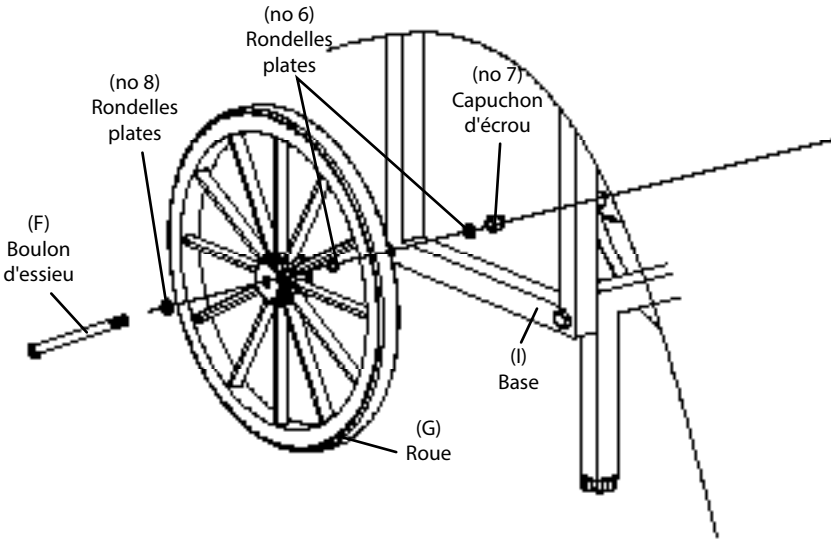


3. Fixer solidement la Plaque inférieure (J) à la Base (I) en utilisant quatre Vis no 2.
4. Assembler la Base (I) au fond du Compartiment de rangement (C), puis fixer solidement à l'aide des quatre Boulons no 3.



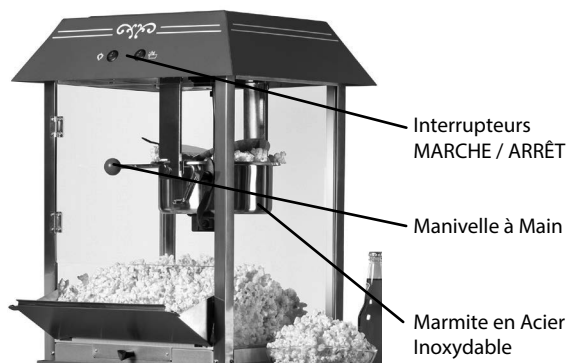
### Assemblage des roulettes

1. Faire glisser une Rondelle plates no 8 sur le Boulon d'essieu (F), puis insérer le Boulon d'essieu (F) sur la Roue (G).
2. Poser une Rondelle plate no 6. Insérer le Boulon d'essieu (F) avec la Roue (G) sur la Base (I).
3. Ajouter une deuxième Rondelle plate no 6 et un Chapeau d'écrou no 7. Utiliser la Clé (H) pour serrer le Chapeau d'écrou no 7.
4. Refaire les étapes pour fixer la seconde Roue (G) de l'autre côté de la Base (I).



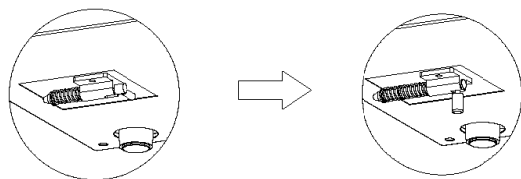


## Assemblage de l'Appareil principal



### Verrouillage de l'Appareil principal au Compartiment de rangement

Placer l'Appareil principal (A) sur le dessus du Compartiment de rangement (C). S'assurer que les deux goupilles d'insertion à la base de l'Appareil principal (A) s'alignent correctement de manière à ce que l'Appareil principal (A) puisse se verrouiller sous la barre du Compartiment de rangement (C).



# COMMENT FAIRE FONCTIONNER

Avant la première utilisation, nettoyer l'intérieur de l'appareil en l'essuyant avec une éponge, serviette ou chiffon non abrasif puis essuyer avec une serviette sèche non-abrasive. Essuyer l'intérieur du chaudron et s'assurer qu'il est correctement placé dans les supports avant de commencer.

1. Tout d'abord, trouver une surface plane à proximité d'une prise électrique avant de commencer. S'assurer que le cordon est éloigné de toute source d'eau. Il est acceptable d'utiliser une rallonge si nécessaire.
2. Regrouper vos provisions pour obtenir le maïs éclaté: grains de maïs, assaisonnements, huile de cuisson, bol de service, tasse à mesurer les grains et cuillère pour mesurer l'huile. (Le bol de service, la tasse à mesurer les grains et la cuillère pour mesurer l'huile sont inclus avec votre appareil.)
3. Brancher l'appareil à la prise murale alors que le commutateur est en a position ÉTEINTE.
4. S'assurer que le chaudron est bien fixé dans les pattes des supports et que le cordon du moteur du chaudron est bien branché dans la prise située sur le bas inférieur du chaudron. Le cordon du moteur du chaudron est situé au plafond de l'appareil.  
**REMARQUE** : Le chaudron ne chauffera pas si la prise n'est pas entièrement insérée.
5. Allumer l'appareil à la position ALLUMÉE en basculant l'interrupteur sur le dessus de la machine. Laisser l'appareil fonctionner 3 à 5 minutes pour faire chauffer le chaudron.
6. ÉTEINDRE l'appareil.
7. Utiliser la cuillère à mesurer l'huile fournie, pour ajouter 5 cuillères à soupe de votre huile à cuisson préférée au maïs du chaudron. Pour de meilleurs résultats il est suggéré d'employer l'huile de noix de coco.
8. Ajouter 1 ½ tasse (10 onces.) de grains de maïs soufflé au chaudron utilisant la tasse à mesurer les grains fournie.  
**REMARQUE** : NE PAS trop remplir ou entasser les grains dans la tasse à mesurer car cela produira un refoulement dans le chaudron. Ce faisant cela peut donner lieu à plus de grains non éclatés et donner des grains fumés ou brûlés.
9. Allumer l'unité et fermer la porte. En un rien de temps vous entendrez l'éclatement des grains commencer. Du maïs soufflé frais, chaud, va commencer à jaillir des rabats sur le chaudron !  
**REMARQUE** : La vapeur produite pendant le processus d'éclatement est normale.
10. Une fois que les grains ont cessé d'éclater, éteindre l'appareil et faire pencher le chaudron en utilisant le bouton rouge de la manivelle pour libérer le maïs soufflé.  
**REMARQUE** : Ne pas laisser le moteur fonctionner après que le maïs soufflé soit éclaté.  
**⚠ IMPORTANT** : Utiliser la plus grande prudence lors de la vidange du maïs soufflé. Toujours s'assurer que l'appareil est placé sur un comptoir de sorte que l'huile chaude résiduelle qui s'écoule ne cause pas de brûlures.
11. Après chaque lot de maïs soufflé, vérifier et vider tous les grains non éclatés du capteur à grains.

# CONSEILS PRATIQUES



**Ne jamais laisser l'unité sans surveillance lorsqu'il est en fonction.**

## CHAUFFAGE

Si votre CHARIOT À MAÏS ÉCLATÉ D'ANTAN commence à fumer pendant la cuisson cela peut être dû à la graisse accumulée. Afin de réduire la fumée s'assurer de nettoyer l'intérieur du chaudron entre les utilisations.

## MAÏS ÉCLATÉ

Le CHARIOT À MAÏS ÉCLATÉ D'ANTAN est conçu pour toutes les marques d'appareil à faire éclater le maïs régulières et de meilleure qualité. Le maïs jaune éclate généralement mieux que le maïs blanc tandis que certaines marques de grains ont une coquille extérieure plus dure et cela peut résulter en moins de grains éclatés. Essayer différentes marques pour trouver ce qui vous convient le mieux.

Si vous remarquez que vous obtenez beaucoup de grains non éclatés, essayer d'ajouter plus d'huile à cuisson au chaudron. Plus d'huile peut aider à faire éclater plus de grains.

Toujours utiliser du maïs à éclater frais. Séché, rassis ou vieux le maïs soufflé éclate mal car il a perdu sa teneur en humidité et peut brûler. Nous recommandons d'entreposer le maïs soufflé dans un récipient hermétique dans un endroit frais.

De temps en temps le maïs éclaté n'éclate pas. Cela est généralement le résultat de facteurs environnementaux tels que la fraîcheur et la teneur en humidité du maïs soufflé ou les différences dans les types de maïs soufflé. Des grains non éclatés ne signifient pas nécessairement un défaut de l'appareil.

Lors du remplissage de la tasse à mesurer les grains, s'assurer de ne pas remplir au-dessus de la ligne marquée. Un remplissage insuffisant peut faire qu'il y a moins de grains à éclater et plus de grains non éclatés qui sortiront de l'appareil. Le sur-remplissage peut faire que le maïs soufflé brûle et fume puisqu' il surcharge le chaudron.

## ASSAISONNEMENTS

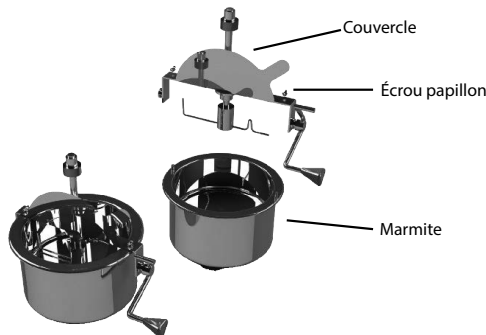
Pour un maïs soufflé à plus de saveur de beurre ou quand on ajoute les assaisonnements, une giclée d'huile d'olive, eau ou beurre permettront aux assaisonnements de mieux coller au maïs éclaté.



**IMPORTANT:** NE PAS placer le beurre, les assaisonnements ou autre chose que les grains de maïs soufflé dans le chaudron à maïs soufflé. L'utilisation de ces matières peut provoquer des dangers et peut endommager l'appareil.

# NETTOYAGE ET ENTRETIEN

## MARMITE FACILE À NETTOYER



Avant le nettoyage, s'assurer que l'appareil est débranché de la prise murale et que le cordon du chaudron est débranché du chaudron. Permettre à l'unité de se refroidir complètement avant le nettoyage.

1. Après que le cordon du chaudron ait été débranché et que le chaudron a complètement refroidi, enlevez le chaudron des supports et sortir le chaudron hors de l'unité principale.
2. Retirez les deux écrous à oreilles en les tournant dans le sens inverse des aiguilles d'une montre, puis soulevez le couvercle à double charnière de la marmite.
3. Après avoir retiré le chaudron de l'unité principale, le remplir avec une petite quantité d'eau chaude savonneuse.

**REMARQUE :** Pour protéger le réceptacle à cordon du chaudron de se mouiller, **ne jamais permettre de l'eau ou un liquide quelconque à proximité ou dans le réceptacle à cordon du chaudron**. Ne jamais placer aucune pièce dans le lave-vaisselle. Toujours laver à la main.

4. Laisser le chaudron reposer pendant 15 à 20 minutes afin de couper la graisse. (Le temps exigé pour couper la graisse peut changer - employez votre propre jugement selon la quantité de nettoyage nécessaire.)
5. Soigneusement vider l'eau du chaudron en prenant soin de ne pas envoyer de l'eau dans le réceptacle à cordon du chaudron. Si nécessaire, utiliser le côté du tampon à récurer d'une éponge pour brosser l'intérieur du chaudron.
6. Rincer l'intérieur du chaudron soigneusement et sécher avec une serviette non-abrasive. Essuyer l'extérieur du chaudron avec un chiffon humide puis sécher.
7. Utiliser une éponge légèrement humide, non-abrasive, serviette ou chiffon pour essuyer l'intérieur et l'extérieur de l'unité principale aussi bien que les distributeurs d'assaisonnements et bol de service. Puis essuyer avec une serviette non-abrasive pour faire sécher. Pour les taches tenaces, un dégraissant aux agrumes peut être utilisé sur les panneaux de la vitre et de la porte.  
**IMPORTANT: Pas tous les dégraissants aux agrumes sont les mêmes et certains peuvent contenir des produits chimiques qui peuvent endommager votre appareil !** Nous recommandons de vérifier le dégraissant sur une petite surface non visible de l'unité pour s'assurer que les produits chimiques n'endommageront pas vos panneaux.
8. Replacer le couvercle à double charnière et les écrous à oreilles, puis remettre la marmite dans les supports de l'unité principale.

## REMPLENER UNE AMPOULE

Ce chariot à pop-corn utilise une ampoule E27 - l'une des ampoules les plus courantes dans les maisons. Pour remplacer une ampoule, il suffit de tourner l'ampoule de dessous le haut

du chariot à l'intérieur, au-dessus de la bouilloire, et d'y introduire une nouvelle ampoule.

# RECETTES

Le CHARIOT À MAÏS ÉCLATÉ D'ANTAN fait du maïs chaud, frais, de style des salles de cinéma chaque fois – en tout temps. Profitez de votre maïs fraîchement éclaté de plusieurs façons:

- Maïs régulier de style salles de cinéma – ajouter du beurre et du sel
- Ajouter une pincée de sucre et de sel au maïs pour un goût de maïs sucré
- Maïs parfumé – ajouter les assaisonnements de votre ensemble d'assaisonnement à maïs pour gourmet
- Essayez ces savoureuses recettes:

## SINGE JOUFFLU

- 3.79 L de Maïs Éclaté
  - 1 Sac de 340g de Brisures de Chocolat Mi-Sucré
  - 1 Sac de 340g de Bouchées au Beurre d'Arachides
  - 1 Sac de 119g de Croustilles de Banane, Coupées en Petits Morceaux
  - 1 Sac de 311g d'Arachides
- Faites éclater les grains de maïs dans votre CHARIOT À MAÏS ÉCLATÉ D'ANTAN tel qu'indiqué dans la section COMMENT FAIRE FONCTIONNER.
- Faites fondre les brisures de chocolat et les bouchées au beurre d'arachide sur la cuisinière, tel que recommandé sur leur emballage.
- Recouvrez une tôle à biscuits avec du papier ciré.
- Mélangez le maïs éclaté et les croustilles de banane.
- Étendez le mélange de maïs et de croustilles de banane également sur la tôle à biscuits.
- Arrosez le maïs et les croustilles de banane avec le mélange de chocolat et de bouchées de beurre d'arachides fondu.
- Saupoudrez les arachides sur le mélange de chocolat et de bouchées de beurre d'arachides.
- Laissez refroidir.
- Lorsque le chocolat et le beurre d'arachides aura durci, cassez votre Singe Joufflu en morceaux.
- Peut être conservé dans des sacs de plastique pour congélateur.

## MAÏS ÉCLATÉ AU PARMESAN

- 3.79 L de Maïs Éclaté
  - 5 mL à thé de Poudre d'Ail
  - 3 Échalotes Finement Hachées
  - 2½ mL à Table de Poivre Concassé
  - 5 mL Table de Sel de Mer
  - 90 g. de Parmesan Râpé (plus ou moins, au goût)
  - 45 mL Table d'Huile d'Olive Chauffée
- Faites éclater les grains de maïs dans votre CHARIOT À MAÏS ÉCLATÉ D'ANTAN tel qu'indiqué dans la section COMMENT FAIRE FONCTIONNER.
- Mélangez la poudre d'ail, les échalotes, le poivre concassé, le sel de mer et le parmesan. Réservez.
- Dans un grand bol à mélanger, arrosez le maïs avec de l'huile d'olive chaude.
- Mélangez jusqu'à ce que le maïs soit bien badigeonné.
- Ajoutez les ingrédients secs graduellement tout en continuant à mélanger le maïs jusqu'à ce qu'il soit bien enrobé.
- Vous pouvez aussi saupoudrez les ingrédients secs sur le maïs dans un grand sac en papier ou en mousseline.

## BOULES DE MAÏS ÉCLATÉ TRADITIONNELLES

- 70 g. de Maïs Éclaté
  - 120 mL de Sirop de Maïs
  - 100 g. de Sucre Granulé
  - 2½ mL Thé de Sel
  - 1 Bâtonnet de Beurre, Amolli
- Faites éclater les grains de maïs dans votre CHARIOT À MAÏS ÉCLATÉ D'ANTAN tel qu'indiqué dans la section COMMENT FAIRE FONCTIONNER.
- Mélangez le sirop de maïs, le sucre et le sel ensemble dans un chaudron et faire dissoudre à feu moyen pendant environ 3 minutes.
- Ajoutez le maïs éclaté au chaudron en remuant constamment à feu doux jusqu'à ce que le maïs soit enrobé également.

Retirez du feu.

Utilisez le beurre ramolli pour faire des boules pendant que le mélange de maïs est encore chaud.

Emballer les boules individuellement dans une pellicule plastique, attachez et conservez à la température de la pièce.

## ÉCORCES DE MAÏS ÉCLATÉ À LA MENTHE

- 3.79 L de Maïs Éclaté
  - 1 Sac de 340g de Brisures de Chocolat Mi-Sucré
  - 160 g. de Bâtonnets à la Menthe, Émiettés
- Faites éclater les grains de maïs en utilisant votre CHARIOT À MAÏS ÉCLATÉ D'ANTAN tel qu'indiqué à la page 23.
- Faites fondre les brisures de chocolat sur la cuisinière, tel que le recommande l'emballage.
- Recouvrez une tôle à biscuits avec du papier ciré.

Étendez le maïs éclaté également sur la tôle à biscuits.

Arrosez le maïs éclaté avec le chocolat fondu.

Saupoudrez les bâtonnets à la menthe émiettés sur le chocolat.

Laissez refroidir.

Lorsque le chocolat aura durci, brisez les écorces de maïs éclaté à la menthe en morceaux.

Se conserve dans des sacs en plastique pour le congélateur.

# RETOURS ET GARANTIE

SI VOTRE APPAREIL NE FONCTIONNE PAS OU S'IL EST ENDOMMAGÉ QUAND VOUS LE RETIREZ DE LA BOÎTE, VEUILLEZ LE RETOURNER IMMÉDIATEMENT À L'ENDROIT OÙ IL A ÉTÉ ACHETÉ.

## CHARIOT À MAÎS ÉCLATÉ D'ANTAN / NKP CRT10RD

Pour toute question, communiquer par courriel ou au numéro de téléphone du service à la clientèle, entre 08 h 00 et 17 h 00, du lundi au vendredi, heure normale du Centre.

### Distribué par :

Nostalgia Products LLC  
1471 Partnership Dr.  
Green Bay, WI 54304-5685  
Service à la clientèle  
Téléphone : (920) 347-9122  
Site Web : [www.nostalgiaproducts.com](http://www.nostalgiaproducts.com)

### Demande pour le service à la clientèle

Pour soumettre une demande au service à la clientèle, rendez vous au [www.nostalgiaproducts.com](http://www.nostalgiaproducts.com) puis remplissez le formulaire de demande au service à la clientèle puis cliquez sur le bouton Soumettre.

Un représentant vous contactera dès que possible.

### Conditions de garantie du produit

Le groupe Nostalgia Products LLC (référé tel « l'Entreprise ») garantit que pour une période d'un (1) an en date d'achat, ce produit est sans défaut de matériel et de fabrication selon une utilisation normale à domicile, seulement si le fonctionnement et l'entretien du produit sont conformes aux directives fournies. À titre de réparation exclusive et entière sous cette garantie, l'Entreprise pourra à sa discrétion, réparer ou remplacer le produit défectueux, voire émettre un remboursement du produit durant la période couverte sous garantie. Cette garantie n'est disponible seulement qu'à l'acheteur d'origine du produit, en date d'achat au détail dudit produit et sera valide uniquement avec le reçu de caisse d'origine, à titre de preuve d'achat, lequel est requis pour obtenir les bienfaits reliés à cette garantie. Toute réclamation doit être rapportée à l'attention de l'Entreprise dans la fenêtre de la période de la garantie, sans dépasser 30 jours à défaut de performance. Cette garantie ne couvre pas l'usure normale ou dommage cause par l'expédition, la mauvaise manipulation, la mauvaise utilisation, les accidents, les modifications, les mauvaises pièces de remplacement, voire toute autre utilisation anormale du produit à domicile. Il est possible que vous ayez à retourner le produit (avec les frais de retour prépayés par vous) pour une inspection et une évaluation. Les frais des coûts de retour ne sont pas remboursables. L'Entreprise n'est aucunement responsable pour les retours endommagés ou perdus en transit. Autrement que spécifiquement permis selon les directives de fonctionnement, cette garantie s'applique à une utilisation à domicile à d'intérieur seulement. Afin d'obtenir un service couvert sous cette garantie, veuillez contacter l'Entreprise au numéro de téléphone inclut ci-haut ou en remplissant le formulaire de demande au service à la clientèle, sur le site [www.nostalgiaproducts.com](http://www.nostalgiaproducts.com). La garantie est valide seulement aux États-Unis et au Canada.

Cette garantie prévaut toute autre garantie, expresse ou implicite incluant les garanties de qualité marchande ou ayant une aptitude pour une intention en particulier, lesquelles sont exclues selon la loi. Sous aucun prétexte l'Entreprise ne pourra être tenue responsable pour tout dommage indirect, accidentel, conséquentiel ou spécial provenant de ou en relativité avec ce produit ou son utilisation. Certains états, provinces ou juridictions n'allouent pas l'exclusion ou la limitation de tels dommages accidentels ou conséquentiels, donc l'exclusion ou limitation suscitée peut ne pas s'appliquer à vous.

### Cette garantie ne s'applique pas à la marchandise de renaissance.

Veillez lire les directives de fonctionnement attentivement. Ne pas se conformer aux directives de fonctionnement annulera cette garantie.

### Pour plus d'informations, visitez notre site Web à [www.nostalgiaproducts.com](http://www.nostalgiaproducts.com).

Aimez-nous sur Facebook à l'adresse [www.facebook.com / NostalgiaElectrics](http://www.facebook.com/NostalgiaElectrics).

Suivez nos conseils sur Pinterest à [www.pinterest.com / nostalgialctrx](http://www.pinterest.com/nostalgiaelctrx).

Tweet avec nous sur Twitter à l'adresse [www.twitter.com / NostalgiaElctrx](http://www.twitter.com/NostalgiaElctrx).

¡Convierta todos los días en una fietsa!  
Visite [www.nostalgiaproducts.com](http://www.nostalgiaproducts.com) para  
ver más productos divertidos.

## CONTENIDO

SEGURIDAD . . . . .	30
SALVAGUARDIAS IMPORTANTES . . . . .	31
SALVAGUARDIAS IMPORTANTES ADICIONALES . . . . .	31
INTRODUCCIÓN . . . . .	32
PIEZAS Y ENSAMBLAJE . . . . .	33
CÓMO FUNCIONA . . . . .	38
CONSEJOS ÚTILES . . . . .	39
LIMPIEZA Y MANTENIMIENTO . . . . .	40
RECETAS . . . . .	41
DEVOLUCIONES Y GARANTÍA . . . . .	43

## SEGURIDAD

Su seguridad y la seguridad de los demás es muy importante.

Hemos incluido varios mensajes importantes de seguridad en este manual y en su aparato. Siempre lea y cumpla con todos los mensajes de seguridad.



Éste es un símbolo de alerta de seguridad.

Este símbolo lo alerta de potenciales peligros que lo puedan matar o dañar a usted o a otros.

Todos los mensajes de seguridad tendrán el símbolo de alerta de seguridad.

Todos los mensajes de seguridad le dirán cuál es el peligro potencial, cómo reducir la probabilidad de daños y qué puede suceder si no se siguen las instrucciones.

### Especificaciones del Aparato:

120 Volts, 60 Hz  
750 Watts



ESTE PRODUCTO ES PARA USAR SOLAMENTE EN TOMAS DE CORRIENTE DE 120 VCA

Visite [www.nostalgiaproducts.com/user-manuals/](http://www.nostalgiaproducts.com/user-manuals/) para ver el manual más actualizado.



# **SALVAGUARDIAS IMPORTANTES**

**Una persona que no haya leído y comprendido todas las instrucciones de uso y seguridad no está calificada para utilizar este aparato. Todos los usuarios de este dispositivo deben leer y comprender este Manual de instrucciones antes de utilizar o limpiar este aparato.**

**Cuando utiliza aparatos eléctricos, siempre se deben seguir algunas medidas básicas de seguridad que incluyen las siguientes:**

1. **Lea todas las instrucciones antes de utilizar este aparato.**
2. NO TOQUE las superficies calientes. Use agarraderas o mangos.
3. Este aparato NO ES UN JUGUETE.
4. Los niños pequeños sin supervisión y las personas con limitación cognitiva nunca deben utilizar este aparato.
5. Una supervisión estricta se requiere cuando un aparato se use por niños o cerca de ellos.
6. Como medida de protección contra el riesgo de descarga eléctrica, no sumerja el cable, los enchufes ni ninguna otra parte de la unidad en agua ni en otros líquidos.
7. Desconéctelo del tomacorriente cuando no esté en uso, antes de retirar piezas y antes de la limpieza. Déjelo enfriar antes de colocar o retirar cualquiera de las piezas, y antes de la limpieza.
8. NO utilice ningún aparato con el cable o el enchufe dañados, ni si el aparato tiene desperfectos o SI se ha dañado de cualquier manera. Devolver el aparato al taller de reparación más cercano para su reparación o ajuste.
9. El fabricante no recomienda el uso de otros aditamentos o accesorios diferentes a los proporcionados por el fabricante. El uso de accesorios puede provocar lesiones.
10. NO utilice el aparato para otros usos que no haya sido diseñado.
11. NO utilice el aparato al aire libre. SOLO PARA USO DOMÉSTICO.
12. NO lo coloque sobre o cerca de una hornilla eléctrica o gas caliente, o en un horno caliente.
13. NO permita que el cable cuelgue sobre el borde de la mesa o del mostrador, ni que toque superficies calientes.
14. NUNCA deje la unidad desatendida mientras esté en uso o cuando esté enchufada a una toma de corriente.
15. Debe ser extremadamente cuidadoso al mover cualquier aparato con comida caliente.
16. Siempre conecte primero el enchufe al aparato, luego enchufe el cable a la toma de corriente. Para desconectar, mueva todos los controles a "apagar" y luego retire el enchufe del tomacorriente.

# **SALVAGUARDIAS IMPORTANTES ADICIONALES**

## **Precauciones de seguridad operativa**

1. NO toque el caldero y mantenga la puerta de la unidad principal cerrada mientras funciona. El caldero se vuelve MUY CALIENTE durante el funcionamiento.
2. Asegúrese de que el caldero esté correctamente conectado a los soportes antes de utilizarlo y que el enchufe del motor esté conectado al caldero.
3. Revise el caldero para ver si tiene objetos extraños antes del uso.
4. NO coloque mantequilla, condimentos, o cualquier cosa aparte de pepitas de palomitas de maíz, en la Cámara de explosiones. El uso de estas sustancias puede ser peligroso y dañar la unidad.

5. NO use la unidad sin aceite ya que las pepitas de palomitas de maíz pueden provocar quemaduras o humo.
6. NO deje el motor del caldero encendido cuando hayan terminado las explosiones.
7. Tenga cuidado al vaciar las palomitas de maíz. Siempre use la manivela para vaciar las palomitas de maíz y asegúrese de que la unidad esté en una encimera para que el aceite caliente residual que sale no cause quemaduras.
8. NO utilice el aparato para otro uso que no sea el cual para el que está destinado.

#### **Instrucciones para el cable eléctrico y el enchufe**

1. RIESGO DE DESCARGA ELÉCTRICA: El incumplimiento de estas instrucciones puede resultar en la muerte, incendio o descarga eléctrica.
  - Enchufe en un tomacorrientes de 3 patas con conexión a tierra.
  - NO retire la patilla de conexión de tierra.
  - NO utilice un adaptador.
  - NO utilice un cable de extensión.
2. La unidad DEBE conectarse a tierra. En caso de un corto circuito, la conexión a tierra reduce el riesgo de descarga eléctrica al proporcionar un cable de escape para la corriente eléctrica. Esta unidad está provista de un cable que tiene un cable a tierra con un enchufe a tierra. Se debe enchufar en un tomacorriente de pared instalado apropiadamente y conectado a tierra.
3. ADVERTENCIA: El uso incorrecto de la toma de tierra puede resultar en riesgo de sufrir una descarga eléctrica. **Si el enchufe no entra completo en el tomacorriente, contacte a un electricista calificado. No trate de modificar el enchufe de ninguna manera.**
4. Se provee un cable de alimentación corto para reducir el riesgo resultante de enredarse o tropezar con un cable largo.

El fabricante no recomienda el uso de esta máquina en países que no admiten 120V CA incluso si se está usando un adaptador, transformador o convertidor de voltaje.

## **¡GUARDE ESTAS INSTRUCCIONES!**

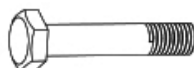
## **INTRODUCCIÓN**

Gracias por comprar el CARRITO PARA PALOMITAS DE MAÍZ AL ESTILO DEL CINE ANTIGUO, un producto de Nostalgia™. Este carrito de palomitas con estilo de vendedor procesa hasta 40 tazas de palomitas de maíz calientes y frescas cocinadas en el caldero por cada lote. Posee un gran caldero de acero inoxidable con un sistema de agitación incorporado y un receptor de granos para mantener los granos no abiertos fuera de cada lote perfecto. ¡Hay un compartimiento en la base de la unidad para almacenar consumibles, lo que hace más fácil mantener el carrito bien abastecido y organizado, así que no hay razón para no mantener su producción en la fiesta!

# PIEZAS Y ENSAMBLAJE

Por favor, asegúrese de haber sacado todas las piezas y partes que se muestran a continuación, antes de desechar el embalaje. Con la intención de reducir el embalaje hemos maximizado los materiales para proteger su nueva compra y como resultado las partes pequeñas podrían no verse a simple vista.

## Piezas

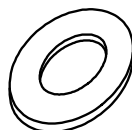


Pieza N°1 Tornillo  
(8mm) Cantidad: 4

Pieza N°2 Tornillo  
(8mm) Cantidad: 6

Pieza N°3 Perno  
(25mm) Cantidad: 4

Pieza N°4 Perno  
(60mm) Cantidad: 4



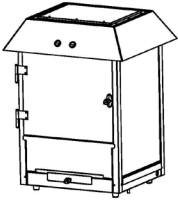
Pieza N°5  
Arandela de seguridad  
Cantidad: 4

Pieza N°6  
Arandela Plana  
Cantidad: 4

Pieza N°7  
Tuerca de Seguridad  
Cantidad: 6

Pieza N°8 Arandela  
Plana  
Cantidad: 2

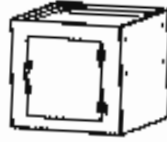
## Piezas



(A) Unidad Principal



(B) Taza Medidora de Granos



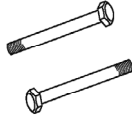
(C) Compartimiento de Almacenamiento



(D) Cuchara Medidora de Aceite (1 cda.)



(E) Agarradera para empujar



(F) Barra de eje



(G) Ruedas



(H) Llave de Tuercas



(I) Soporte de la Base



(J) Placa Inferior



(K) Barra Transversal



(L) Conjunto de las Patas



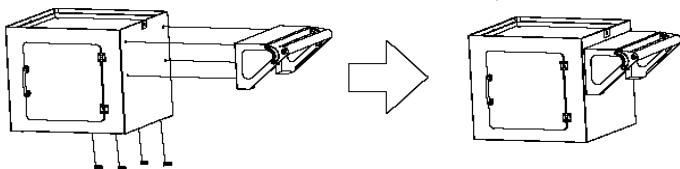
(M) Cuchara Palomera



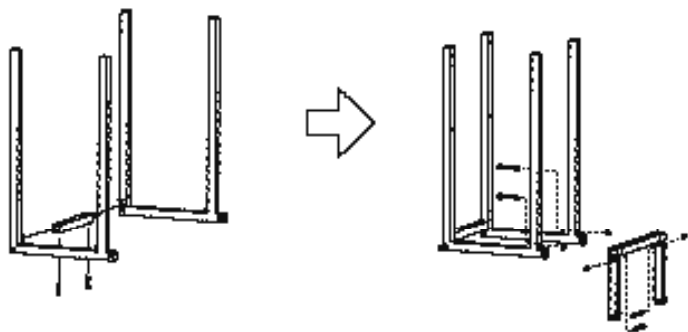
(N) Destornillador

## Armado del Soporte de la Base

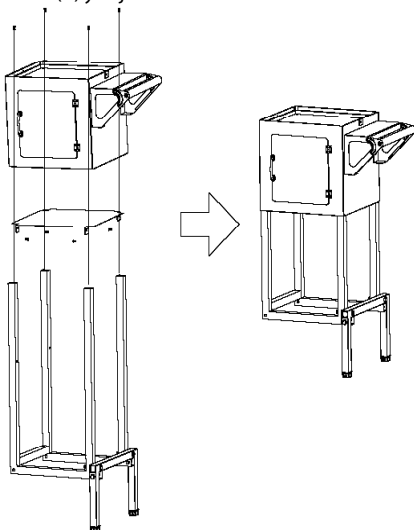
1. Sujete la Empuñadura para Empujar (E) desde la parte interior del Compartimiento para Almacenamiento cosas (C) utilizando los Tornillos N°1 que vienen en el embalaje.



2. Inserte el Travesaño (K) en los encastres cuadrados desde el interior del Soporte de la Base (I) y asegúrelo desde la parte de abajo con los Tornillos N°2. Inserte el Ensamble de las Patas (L) sobre los extremos salientes del Soporte de la Base (I) y sujete desde la parte de adentro del Soporte de la Base (I) utilizando cuatro Pernos N°4, cuatro Arandelas de seguridad N°5 y cuatro Tuercas de Seguridad N°7.

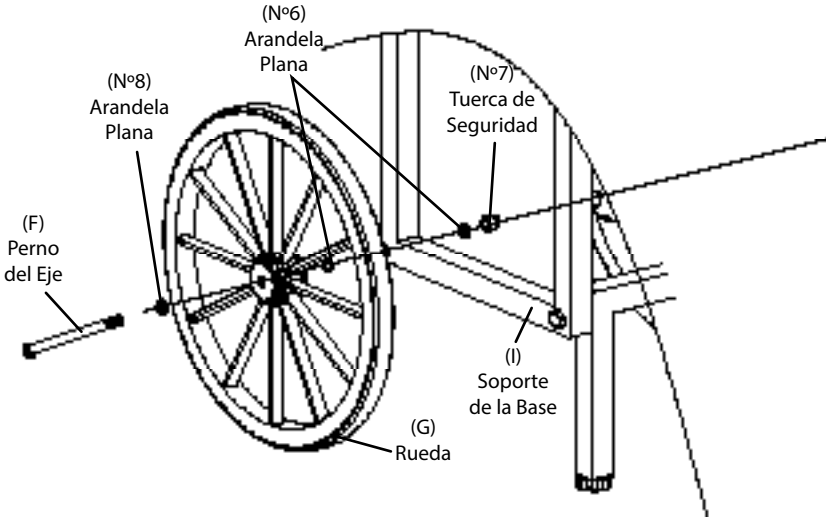


3. Sujete el Plato Inferior (J) al Soporte de la Base (I) utilizando cuatro Tornillos N°2.
4. Arme el Soporte de la Base (I) en la parte inferior del Compartimiento para Almacenamiento (C) y sujételo con cuatro Pernos N°3.

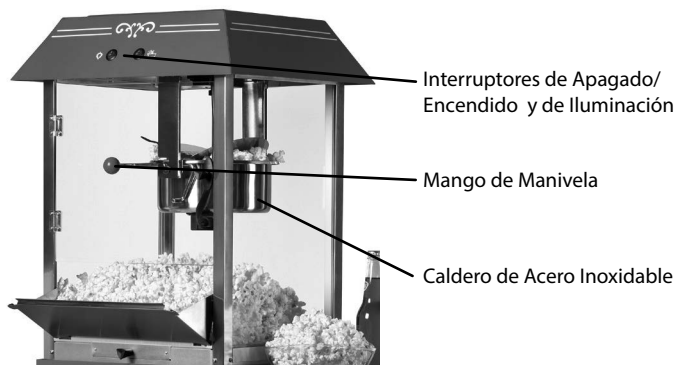


### Armado de las Ruedas

1. Deslice una Arandela plana N°8 por el Perno del Eje (F) e inserte el Perno del Eje (F) en la Rueda (G).
2. Coloque una Arandela plana N°6. Inserte el Perno del Eje (F) junto a la Rueda (G) en el Soporte de la Base (I).
3. Agregue una segunda Arandela Plana N°6 y la Tuerca de Seguridad N°7. Use la Llave (H) para ajustar la Tuerca de Seguridad N°7.
4. Repita estos pasos para sujetar la segunda Rueda (G) en el otro lado del Soporte de la Base (I).

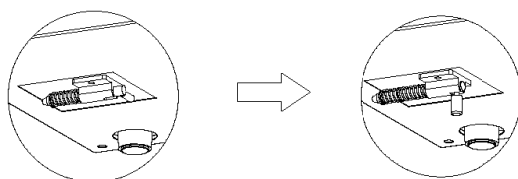


## Ensamblaje de la Unidad Principal



### Cómo Sujetar el Compartimiento para Almacenamiento de la Unidad Principal

Coloque la Unidad principal (A) en la parte superior del Compartimiento de almacenamiento (C). Asegúrese de que los dos pasadores de inserción de la parte inferior de la Unidad principal (A) se alineen correctamente, de manera que la Unidad principal (A) pueda fijarse bajo la viga del Compartimiento de almacenamiento (C).



# CÓMO FUNCIONA

Antes del primer uso, limpie el interior de la unidad con una esponja, toalla o paño no abrasivos húmedos y entonces séquelo con una toalla seca no abrasiva. Limpie el interior del caldero y asegúrese de que esté correctamente colocado en los soportes antes de comenzar.

1. Primero, encuentre una superficie plana cerca de un tomacorriente eléctrico antes de comenzar. Asegúrese de que el cable esté lejos de una fuente de agua. Es aceptable usar un cable de extensión si es necesario.
2. Reúna sus suministros para palomitas de maíz: palomitas de maíz, condimentos, aceite de cocina, envase para servir, taza medidora de pepitas y cuchara medidora de aceite. (El envase de servir, la taza para medir los granos y el cucharón para medir el aceite se incluyen con la unidad).
3. Enchufe el aparato en el tomacorriente mientras el interruptor se gire a la posición OFF.
4. Asegúrese de que el caldero esté fijado apropiadamente en las abrazaderas de soporte y el motor del caldero esté totalmente conectado a la toma situada en la parte inferior del caldero. El cable del caldero está situado en el techo de la unidad.  
**NOTA:** El caldero no calentará si no se ha insertado totalmente el enchufe.
5. Encienda el aparato al mover el interruptor en la parte superior de la máquina. Permita que el aparato funcione de 3 a 5 minutos para calentar el caldero.
6. Apague la unidad.
7. Utilice el cucharón para medir aceite provisto para añadir 5 cucharadas de su aceite favorito para cocinar palomitas de maíz en el caldero. Para obtener mejores resultados, se sugiere usar aceite de coco.
8. Añada 1 ½ tazas (10 onzas) de palomitas de maíz al caldero con la taza para medición de granos.  
**NOTA:** NO sobrellene o empaque las pepitas en la taza medidora de pepitas ya que esto llenará el caldero. Hacerlo así podría producir más pepitas no explotadas, humo o que las pepitas se quemen.
9. Encienda la unidad y cierre la puerta. En breve escuchará las explosiones. ¡Las palomitas de maíz, frescas y calientes, comenzarán a brotar por las tapas abatibles del caldero!  
**NOTA:** El vapor producido durante el proceso de explotación es normal.
10. Una vez que las pepitas hayan dejado de explotar, apague la unidad e incline el caldero con la perilla roja de la manivela para liberar las palomitas de maíz.  
**NOTA:** No deje que el motor continúe funcionando después de haber explotado las palomitas de maíz.  
**⚠ IMPORTANTE:** Tenga mucho cuidado cuando vacíe las palomitas de maíz. Siempre asegúrese de que la unidad esté en una encimera para que el aceite caliente residual que sale no cause quemaduras.
11. Después de cada lote de palomitas de maíz, verifique y vacíe cualquier pepita no explotada del captador de pepitas.



# CONSEJOS ÚTILES



**NUNCA** deje la unidad sin supervisión mientras está en uso.

## FUMAR

Si el CARRITO PARA PALOMITAS DE MAÍZ comienza a producir humo al cocinar, puede deberse a acumulación de grasa. Con el fin de reducir la producción de humo, asegúrese de limpiar el interior del caldero entre usos.

## PALOMITA DE MAÍZ

El CARRITO PARA PALOMITAS DE MAÍZ está diseñado para todas las marcas premium y regulares de maíz para explotar. El maíz amarillo generalmente explota mejor que el maíz blanco, mientras que algunas marcas de pepitas tienen una cáscara dura y pueden resultar en menos granos explotados. Pruebe marcas diferentes para encontrar la que más le gusta.

Si nota que se están produciendo un montón de pepitas sin explotar, intente añadir más aceite al caldero. Más de aceite puede ayudar a explotar más pepitas.

Siempre utilice palomitas de maíz frescas. Palomitas de maíz secas, rancias o viejas no explotan bien ya que han perdido su contenido de humedad y se pueden quemar. Recomendamos guardar las palomitas de maíz en un recipiente hermético en un lugar fresco.

Ocasionalmente, las palomitas de maíz no explotan. Este suele ser el resultado de factores medioambientales tales como frescura y el contenido de humedad de las palomitas de maíz, o las variaciones del tipo de palomitas de maíz. Las pepitas no explotadas no necesariamente indican un defecto en el aparato.

Al llenar la taza medidora de pepitas, asegúrese de no sobrellenar sobre la línea marcada. El sobrellenado puede producir menos pepitas explotadas y más pepitas no explotadas que salen de la unidad. El sobrellenado puede producir humo y palomitas de maíz quemadas, ya que sobrellenará el caldero.

## CONDIMENTOS

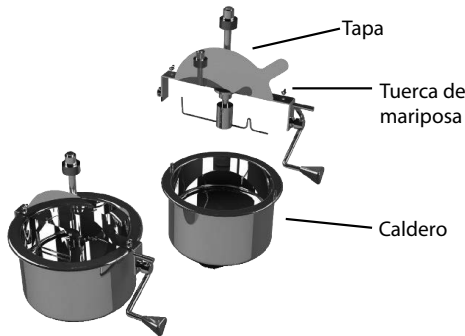
Para obtener más palomitas de maíz con mantequilla o al agregar condimentos, un poco de aceite de oliva, agua o mantequilla permitirá que los condimentos se adhieran mejor a las palomitas de maíz.



**IMPORTANTE:** NO coloque aceite, mantequilla, condimentos, o cualquier cosa aparte de pepitas de palomitas de maíz, en el caldero de palomitas de maíz. El uso de estas sustancias puede ser peligroso y dañar la unidad.

# LIMPIEZA Y MANTENIMIENTO

## CALDERO DE FÁCIL LIMPIEZA



Antes de limpiar, asegúrese de que el aparato esté desenchufado del tomacorriente y que el cable del caldero esté desenchufado del caldero. Deje enfriar la unidad antes de limpiar.

1. Después de haber desenchufado el cable del caldero y se haya enfriado completamente el caldero, retire el caldero de las abrazaderas de soporte y retire el caldero de la unidad principal.
2. Desenrosque las Tuerca de mariposa de la Tapa del Caldero, entonces levante la Tapa del Caldero para limpiarla.
3. Llene el caldero con una pequeña cantidad de agua caliente y jabón.  
**NOTA:** Para evitar que se moje el receptáculo del cable del caldero, **nunca permita que esté cerca de alguna clase de líquido o agua o que entre agua al receptáculo.** Nunca coloque las piezas en el lavavajillas. Siempre lávela a mano.
4. Deje que el caldero se asiente durante 15 a 20 minutos para cortar la grasa. (El tiempo para cortar la grasa puede variar - utilice su propio criterio en función de la cantidad de limpieza necesaria.)
5. Vacíe con cuidado el agua del caldero, teniendo cuidado de que no entre agua en el receptáculo del cable del caldero. Si es necesario, use el estropajo de una esponja de limpieza para fregar dentro del caldero.
6. Enjuague dentro del caldero y seque completamente con un paño no abrasivo. Limpie el exterior del caldero con un paño húmedo y luego séquelos.
7. Utilice una esponja algo húmeda y no abrasiva o un paño para limpiar el interior y el exterior de la unidad principal, así como los dispensadores de condimentos y el envase de servir. Luego limpie con una toalla no abrasiva. Para las manchas persistentes, puede usar un desengrasante cítrico en el panel de las ventanas y puertas.  
**IMPORTANTE: ¡No todos los desengrasantes cítricos son iguales y algunos pueden contener productos químicos que puedan dañar la unidad!** Le recomendamos que pruebe el desengrasante en un lugar pequeño y discreto en la unidad para garantizar que los productos químicos no dañen los paneles.
8. Vuelva la Tapa del Caldero y las Tuerca de mariposa, entonces vuelva a colocar el caldero en los soportes de la unidad principal.

## REEMPLAZAR UNA BOMBILLA

Este carrito de palomitas de maíz usa una bombilla E27, una de las más comunes que se encuentran en los hogares. Para reemplazar una bombilla, sólo tienes que girar la bombilla desde la parte superior del carro en el interior por encima de la tetera y girar en la nueva bombilla.

# RECETAS

El CARRITO PARA PALOMITAS DE MAÍZ hace siempre palomitas de maíz calientes, frescas, iguales que las del teatro, ¡en cualquier momento! Disfrute sus palomitas acabadas de hacer en una variedad formas:

- Palomitas de maíz estilo regular, añada mantequilla y sal.
- Añada una pizca de azúcar y sal a las palomitas para que tengan un sabor dulzón.
- Palomitas condimentadas - añada condimentos de cualquier juego de condimentación para palomitas.
- Pruebe algunas de estas divertidas recetas:

## MONO FORNIDO

- 3.79 L de Maíz Éclaté  
Exploste los granos de maíz con el CARRITO PARA PALOMITAS DE MAÍZ como se indica.
- 1 Bolsa 340g Trozos de Chocolate Semi Dulces  
Derrita los trozos de chocolate y los trozos de crema de cacahuete sobre la estufa, como lo indique el paquete.
- 1 Bolsa 340g Trozos de Crema de Cacahuete  
Forre los moldes para galleta con papel encerado.  
Mezcle las palomitas de maíz con los plátanos fritos.
- Bolsa 119g Plátanos Fritos, Trozados en Pequeñas Piezas  
Distribuya la mezcla de las palomitas y los plátanos fritos uniformemente sobre los moldes para galleta.  
Rocíe la mezcla del chocolate derretido y la crema de cacahuete sobre las palomitas y los plátanos fritos.
- Bolsa 311g Cacahuates  
Espolvoree cacahuates sobre la mezcla de chocolate y crema de cacahuete.  
Deje enfriar.  
Cuando el chocolate y la crema de cacahuete se hayan endurecido, rompa el Mono Fornido en pedazos.  
Puede almacenarse en bolsas de plástico para refrigeración.

## PALOMITAS DE MAÍZ PARMESANAS

- 3.79 L de Maíz Palomero  
Exploste los granos de maíz con el CARRITO PARA PALOMITAS DE MAÍZ como se indica.
- 5 mL Polvo de Ajo  
Combine el polvo de ajo, cebollinas, pimienta molida, sal de grano y queso parmesano. Ponga a un lado.
- 3 Cebollinas, finamente picadas  
En un tazón grande para mezclar, rocíe el aceite de oliva caliente sobre las palomitas de maíz.
- 2½ mL Pimienta Molida  
Revuelva hasta que estén bien cubiertas.
- 5 mL Sal Marina  
Lentamente agregue los ingredientes secos mientras se mezclan continuamente las palomitas hasta que estén bien cubiertas.
- 90 g. de Queso Parmesano, rallado (más o menos al gusto)
- 45 mL Aceite de Oliva, caliente  
También puede sacudir los ingredientes secos sobre las palomitas en una bolsa grande de papel o plástico.

## MUÉGANOS DE PALOMITAS DE MAÍZ TRADICIONALES

- 3.79 L de Palomitas
- 120 mL de Jarabe de Maíz
- 100 g. de Azúcar Granulada
- 2½ mL de Sal
- 1 Barra de Mantequilla, suavizada

Explote los granos de maíz con el CARRITO PARA PALOMITAS DE MAÍZ como se indica.

Mezcle el jarabe de maíz, azúcar y sal juntos en un recipiente y disuelva a fuego medio por aproximadamente 3 minutos.

Agregue las palomitas al recipiente, mezclando y revolviendo consistentemente hasta que las palomitas estén cubiertas a fuego bajo.

Quite del fuego.

Utilice la mantequilla suavizada para formar los muéganos mientras la mezcla de las palomitas todavía esté caliente.

Cubra los muéganos individualmente en papel para envolver, amarre y almacene a temperatura ambiente.

## CORTEZA DE PALOMITAS DE MAÍZ CON MENTA

- 3.79 L de Palomitas de Maíz
- 1 Bolsa 340g Trozos de Chocolate Semi-Dulce o Amargos
- 160 g. de Barras de Menta, Molidas

Explote los granos de maíz con el CARRITO PARA PALOMITAS DE MAÍZ como se indica.

Derrita los trozos de chocolate sobre la estufa, como lo indique el paquete.

Forre el molde para galletas con papel encerado.

Distribuya las palomitas uniformemente sobre el molde para galletas.

Rocíe el chocolate derretido sobre las palomitas de maíz.

Espolvoree las mentas molidas sobre el chocolate.

Deje enfriar.

Cuando el chocolate se haya enfriado, rompa la Corteza de Palomitas de Maíz con Menta en pedazos.

Puede almacenarse en bolsas de plástico para refrigeración.

# DEVOLUCIONES Y GARANTÍA

SI LA UNIDAD NO FUNCIONA O ESTÁ DAÑADA AL SACARLA POR PRIMERA VEZ DE LA CAJA, DEVUÉLVALA AL LUGAR DE COMPRA INMEDIATAMENTE.

## CARRITO PARA PALOMITAS DE MAÍZ / NKPCRT10RD

Si tiene preguntas, contacte con nosotros por correo electrónico o por el número telefónico de servicio al cliente que aparece a continuación en el horario de 8:00 AM a 5:00 PM, de lunes a viernes, Hora Estándar del Este.

### Distribuida por:

Nostalgia Products LLC  
1471 Partnership Dr.  
Green Bay, WI 54304-5685  
Servicio al cliente  
Teléfono: (920) 347-9122  
Web: [www.nostalgiaproducts.com](http://www.nostalgiaproducts.com)

### Solicitud de servicio al cliente

Para enviar una solicitud al Servicio al Cliente, vaya a [www.nostalgiaproducts.com](http://www.nostalgiaproducts.com), llene el formulario de Solicitud de Servicio al Cliente y haga clic en el botón Enviar.

Un representante le contactará tan pronto como sea posible.

### Términos de garantía del producto

Por este medio, Nostalgia Products LLC (la "Compañía") garantiza que por un período de un (1) año a partir de la fecha de compra original, este producto estará sin defectos en cuanto a materiales y mano de obra en uso normal en casa, siempre que el producto se maneje y mantenga de acuerdo con las instrucciones de manejo. Como único y exclusivo remedio en virtud de esta garantía, la Compañía, a su discreción, podrá optar por reparar o sustituir el producto que se encuentre defectuoso, o emitir un reembolso por el producto durante el período de garantía. Esta garantía sólo está disponible para el comprador original minorista del producto a partir de la fecha inicial de compra al por menor, y sólo es válida con el recibo de compra original, y como prueba de la fecha de compra, es necesario obtener los beneficios de la garantía. Todos los reclamos de garantía deben hacerse a la atención de la Compañía dentro del período de garantía y no más tarde que 30 días desde la imposibilidad de realizarlo. Esta garantía no cubre el desgaste normal o daños ocasionados por el embarque, malos manejos, mal uso, accidentes, alteración, piezas de cambio incorrectas, o algo distinto al uso doméstico normal. Es posible que deba devolver el producto (con los gastos de envío pagados por usted) para inspección y evaluación. Los costos de envío no son reembolsables. La empresa no se hace responsable por devoluciones dañadas o perdidas en tránsito. A menos que se indique lo contrario específicamente permitido por las instrucciones de manejo, esta garantía sólo se aplica al uso en interiores de las viviendas. Para realizar una reparación bajo esta garantía, comuníquese con la Compañía mediante el número de teléfono indicado anteriormente o al llenar el formulario de consulta para el servicio de Atención al Cliente en [www.nostalgiaproduct.com](http://www.nostalgiaproduct.com). El período de garantía sólo es válido en EE.UU. y Canadá.

Esta garantía está en lugar de cualquier otra garantía, expresa o implícita, incluso las garantías de comerciabilidad y conveniencia para un propósito en particular, que quedan excluidas en la medida permitida por la ley. En ningún caso la compañía será responsable de cualquier daño indirecto, incidental, consecuente, especial o daños que surjan o estén relacionados con este producto o la utilización del mismo. Algunos estados, provincias o corregimientos no permiten la exclusión o la limitación de daños incidentales o consecuentes, por lo que la exclusión o la limitación anterior quizás no se aplique a usted.

### Esta garantía no se aplica a mercancía reelaborada.

Lea las instrucciones de manejo cuidadosamente. El incumplimiento de las instrucciones de manejo anulará esta garantía.

### Para obtener más información, visítenos en línea en [www.nostalgiaproducts.com](http://www.nostalgiaproducts.com).

Me Gusta en Facebook en [www.facebook.com / NostalgiaElectrics](http://www.facebook.com/NostalgiaElectrics).

Siga nuestros consejos sobre Pinterest en [www.pinterest.com / nostalgialctrx](http://www.pinterest.com/nostalgiaelctrx).

Tweet con nosotros en Twitter en [www.twitter.com / NostalgiaElctrx](http://www.twitter.com/NostalgiaElctrx).

