

NOSTALGIA™

P R O D U C T S



All products are trademarks of Nostalgia Products LLC.
Worldwide design & utility patented or patents pending.
© 2018 Nostalgia Products LLC.

www.nostalgiaproducts.com

(rev. 04/04/18 DL)

NOSTALGIA™



CCP610CKTP

Coca-Cola® Commercial 10 Oz. Tabletop Popcorn Popper **Máquina Comercial de 10 Oz. para palomitas de maíz** **Commerciale de 10 on. Machine pour éclater le maïs**

Instructions and Recipes
Instrucciones y Recetas
Instructions et Recettes

Make every day a party!
Visit www.nostalgiaproducts.com for more fun products.

CONTENTS

SAFETY	2
IMPORTANT SAFEGUARDS	3
ADDITIONAL IMPORTANT SAFEGUARDS	3
INTRODUCTION	4
PARTS & ASSEMBLY	5
HOW TO OPERATE	6
HELPFUL TIPS	7
CLEANING & MAINTENANCE	8
RECIPES	9
RETURNS & WARRANTY	11

SAFETY

Your safety and the safety of others is very important.

We have provided many important safety messages in this manual and on your appliance. Always read and obey all safety messages.



This is the safety alert symbol.

This symbol alerts you to potential hazards that can cause serious injury to you and others.

All safety messages will follow the safety alert symbol.

All safety messages will tell you what the potential hazard is, tell you how to reduce the chance of injury, and tell you what can happen if the instructions are not followed.

Appliance Specifications:

120 Volts, 60 Hertz, 820 Watts

THIS PRODUCT IS FOR USE IN 120V AC OUTLET ONLY.

Refer to www.nostalgiaproducts.com/user-manuals/ for the most updated manual.



IMPORTANT SAFEGUARDS

A person who has not read and understood all operating and safety instructions is not qualified to operate this appliance. All users of this appliance must read and understand this Instruction Manual before operating or cleaning this appliance.

When using electrical appliances, basic safety precautions should always be followed, including:

1. **Read all instructions before operating this appliance.**
2. DO NOT TOUCH the hot surfaces. Use handles or knobs.
3. This appliance is NOT A TOY.
4. Unsupervised young children and cognitively challenged individuals should never operate this appliance.
5. Close supervision is necessary when any appliance is used by or near children.
6. To protect against electrical shock do not immerse cord, plug or any part of this unit in water or other liquids.
7. Unplug from outlet when not in use, before removing parts and before cleaning. Allow to cool before putting on or taking off any parts, and before cleaning.
8. DO NOT operate any appliance with a damaged cord or plug, or after the appliance malfunctions, or if the appliance has been damaged in any manner. Return the appliance to the nearest repair shop for examination, repair or adjustment.
9. The manufacturer does not recommend the use of accessory attachments other than what is provided by the manufacturer. Use of attachments may cause injuries.
10. DO NOT use the appliance for other than its intended use.
11. DO NOT use outdoors. FOR HOUSEHOLD USE ONLY.
12. DO NOT place on or near a hot gas or electric burner, or in a heated oven.
13. DO NOT let cord hang over edge of table or counter, or touch hot surfaces.
14. NEVER leave unit unattended while in use or when plugged into an outlet.
15. Extreme caution must be used when moving an appliance containing hot food.
16. Always attach plug to appliance first, then plug cord in the wall outlet. To disconnect, turn any control to "off," then remove plug from wall outlet.

ADDITIONAL IMPORTANT SAFEGUARDS

Operating Safety Precautions

1. DO NOT touch kettle and keep door of main unit closed while operating. Kettle gets VERY HOT during operation.
2. Ensure the Kettle is properly attached to brackets before operating and that the motor plug is plugged into the Kettle.
3. Check Kettle for presence of foreign objects prior to use.
4. DO NOT place butter, seasonings, or anything other than popcorn kernels and oil into the Kettle. Use of these substances may cause hazards and may damage the unit.
5. DO NOT operate unit without oil as the popcorn kernels may burn or smoke.
6. DO NOT leave Kettle motor running once popping has ceased.

7. Exercise caution when emptying popcorn. Always use Crank Handle to empty popcorn, and make sure the unit is over a countertop so that residual hot oil running out will not cause burns.
8. DO NOT use the appliance for other than its intended use.

Instructions for the Electrical Cord and Plug

1. ELECTRICAL SHOCK HAZARD: Failure to follow these instructions can result in death, fire, or electrical shock.
 - Plug into a grounded 3 prong outlet.
 - DO NOT remove ground prong.
 - DO NOT use an adapter.
 - DO NOT use an extension cord.
2. This unit **MUST** be grounded. In the event of an electrical short circuit, grounding reduces the risk of electric shock by providing an escape wire for the electric current. This unit is equipped with a cord having a grounding wire with a grounding plug. The plug must be plugged into an outlet that is properly installed and grounded.
3. **WARNING:** Improper use of the grounding plug can result in a risk of electric shock. **If the plug does not fit fully into the outlet, contact a qualified electrician. Do not attempt to modify the plug in any way.**
4. A short power supply cord is provided to reduce the risk resulting from becoming entangled or tripping over a long cord.
5. The manufacturer does not recommend using this machine in countries that do not support 120V AC even if a voltage adapter, transformer, or converter is in use.

SAVE THESE INSTRUCTIONS!

INTRODUCTION

With a distinctive vintage look, the COCA-COLA® COMMERCIAL 10 OZ. TABLETOP POPCORN POPPER will be the hit of every party! The 10 oz. kettle pops up to 40 cups of popcorn per batch, and includes oil and kernel measuring cups to ensure a perfectly popped batch every time. With the COCA-COLA® COMMERCIAL 10 OZ. TABLETOP POPCORN POPPER, popcorn has never tasted so good at home!

- Easy-clean 10 oz. stainless steel kettle w/ built-in stirring system & dual-hinged lids
- Pops up to 40 cups of popcorn per batch
- Tilt door for easy access & serving
- Kernel catcher for unpopped kernels
- Tempered glass door & windows
- Lighted interior
- Commercially rated

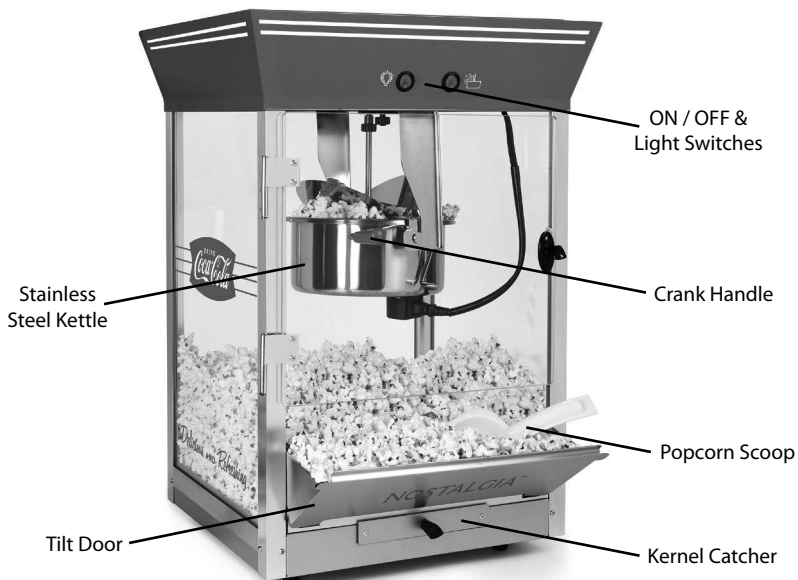
Visit www.nostalgiaproducts.com to find out which kits and accessories are available for this product!

PARTS & ASSEMBLY

ASSEMBLY


Insert the Kettle into the brackets, then plug the kettle motor cord into the outlet located on the bottom side of the kettle. The kettle motor cord is located on the ceiling of the unit.

Then screw in the Crank Handle by tightening in the counter-clockwise direction.



HOW TO OPERATE

Before first use, clean the inside of the unit by wiping with a moist, non-abrasive sponge, towel or cloth and then wipe with a non-abrasive dry towel. Wipe down the inside of the Kettle and be sure it is properly placed in the brackets before starting.

1. First, find a flat surface near an electrical outlet before starting. Make sure your cord is away from any water source. It is acceptable to use an extension cord if needed.
2. Gather your popcorn making supplies: popcorn, seasonings, cooking oil, Serving Bowl, Kernel Measuring Cup and Oil Measuring Spoon. (Kernel Measuring Cup and Oil Measuring Spoon are included with your unit.)
3. Plug the appliance into the wall outlet while switch is flipped to OFF position.
4. Make sure Kettle is properly secured in the support brackets, and kettle motor cord is fully plugged into the outlet located on the bottom side of the kettle. The kettle cord is located on the ceiling of the unit.
NOTE: Kettle will not heat if plug is not fully inserted.
5. Turn appliance ON by flipping the switch on the top of the machine. Allow the appliance to run 3-5 minutes to heat up the Kettle.
6. Turn unit OFF.
7. Use the supplied Oil Measuring Spoon to add 5 scoops (5 tablespoons) of your favorite popcorn cooking oil to the Kettle. For best results, it is suggested to use coconut oil.
8. Add 1½ scoops (10 oz.) of popcorn kernels to the Kettle using the supplied Kernel Measuring Cup.
NOTE: DO NOT overfill or pack kernels into Kernel Measuring Cup as this will crowd the Kettle. Doing so may result in more unpopped kernels and cause kernels to smoke or burn.
9. Turn the unit ON and close the door. In no time at all, you will hear the popping begin. Fresh, hot popcorn will begin to burst out of the flip lids on the Kettle!
NOTE: Steam produced during the popping process is normal.
10. Once the kernels have stopped popping, turn the unit OFF and tip the Kettle using the red knob on the Crank Handle to release the popcorn.
NOTE: Do not allow motor to continue to run after popcorn is done popping.
 **IMPORTANT:** Extreme caution must be used when emptying popcorn. Always make sure the unit is over a countertop so that residual hot oil running out will not cause burns.
11. After each batch of popcorn, check for and empty any unpopped kernels from the Kernel Catcher.

HELPFUL TIPS



NEVER leave the unit unattended while operating.

SMOKING

If your POPCORN POPPER begins to smoke during cooking, it may be due to grease build up. In order to reduce smoking, make sure that you clean the inside of the Kettle between uses.

POPCORN

The POPCORN POPPER is designed for all regular and premium brands of popping corn. Yellow corn generally pops better than white corn, while some brands of kernels have a harder outer shell and may result in fewer popped kernels. Try different brands to find which you like best.

If you notice you are experiencing a lot of unpopped kernels, try adding more oil to the Kettle. More oil may help pop more kernels.

Always use fresh popcorn. Dried out, stale, or old popcorn pops poorly as it has lost its moisture content and may scorch. We recommend storing popcorn in an airtight container in a cool place.

Occasionally popcorn does not pop. This is usually the result of environmental factors such as freshness and moisture content of the popcorn, or variances of popcorn type. Unpopped kernels do not necessarily indicate a defect in the appliance.

When filling the Kernel Measuring Cup, make sure to not fill above the marked line. Underfilling can cause less kernels to pop and more unpopped kernels to come out of the unit. Overfilling can cause popped corn to burn and smoke, as it will overflow the Kettle.

SEASONING

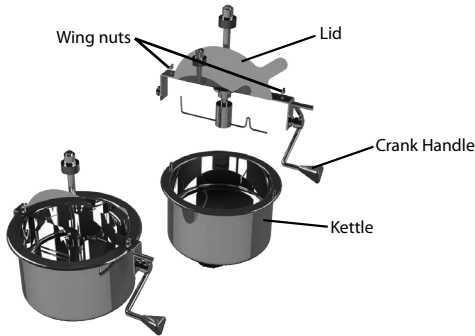
For more buttery popcorn or when adding seasonings, a spritz of olive oil, water or butter will allow the seasonings to better stick to the popcorn.



IMPORTANT: DO NOT place butter, seasonings, or anything other than popcorn kernels into the popcorn Kettle. Use of these substances may cause hazards and may damage the unit.

CLEANING & MAINTENANCE

EASY CLEAN KETTLE



Before cleaning, make sure appliance is unplugged from wall outlet, and the kettle cord is unplugged from the kettle. Allow the unit to cool completely before cleaning.

1. After kettle cord has been unplugged and Kettle has completely cooled, turn Crank Handle clockwise to loosen and remove from Kettle.
2. Remove Kettle from support brackets, and take the Kettle out of the main unit.
3. Remove both Wing Nuts by twisting counter-clockwise, then lift the dual-hinged lid from the Kettle.
4. Fill the Kettle with a small amount of hot, soapy water.
NOTE: To protect the kettle cord receptacle from getting wet, **never allow water or liquid of any kind near or in the kettle cord receptacle.** Never place any parts in the dishwasher. Always wash by hand.
5. Allow the Kettle to sit for 15 to 20 minutes to cut the grease. (Time required to cut grease may vary – use your own judgment depending on the amount of cleaning necessary.)
6. Carefully empty water from the Kettle, taking care to not get water into the kettle cord receptacle. If necessary, use the scrubber side of a cleaning sponge to scrub the inside of the Kettle.
7. Rinse inside of the Kettle carefully and dry with a non-abrasive towel. Wipe the outside of the Kettle with a damp cloth and then dry.
8. Use a slightly damp, non-abrasive sponge, towel or cloth to wipe down the inside and outside of the main unit. Then wipe with a non-abrasive towel to dry. For stubborn soils, a citrus degreaser may be used on the panel windows and door.
IMPORTANT: Not all citrus degreasers are the same and some may contain chemicals that may damage your unit! We recommend testing the degreaser on a small, inconspicuous spot on the unit to ensure the chemicals do not damage your panels.
9. Replace the dual-hinged Lid and Wing Nuts, then place the Kettle back into the brackets of the main unit. Lastly, screw in the Crank Handle, turning counter-clockwise to tighten.

RECIPES

The POPCORN POPPER makes hot, fresh, theater style popcorn anytime! Enjoy your freshly popped corn in a variety of ways:

- Regular theater style popcorn – add butter and salt.
- Add a pinch of sugar and salt to popcorn for a sweet kettle corn taste.
- Flavored popcorn – add seasoning from any gourmet popcorn seasoning kit.
- Try some of these fun recipes!

NOTE: 1 Gallon = 16 Cups

PARMESAN POPCORN

- 1 Gallon Popped Corn Pop corn kernels using the POPCORN POPPER as directed in HOW TO OPERATE section.
- 1 Tsp. Garlic Powder
- 3 Green Onions, finely chopped Combine garlic powder, green onions, cracked pepper, sea salt and parmesan cheese. Set aside.
- ½ Tsp. Cracked Pepper In a large mixing bowl, drizzle hot olive oil over popcorn. Toss until well coated.
- 1 Tsp. Sea Salt
- 1 Cup Parmesan Cheese, grated (more or less to taste) Slowly add in dry ingredients while continuously stirring popcorn until well coated. You may also shake the dry ingredients over popcorn in a large paper or muslin bag.
- 3 Tbsp. Olive Oil, heated

TRADITIONAL POPCORN BALLS

- ½ Cup Unpopped Popcorn Pop corn kernels using the POPCORN POPPER as directed in HOW TO OPERATE section.
- ½ Cup Corn Syrup
- ½ Cup Granulated Sugar Mix corn syrup, sugar and salt together in pot and dissolve over medium heat for about 3 minutes. Add popcorn to pot, stirring and tossing consistently until popcorn is evenly coated at low heat.
- ½ Tsp. Salt
- 1 Stick of Butter, softened Remove from heat. Use softened butter to form balls while popcorn mixture is still warm. Wrap individual balls in plastic wrap, tie and store at room temperature.

CHUNKY MONKEY

- 1 Gallon Popped Corn Pop corn kernels using the POPCORN POPPER as directed in HOW TO OPERATE section.
 - 1 (12-oz.) Bag Semi-Sweet Chocolate Chips Melt chocolate chips and peanut butter morsels over stove, as packaging recommends.
 - 1 (12-oz.) Bag Peanut Butter Morsels Line cookie sheet with wax paper.
 - 1 (4.2-oz.) Bag Banana Chips, broken into small pieces Toss together popcorn and banana chips.
 - 1 (11-oz.) Bag Peanuts Spread popcorn and banana chip mixture evenly over cookie sheet.
- Drizzle melted chocolate and peanut butter mixture over popcorn and banana chips.
- Sprinkle peanuts over chocolate and peanut butter mixture.
- Allow to cool.
- When chocolate and peanut butter has hardened, break up the Chunky Monkey into pieces.
- Can be stored in plastic freezer bags.

POPCORN PEPPERMINT BARK

- 1 Gallon Popped Corn Pop corn kernels using the POPCORN POPPER as directed in HOW TO OPERATE section.
 - 1 (12-oz.) Bag Semi-Sweet or Dark Chocolate Chips Melt chocolate chips over stove, as packaging recommends.
 - 1¼ Cup Peppermint Sticks, crushed Line cookie sheet with wax paper.
- Spread popcorn evenly over cookie sheet.
- Drizzle melted chocolate over popcorn.
- Sprinkle crushed peppermints over chocolate.
- Allow to cool.
- When chocolate has hardened, break up Popcorn Peppermint Bark into pieces.
- Can be stored in plastic freezer bags.

RETURNS & WARRANTY

SHOULD YOUR UNIT NOT WORK OR IF DAMAGED WHEN YOU FIRST TAKE IT OUT OF THE BOX, PLEASE RETURN IT TO THE PLACE OF PURCHASE IMMEDIATELY.

COCA-COLA® COMMERCIAL 8.0 OZ. POPCORN POPPER / CCP610CKTP

Should you have any questions, please contact us via email or at the customer service number listed below between the hours of 8:00 AM and 5:00 PM, Monday through Friday, Central Standard Time.

Distributed by:

Nostalgia Products LLC
1471 Partnership Dr.
Green Bay, WI 54304-5685
Customer Service
Phone: (920) 347-9122
Web: www.nostalgiaproducts.com

Customer Service Inquiry

To submit a Customer Service inquiry, go to www.nostalgiaproducts.com and fill out the Customer Service Inquiry form and click the Submit button.

A representative will contact you as soon as possible.

Product Warranty Terms

Nostalgia Products LLC (the "Company") hereby warrants that for a period of one (1) year from the date of original purchase, this product will be free of defects in material and workmanship under normal home use, provided that the product is operated and maintained in accordance with the operating instructions. As the sole and exclusive remedy under this warranty, the Company will at its discretion either repair or replace the product found to be defective, or issue a refund on the product during the warranty period. This warranty is only available to the original retail purchaser of the product from the date of initial retail purchase, and is only valid with the original sales receipt, as proof of purchase date is required to obtain warranty benefits. All warranty claims must be brought to the attention of the Company within the warranty period and no later than 30 days of the failure to perform. This warranty does not cover normal wear or damage caused by shipping, mishandling, misuse, accident, alteration, improper replacement parts, or other than ordinary household use. You may be required to return the product (with shipping prepaid by you) for inspection and evaluation. Return shipping costs are not refundable. The Company is not responsible for returns damaged or lost in transit. Unless otherwise specifically permitted by the operating instructions, this warranty applies to indoor household use only. In order to obtain service under this warranty, please contact the Company at the telephone number listed above or by filling out the Customer Service Inquiry Form located at www.nostalgiaproducts.com. Warranty valid only in USA and Canada.

This warranty is in lieu of all other warranties, expressed or implied, including warranties of merchantability and fitness for a particular purpose, which are hereby excluded to the extent permitted by law. In no event shall the Company be liable for any indirect, incidental, consequential, or special damages arising out of or in connection with this product or the use thereof. Some states, provinces or jurisdictions do not permit the exclusion or limitation of incidental or consequential damages, so the foregoing exclusion or limitation may not apply to you.

This warranty does not apply to re-manufactured merchandise.

Please read the operating instructions carefully. Failure to comply with the operating instructions will void this warranty.

For more information, visit us online at www.nostalgiaproducts.com.

Like us on Facebook at www.facebook.com/NostalgiaElectrics.

Follow our boards on Pinterest at www.pinterest.com/nostalgielectrx.

Tweet along with us on Twitter at www.twitter.com/NostalgiaElctrx.

¡Convierta todos los días en una fietsa!
Visite **www.nostalgiaproducts.com** para
ver más productos divertidos.

CONTENIDO

SEGURIDAD	11
SALVAGUARDIAS IMPORTANTES.	12
SALVAGUARDIAS IMPORTANTES ADICIONALES	12
INTRODUCCIÓN	13
PIEZAS Y ENSAMBLE	14
CÓMO UTILIZAR	15
CONSEJOS ÚTILES.	16
LIMPIEZA Y MANTENIMIENTO	16
RECETAS	17
DEVOLUCIONES Y GARANTÍA.	19

SÉCURITÉ

Su seguridad y la de otras personas es muy importante.

Hemos proporcionado numerosos mensajes de seguridad importantes en este manual y en su electrodoméstico. Siempre lea y obedezca todos los mensajes de seguridad.



Este es el símbolo de alerta de seguridad.

Este símbolo le avisa de los peligros potenciales que pueden matar o herir a otros.

Todos los mensajes de seguridad estarán precedidos por el símbolo de alerta.

Todos los mensajes de seguridad le dirán de qué peligro potencial se trata, cómo reducir la posibilidad de lesiones y qué puede ocurrir si no se obedecen las instrucciones.

Especificaciones del Electrodoméstico:

120 Volts, 60 Hertz, 820 Watts

ESTE PRODUCTO SÓLO DEBE USARSE CON UN TOMACORRIENTE DE 120V AC.

Visite **www.nostalgiaproducts.com/user-manuals/** para ver el manual más actualizado.



SALVAGUARDIAS IMPORTANTES

Una persona que no haya leído y comprendido todas las instrucciones de uso y seguridad no está calificada para utilizar este aparato. Todos los usuarios de este dispositivo deben leer y comprender este Manual de instrucciones antes de utilizar o limpiar este aparato.

Cuando utiliza aparatos eléctricos, siempre se deben seguir algunas medidas básicas de seguridad que incluyen las siguientes:

1. **Lea todas las instrucciones antes de utilizar este aparato.**
2. NO TOQUE las superficies calientes. Use agarraderas o mangos.
3. Este aparato NO ES UN JUGUETE.
4. Los niños pequeños sin supervisión y las personas con limitación cognitiva nunca deben utilizar este aparato.
5. Una supervisión estricta se requiere cuando un aparato se use por niños o cerca de ellos.
6. Como medida de protección contra el riesgo de descarga eléctrica, no sumerja el cable, los enchufes ni ninguna otra parte de la unidad en agua ni en otros líquidos.
7. Desconéctelo del tomacorriente cuando no esté en uso, antes de retirar piezas y antes de la limpieza. Déjelo enfriar antes de colocar o retirar cualquiera de las piezas, y antes de la limpieza.
8. NO utilice ningún aparato con el cable o el enchufe dañados, ni si el aparato tiene desperfectos o SI se ha dañado de cualquier manera. Devolver el aparato al taller de reparación más cercano para su reparación o ajuste.
9. El fabricante no recomienda el uso de otros aditamentos o accesorios diferentes a los proporcionados por el fabricante. El uso de accesorios puede provocar lesiones.
10. NO utilice el aparato para otros usos que no haya sido diseñado.
11. NO utilice el aparato al aire libre. SOLO PARA USO DOMÉSTICO.
12. NO lo coloque sobre o cerca de una hornilla eléctrica o gas caliente, o en un horno caliente.
13. NO permita que el cable cuelgue sobre el borde de la mesa o del mostrador, ni que toque superficies calientes.
14. NUNCA deje la unidad desatendida mientras esté en uso o cuando esté enchufada a una toma de corriente.
15. Debe ser extremadamente cuidadoso al mover cualquier aparato con comida caliente.
16. Siempre conecte primero el enchufe al aparato, luego enchufe el cable a la toma de corriente. Para desconectar, mueva todos los controles a "apagar" y luego retire el enchufe del tomacorriente.

SALVAGUARDIAS IMPORTANTES ADICIONALES

Precauciones de seguridad operativa

1. NO toque el caldero y mantenga la puerta de la unidad principal cerrada mientras funciona. El caldero se vuelve MUY CALIENTE durante el funcionamiento.
2. Asegúrese de que el caldero esté correctamente conectado a los soportes antes de utilizarlo y que el enchufe del motor esté conectado al caldero.
3. Revise el caldero para ver si tiene objetos extraños antes del uso.
4. NO coloque mantequilla, condimentos, o cualquier cosa aparte de pepitas de palomitas de maíz, en la Cámara de explosiones. El uso de estas sustancias puede ser peligroso y dañar la unidad.

5. NO use la unidad sin aceite ya que las pepitas de palomitas de maíz pueden provocar quemaduras o humo.
6. NO deje el motor del caldero encendido cuando hayan terminado las explosiones.
7. Tenga cuidado al vaciar las palomitas de maíz. Siempre use la manivela para vaciar las palomitas de maíz y asegúrese de que la unidad esté en una encimera para que el aceite caliente residual que sale no cause quemaduras.
8. NO utilice el aparato para otro uso que no sea el cual para el que está destinado.

Instrucciones para el cable eléctrico y el enchufe

1. RIESGO DE DESCARGA ELÉCTRICA: El incumplimiento de estas instrucciones puede resultar en la muerte, incendio o descarga eléctrica.
 - Enchufe en un tomacorrientes de 3 patas con conexión a tierra.
 - NO retire la patilla de conexión de tierra.
 - NO utilice un adaptador.
 - NO utilice un cable de extensión.
2. La unidad DEBE conectarse a tierra. En caso de un corto circuito, la conexión a tierra reduce el riesgo de descarga eléctrica al proporcionar un cable de escape para la corriente eléctrica. Esta unidad está provista de un cable que tiene un cable a tierra con un enchufe a tierra. Se debe enchufar en un tomacorriente de pared instalado apropiadamente y conectado a tierra.
3. ADVERTENCIA: El uso incorrecto de la toma de tierra puede resultar en riesgo de sufrir una descarga eléctrica. **Si el enchufe no entra completo en el tomacorriente, contacte a un electricista calificado. No trate de modificar el enchufe de ninguna manera.**
4. Se provee un cable de alimentación corto para reducir el riesgo resultante de enredarse o tropezar con un cable largo.

El fabricante no recomienda el uso de esta máquina en países que no admiten 120V CA incluso si se está usando un adaptador, transformador o convertidor de voltaje.

¡GUARDE ESTAS INSTRUCCIONES!

INTRODUCCIÓN

¡Con un distintivo aspecto antiguo, la MÁQUINA COMERCIAL DE 10 OZ. PARA PALOMITAS DE MAÍZ será el éxito de cualquier fiesta! El caldero de 10 oz. prepara hasta 40 tazas de palomitas de maíz por lote, e incluye tazas para la medición de aceite y semillas para asegurar un lote perfectamente preparado cada vez. ¡Con la MÁQUINA COMERCIAL DE 10 OZ. PARA PALOMITAS DE MAÍZ, las palomitas de maíz nunca han sabido tan bien en casa!

Características:

- Caldero de acero inoxidable de 8 onzas fácil de limpiar con sistema incorporado de mezclado y tapas con bisagra doble
- Prepara 40 tazas de palomitas de maíz por lote
- Puerta inclinada para acceder y servir con facilidad
- Bandeja de recolección de semillas para las semillas que no se abrieron
- Puerta y ventanas de vidrio templado
- Interior iluminado
- Grado comercial

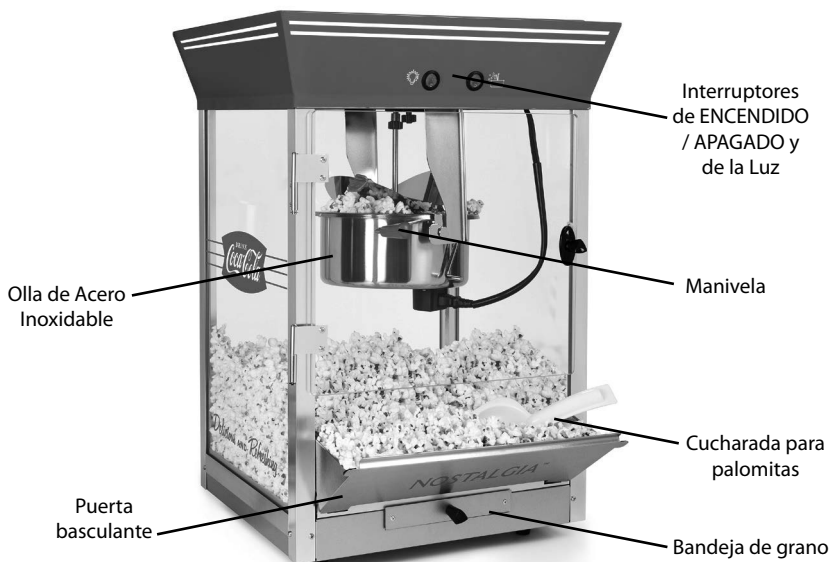
¡Visite www.nostalgiaproducts.com para averiguar qué paquetes y accesorios están disponibles para este producto!

PIEZAS Y ENSAMBLAJE

ENSAMBLAJE

Inserte el caldero en las abrazaderas, luego enchufe el cable del motor del caldero en el tomacorriente situado en la parte inferior de la caldera. El cable del motor del caldero está situado en el techo de la unidad.

Luego, enrosque la manivela, al apretar en sentido antihorario.



CÓMO FUNCIONA

Antes del primer uso, limpie el interior de la unidad con una esponja, toalla o paño no abrasivos húmedos y entonces séquelo con una toalla seca no abrasiva. Limpie el interior del caldero y asegúrese de que esté correctamente colocado en los soportes antes de comenzar.

1. Primero, encuentre una superficie plana cerca de un tomacorriente eléctrico antes de comenzar. Asegúrese de que el cable esté lejos de una fuente de agua. Es aceptable usar un cable de extensión si es necesario.
2. Reúna sus suministros para palomitas de maíz: palomitas de maíz, condimentos, aceite de cocina, envase para servir, taza medidora de pepitas y cuchara medidora de aceite. (La taza para medir los granos y el cucharón para medir el aceite se incluyen con la unidad).
3. Enchufe el aparato en el tomacorriente mientras el interruptor se gire a la posición OFF.
4. Asegúrese de que el caldero esté fijado apropiadamente en las abrazaderas de soporte y el motor del caldero esté totalmente conectado a la toma situada en la parte inferior del caldero. El cable del caldero está situado en el techo de la unidad.
NOTA: El caldero no calentará si no se ha insertado totalmente el enchufe.
5. Encienda el aparato al mover el interruptor en la parte superior de la máquina. Permita que el aparato funcione de 3 a 5 minutos para calentar el caldero.
6. Apague la unidad.
7. Utilice el cucharón para medir aceite provisto para añadir 5 cucharadas de su aceite favorito para cocinar palomitas de maíz en el caldero. Para obtener mejores resultados, se sugiere usar aceite de coco.
8. Añada 1½ cucharones (10 onzas) de palomitas de maíz al caldero con la Taza Medidora de Granos.
NOTA: NO sobrellene o empaque las pepitas en la taza medidora de pepitas ya que esto llenará el caldero. Hacerlo así podría producir más pepitas no explotadas, humo o que las pepitas se quemen.
9. Encienda la unidad y cierre la puerta. En breve escuchará las explosiones. ¡Las palomitas de maíz, frescas y calientes, comenzarán a brotar por las tapas abatibles del caldero!
NOTA: El vapor producido durante el proceso de explotación es normal.
10. Una vez que las pepitas hayan dejado de explotar, apague la unidad e incline el caldero con la perilla roja de la manivela para liberar las palomitas de maíz.
NOTA: No deje que el motor continúe funcionando después de haber explotado las palomitas de maíz.
⚠ IMPORTANTE: Tenga mucho cuidado cuando vacíe las palomitas de maíz. Siempre asegúrese de que la unidad esté en una encimera para que el aceite caliente residual que sale no cause quemaduras.
11. Después de cada lote de palomitas de maíz, verifique y vacíe cualquier pepita no explotada del captador de pepitas.

CONSEJOS ÚTILES



NUNCA deje la unidad sin supervisión mientras está en uso.

FUMAR

Si el MÁQUINA COMERCIAL DE 10 OZ. PARA PALOMITAS DE MAÍZ comienza a producir humo al cocinar, puede deberse a acumulación de grasa. Con el fin de reducir la producción de humo, asegúrese de limpiar el interior del caldero entre usos.

PALOMITA DE MAÍZ

El MÁQUINA COMERCIAL DE 10 OZ. PARA PALOMITAS DE MAÍZ está diseñado para todas las marcas premium y regulares de maíz para explotar. El maíz amarillo generalmente explota mejor que el maíz blanco, mientras que algunas marcas de pepitas tienen una cáscara dura y pueden resultar en menos granos explotados. Pruebe marcas diferentes para encontrar la que más le gusta.

Si nota que se están produciendo un montón de pepitas sin explotar, intente añadir más aceite al caldero. Más de aceite puede ayudar a explotar más pepitas.

Siempre utilice palomitas de maíz frescas. Palomitas de maíz secas, rancias o viejas no explotan bien ya que han perdido su contenido de humedad y se pueden quemar. Recomendamos guardar las palomitas de maíz en un recipiente hermético en un lugar fresco.

Ocasionalmente, las palomitas de maíz no explotan. Este suele ser el resultado de factores medioambientales tales como frescura y el contenido de humedad de las palomitas de maíz, o las variaciones del tipo de palomitas de maíz. Las pepitas no explotadas no necesariamente indican un defecto en el aparato.

Al llenar la taza medidora de pepitas, asegúrese de no sobrellenar sobre la línea marcada. El sobrellenado puede producir menos pepitas explotadas y más pepitas no explotadas que salen de la unidad. El sobrellenado puede producir humo y palomitas de maíz quemadas, ya que sobrellenará el caldero.

CONDIMENTOS

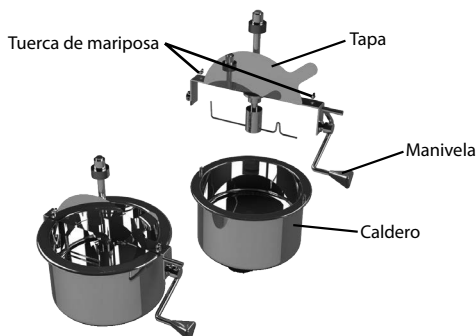
Para obtener más palomitas de maíz con mantequilla o al agregar condimentos, un poco de aceite de oliva, agua o mantequilla permitirá que los condimentos se adhieran mejor a las palomitas de maíz.



IMPORTANTE: NO coloque aceite, mantequilla, condimentos, o cualquier cosa aparte de pepitas de palomitas de maíz, en el caldero de palomitas de maíz. El uso de estas sustancias puede ser peligroso y dañar la unidad.

LIMPIEZA Y MANTENIMIENTO

CALDERO DE FACIL LIMPIEZA



Antes de limpiar, asegúrese de que el aparato esté desenchufado del tomacorriente y que el cable del caldero esté desenchufado del caldero. Deje enfriar la unidad antes de limpiar.

1. Después de haber desenchufado el el cable del caldero y se haya enfriado completamente el caldero, gire la manivela en sentido horario para aflojar y retirarlo del caldero.
2. Retire el caldero de las abrazaderas de soporte y retire el caldero de la unidad principal.
3. Desenrosque las Tuercas de mariposa de la Tapa del Caldero, entonces levante la Tapa del Caldero para limpiarla.
4. Llene el caldero con una pequeña cantidad de agua caliente y jabón.
NOTA: Para evitar que se moje el receptáculo del cable del caldero, **nunca permita que esté cerca de alguna clase de líquido o agua o que entre agua al receptáculo.** Nunca coloque las piezas en el lavavajillas. Siempre lávela a mano.
5. Deje que el caldero se asiente durante 15 a 20 minutos para cortar la grasa. (El tiempo para cortar la grasa puede variar - utilice su propio criterio en función de la cantidad de limpieza necesaria.)
6. Vacíe con cuidado el agua del caldero, teniendo cuidado de que no entre agua en el receptáculo del cable del caldero. Si es necesario, use el estropajo de una esponja de limpieza para fregar dentro del caldero.
7. Enjuague dentro del caldero y seque completamente con un paño no abrasivo. Limpie el exterior del caldero con un paño húmedo y luego séquelo.
8. Utilice una esponja algo húmeda y no abrasiva o un paño para limpiar el interior y el exterior de la unidad principal, así como los dispensadores de condimentos y el envase de servir. Luego limpie con una toalla no abrasiva. Para las manchas persistentes, puede usar un desengrasante cítrico en el panel de las ventanas y puertas.
IMPORTANTE: ¡No todos los desengrasantes cítricos son iguales y algunos pueden contener productos químicos que puedan dañar la unidad! Le recomendamos que pruebe el desengrasante en un lugar pequeño y discreto en la unidad para garantizar que los productos químicos no dañen los paneles.
9. Vuelva la Tapa del Caldero y las Tuercas de mariposa, entonces vuelva a colocar el caldero en los soportes de la unidad principal. Reemplace la manivela, al girar en sentido antihorario para apretar.

RECETAS

¡La MÁQUINA COMERCIAL DE 10 OZ. PARA PALOMITAS DE MAÍZ hace palomitas de maíz calientes y frescas como en el cine en cualquier momento! Disfrute de sus palomitas recién tostadas en una variedad de formas:

- Típicas palomitas de maíz como en el cine, - agregue mantequilla y sal.
- Agregue a las palomitas de maíz una pizca de azúcar o sal para obtener un sabor dulce o salado.
- Palomitas de maíz saborizadas – colóquelas agregadas de cualquier kit de agregados para palomitas de maíz.

PALOMITAS DE MAÍZ PARMESANAS

- 4 L de Maíz Palomero Explote los granos de maíz con el MÁQUINA COMERCIAL DE 10 OZ. PARA PALOMITAS DE MAÍZ como se indica.
- 5 mL Polvo de Ajo
- 3 Cebollinas, Combine el polvo de ajo, cebollinas, pimienta molida, Finamente Picadas sal de grano y queso parmesano. Ponga a un lado.
- 2½ mL Pimienta En un tazón grande para mezclar, rocíe el aceite Molida de oliva caliente sobre las palomitas de maíz.
- 5 mL Sal Marina Revuelva hasta que estén bien cubiertas.
- 90 g. de Queso Lentamente agregue los ingredientes secos Parmesano, mientras se mezclan continuamente las Rallado (más o palomitas hasta que estén bien cubiertas. menos al gusto)
- 45 mL Aceite de También puede sacudir los ingredientes secos sobre las Oliva, Caliente palomitas en una bolsa grande de papel o plástico.

MUÉGANOS DE PALOMITAS DE MAÍZ TRADICIONALES

- 70 g. de Palomitas Explote los granos de maíz con el MÁQUINA COMERCIAL DE 10 OZ. PARA PALOMITAS DE MAÍZ como se indica.
 - 120 mL de Jarabe Mezcle el jarabe de maíz, azúcar y sal juntos de Maíz en un recipiente y disuelva a fuego medio por aproximadamente 3 minutos.
 - 100 g. de Azúcar Agregue las palomitas al recipiente, mezclando Granulada y revolviendo consistentemente hasta que las palomitas estén cubiertas a fuego bajo.
 - 2½ mL de Sal Quite del fuego.
 - 1 Barra de Utilice la mantequilla suavizada para formar los muérganos Mantequilla, mientras la mezcla de las palomitas todavía esté caliente. Suavizada
- Cubra los muérganos individualmente en papel para envolver, amarre y almacene a temperatura ambiente.

MONO FORNIDO

- 4 L de Palomitas de Maíz
Explote los granos de maíz con el MÁQUINA COMERCIAL DE 10 OZ. PARA PALOMITAS DE MAÍZ como se indica.
- 1 Bolsa 336 g. Trozos de Chocolate Semi Dulces
Derrita los trozos de chocolate y los trozos de crema de cacahuete sobre la estufa, como lo indique el paquete.
- 1 Bolsa 336 g. Trozos de Crema de Cacahuete
Forre los moldes para galleta con papel encerado.
Mezcle las palomitas de maíz con los plátanos fritos.
- Bolsa 113 g. Plátanos Fritos, Trozados en Pequeñas Piezas
Distribuya la mezcla de las palomitas y los plátanos fritos uniformemente sobre los moldes para galleta.
- Bolsa 308 g. Cacahuates
Rocíe la mezcla del chocolate derretido y la crema de cacahuete sobre las palomitas y los plátanos fritos.
Espolvoree cacahuates sobre la mezcla de chocolate y crema de cacahuete.
Deje enfriar.
Cuando el chocolate y la crema de cacahuete se hayan endurecido, rompa el Mono Fornido en pedazos.
Puede almacenarse en bolsas de plástico para refrigeración.

CORTEZA DE PALOMITAS DE MAÍZ CON MENTA

- 4 L de Palomitas de Maíz
Explote los granos de maíz con el MÁQUINA COMERCIAL DE 10 OZ. PARA PALOMITAS DE MAÍZ como se indica.
- 1 Bolsa 336 g. Trozos de Chocolate Semi-Dulce o Amargos
Derrita los trozos de chocolate sobre la estufa, como lo indique el paquete.
- 150 g. de Barras de Menta, Molidas
Forre el molde para galletas con papel encerado.
Distribuya las palomitas uniformemente sobre el molde para galletas.
Rocíe el chocolate derretido sobre las palomitas de maíz.
Espolvoree las mentas molidas sobre el chocolate.
Deje enfriar.
Cuando el chocolate se haya enfriado, rompa la Corteza de Palomitas de Maíz con Menta en pedazos.
Puede almacenarse en bolsas de plástico para refrigeración.

DEVOLUCIONES Y GARANTÍA

SI LA UNIDAD NO FUNCIONA O ESTÁ DAÑADA AL SACARLA POR PRIMERA VEZ DE LA CAJA, DEVUÉLVALA AL LUGAR DE COMPRA INMEDIATAMENTE.

MAQUINA COMERCIAL DE 10 OZ. PARA PALOMITAS DE MAÍZ / CCP610CKTP

Si tiene preguntas, contacte con nosotros por correo electrónico o por el número telefónico de servicio al cliente que aparece a continuación en el horario de 8:00 AM a 5:00 PM, de lunes a viernes, Hora Estándar del Este.

Distribuida por:

Nostalgia Products LLC
1471 Partnership Dr.
Green Bay, WI 54304-5685
Servicio al cliente
Teléfono: (920) 347-9122
Web: www.nostalgiaproducts.com

Solicitud de servicio al cliente

Para enviar una solicitud al Servicio al Cliente, vaya a www.nostalgiaproducts.com, llene el formulario de Solicitud de Servicio al Cliente y haga clic en el botón Enviar.

Un representante le contactará tan pronto como sea posible.

Términos de garantía del producto

Por este medio, Nostalgia Products LLC (la "Compañía") garantiza que por un período de un (1) año a partir de la fecha de compra original, este producto estará sin defectos en cuanto a materiales y mano de obra en uso normal en casa, siempre que el producto se maneje y mantenga de acuerdo con las instrucciones de manejo. Como único y exclusivo remedio en virtud de esta garantía, la Compañía, a su discreción, podrá optar por reparar o sustituir el producto que se encuentre defectuoso, o emitir un reembolso por el producto durante el período de garantía. Esta garantía sólo está disponible para el comprador original minorista del producto a partir de la fecha inicial de compra al por menor, y sólo es válida con el recibo de compra original, y como prueba de la fecha de compra, es necesario obtener los beneficios de la garantía. Todos los reclamos de garantía deben hacerse a la atención de la Compañía dentro del período de garantía y no más tarde que 30 días desde la imposibilidad de realizarlo. Esta garantía no cubre el desgaste normal o daños ocasionados por el embarque, malos manejos, mal uso, accidentes, alteración, piezas de cambio incorrectas, o algo distinto al uso doméstico normal. Es posible que deba devolver el producto (con los gastos de envío pagados por usted) para inspección y evaluación. Los costos de envío no son reembolsables. La empresa no se hace responsable por devoluciones dañadas o perdidas en tránsito. A menos que se indique lo contrario específicamente permitido por las instrucciones de manejo, esta garantía sólo se aplica al uso en interiores de las viviendas. Para realizar una reparación bajo esta garantía, comuníquese con la Compañía mediante el número de teléfono indicado anteriormente o al llenar el formulario de consulta para el servicio de Atención al Cliente en www.nostalgiaproduct.com. El período de garantía sólo es válido en EE.UU. y Canadá.

Esta garantía está en lugar de cualquier otra garantía, expresa o implícita, incluso las garantías de comerciabilidad y conveniencia para un propósito en particular, que quedan excluidas en la medida permitida por la ley. En ningún caso la compañía será responsable de cualquier daño indirecto, incidental, consecuente, especial o daños que surjan o estén relacionados con este producto o la utilización del mismo. Algunos estados, provincias o corregimientos no permiten la exclusión o la limitación de daños incidentales o consecuentes, por lo que la exclusión o la limitación anterior quizás no se aplique a usted.

Esta garantía no se aplica a mercancía reelaborada.

Lea las instrucciones de manejo cuidadosamente. El incumplimiento de las instrucciones de manejo anulará esta garantía.

Para obtener más información, visítenos en línea en www.nostalgiaproducts.com.

Me Gusta en Facebook en www.facebook.com/NostalgiaElectrics.

Siga nuestros consejos sobre Pinterest en www.pinterest.com/nostalgiaelctrx.

Tweet con nosotros en Twitter en www.twitter.com/NostalgiaElctrx.

Faire une fête tous les jours!
Visiter le site Web **www.nostalgiaproducts.com** pour d'autres produits agréables.

TABLE DES MATIÈRES

SÉCURITÉ	20
PRÉCAUTIONS IMPORTANTES	21
PRÉCAUTIONS IMPORTANTES ADDITIONNEL	21
INTRODUCTION	22
PIÈCES ET ASSEMBLAGE	23
COMMENT FAIRE FONCTIONNER	24
CONSEILS UTILES	25
NETTOYAGE ET ENTRETIEN	25
RECETTES	26
RETOURS ET GARANTIE	28

SÉCURITÉ

Votre sécurité tout comme celle des autres est primordiale.

Ce manuel renferme plusieurs avis importants sur la sécurité lors de l'utilisation de votre appareil. Lire le manuel et conformez-vous aux avis contre-indiqués.



Ceci représente le symbole d'avertissement pour votre sécurité.

Ce symbole vous signale les dangers potentiels qui peuvent blessures graves à vous et à d'autres.

Ce symbole d'alerte à la sécurité suivra tous les avis relatifs à la sécurité.

Tous les avis sécuritaires indiqueront le danger potentiel exact, la façon dont vous pouvez réduire vos chances de blessure et vous indiquerons les conséquences potentielles si vous ne suivez pas ces instructions à la lettre.

Spécifications des Appareils:

120 Volts, 60 Hertz, 820 Watts

CE PRODUIT EST UTILISÉ DANS SORTIE ÉLECTRIQUE DE 120V AC SEULEMENT.

Reportez-vous à **www.nostalgiaproducts.com/user-manuals/** pour la version la plus récente.



PRÉCAUTIONS IMPORTANTES

Une personne n'ayant pas lu et compris toutes les instructions de fonctionnement et de sécurité n'est pas qualifiée pour faire fonctionner cet appareil. Tous les utilisateurs de cet appareil doivent lire et comprendre ce mode d'emploi avant d'utiliser ou de nettoyer cet appareil.

Lorsque l'on utilise un appareil électrique, il faut toujours respecter des précautions de base, y compris celles-ci :

1. **Lisez toutes les instructions avant d'utiliser cet appareil.**
2. NE PAS TOUCHER les surfaces chaudes. Utiliser les poignées ou les boutons.
3. Cet appareil n'est PAS UN JOUET.
4. Les jeunes enfants non supervisés et les individus ayant une déficience cognitive ne devraient jamais faire fonctionner cet appareil.
5. Une surveillance étroite est nécessaire lorsqu'un appareil est utilisé par ou à proximité d'enfants.
6. Pour protéger contre les chocs électriques ne pas submerger le cordon, la fiche ou aucune pièce de cet appareil dans l'eau ou d'autres liquides.
7. Débranchez l'appareil lorsqu'il ne sert pas, avant de retirer des pièces et avant le nettoyage. Laisser refroidir avant de mettre ou d'enlever des pièces et avant le nettoyage.
8. NE PAS utiliser un appareil avec un cordon ou une fiche électrique endommagés ou après un mauvais fonctionnement de l'appareil ou s'il a été endommagé d'une manière quelconque. Retournez l'appareil à l'atelier de réparation le plus proche pour un examen, réparation ou réglage.
9. Le fabricant ne recommande pas l'utilisation d'accessoires autres que ce qui est prévu par le fabricant. L'utilisation d'accessoires peut causer des blessures.
10. NE PAS utiliser cet appareil pour toute autre utilisation pour laquelle il n'a pas été conçu.
11. N'utilisez PAS l'appareil à l'extérieur. POUR UN USAGE DOMESTIQUE UNIQUEMENT.
12. NE PAS placer sur ou près d'un brûleur à gaz ou électrique ou dans un four chauffé. 1. NE PAS mettre en lave-vaisselle.
13. NE laissez PAS le cordon pendre sur le bord de la table ou du comptoir, ni toucher les surfaces chaudes.
14. NE laissez JAMAIS l'unité sans surveillance lorsqu'il est en service ou une fois branché à une prise électrique.
15. Une extrême prudence doit être utilisée pour déplacer un appareil contenant des liquides chauds.
16. Toujours brancher l'appareil en premier, puis brancher le cordon dans la prise murale. Pour débrancher l'appareil, mettre tous les boutons à la position « arrêt », puis débrancher la fiche de la prise murale.

PRÉCAUTIONS IMPORTANTES ADDITIONNEL

Mesures de sécurité pour le fonctionnement

1. NE PAS toucher à la marmite et gardez la porte de l'appareil fermée durant le fonctionnement. La marmite deviendra TRÈS CHAUDE durant le fonctionnement.
2. Assurez-vous que la marmite est bien attachée aux supports avant de la mettre en marche et que le moteur est branché à la marmite.
3. Vérifiez en cas d'objets étrangers dans la marmite avant de l'utiliser.
4. NE PAS mettre du beurre, des assaisonnements ou autres que des grains de maïs et de l'huile dans la marmite. L'utilisation de toutes autres

substances peut causer des dangers et peut endommager l'appareil.

5. NE PAS faire fonctionner la machine sans l'huile car les grains de maïs pourraient brûler voire fumer.
6. NE PAS laisser le moteur de la marmite fonctionner une fois que le maïs a cessé d'éclater.
7. Soyez prudent lorsque vous videz le maïs éclaté. Toujours utiliser la manivelle pour vider le maïs éclaté et assurez-vous que l'appareil est au-dessus d'un comptoir afin que l'huile chaude résiduelle s'écoulant ne brûle rien.
8. N'employez PAS l'appareil pour une autre utilisation que celle pour laquelle elle a été conçue.

Instructions pour le cordon électrique et la prise

1. RISQUE DE DÉCHARGE ÉLECTRIQUE : Ne pas suivre ces instructions peut entraîner la mort, un incendie ou une électrocution.
 - Branchez dans une prise à 3 fiches.
 - NE retirez PAS la fiche de la mise à la terre.
 - N'utilisez PAS d'adaptateur.
 - N'utilisez PAS une rallonge.
2. Cet appareil DOIT être mis à la terre. Dans le cas d'un court-circuit électrique, la mise à la terre réduit le risque de choc électrique en offrant un fil d'échappement pour le courant électrique. Cet appareil est équipé d'un cordon muni d'un fil de mise à la terre avec une fiche de mise à la terre. La fiche doit être branchée sur une prise correctement installée et mise à la terre.
3. AVERTISSEMENT : Une mauvaise utilisation de la prise de mise à la terre peut entraîner un risque d'électrocution. **Si la fiche n'entre pas complètement dans la prise, contactez un électricien qualifié. Ne pas tenter de modifier la fiche de quelque façon que ce soit.**
4. Un court cordon d'alimentation est fourni pour réduire les risques d'enchevêtrement ou risques de trébucher sur un cordon plus long.
5. Le fabricant ne recommande pas l'utilisation de cette machine dans les pays qui ne supportent pas les tensions de 120V AC, même si un adaptateur de tension, un transformateur ou un convertisseur est utilisé.

CONSERVEZ CES INSTRUCTIONS !

INTRODUCTION

Ayant une allure rétro, la MACHINE COMMERCIALE DE 10 ON. Cette machine à maïs éclaté classique fera le succès de toutes les fêtes ! La marmite de 8,0 on peut éclater jusqu'à 40 tasses de maïs par lot et inclut l'huile et la tasse à mesurer pour grains de maïs afin que chaque lot de grains soit parfaitement éclaté. Avec la machine MACHINE COMMERCIALE DE 10 ON, le maïs soufflé n'aura jamais goûté aussi bon à la maison !

Caractéristiques :

- Marmite en acier inoxydable de 10 on. facile à nettoyer munie d'un système intégré de brassage et un double couvercle.
- Fait éclater jusqu'à 40 tasses de grains de maïs par lot
- Inclinez la porte pour un accès et un service facile
- Ramasse grains de maïs non éclatés
- Porte et fenêtres en verre trempé
- Intérieur illuminé
- Coté d'une équivalence commerciale

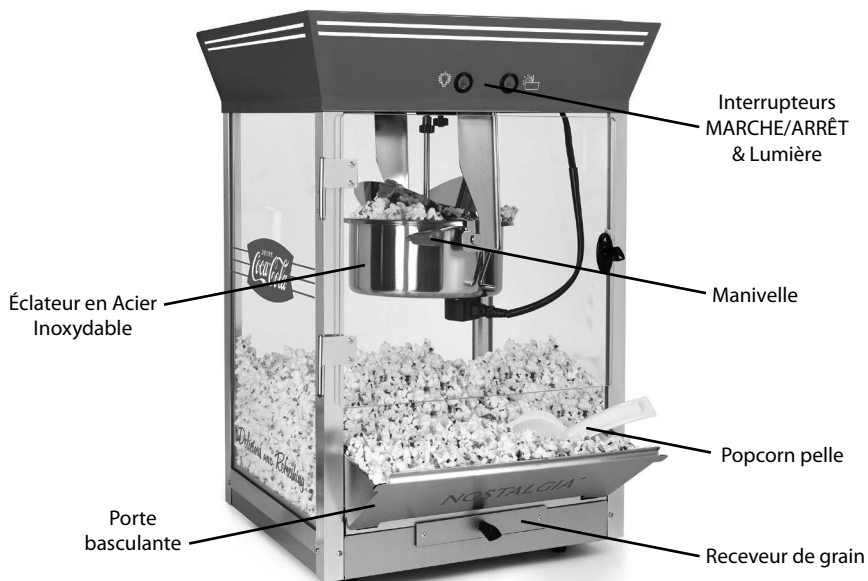
Visiter www.nostalgiaproducts.com pour savoir quels trousseaux et accessoires sont disponibles pour ce produit !

PIÈCES ET ASSEMBLAGE

ASSEMBLAGE

Insérez le chaudron dans les supports puis brancher le cordon du moteur du chaudron dans la prise localisée du côté inférieur du chaudron. Le cordon du moteur du chaudron est situé sur le plafond de l'appareil.

Puis visser la manivelle en serrant dans le sens contraire aux aiguilles d'une montre.



COMMENT FAIRE FONCTIONNER

Avant la première utilisation, nettoyer l'intérieur de l'appareil en l'essuyant avec une éponge, serviette ou chiffon non abrasif puis essuyer avec une serviette sèche non-abrasive. Essuyer l'intérieur du chaudron et s'assurer qu'il est correctement placé dans les supports avant de commencer.

1. Tout d'abord, trouver une surface plane à proximité d'une prise électrique avant de commencer. S'assurer que le cordon est éloigné de toute source d'eau. Il est acceptable d'utiliser une rallonge si nécessaire.
2. Regrouper vos provisions pour obtenir le maïs éclaté: grains de maïs, assaisonnements, huile de cuisson, bol de service, tasse à mesurer les grains et cuillère pour mesurer l'huile. (La tasse à mesurer les grains et la cuillère pour mesurer l'huile sont inclus avec votre appareil.)
3. Brancher l'appareil à la prise murale alors que le commutateur est en a position ÉTEINTE.
4. S'assurer que le chaudron est bien fixé dans les pattes des supports et que le cordon du moteur du chaudron est bien branché dans la prise située sur le bas inférieur du chaudron. Le cordon du moteur du chaudron est situé au plafond de l'appareil.
REMARQUE : Le chaudron ne chauffera pas si la prise n'est pas entièrement insérée.
5. Allumer l'appareil à la position ALLUMÉE en basculant l'interrupteur sur le dessus de la machine. Laisser l'appareil fonctionner 3 à 5 minutes pour faire chauffer le chaudron.
6. ÉTEINDRE l'appareil.
7. Utiliser la cuillère à mesurer l'huile fournie, pour ajouter 5 cuillères à soupe de votre huile à cuisson préférée au maïs du chaudron. Pour de meilleurs résultats il est suggéré d'employer l'huile de noix de coco.
8. Ajouter 1½ écopes (10 onces.) de grains de maïs soufflé au chaudron utilisant la Tasse à Mesurer d'Entreposage.
REMARQUE : NE PAS trop remplir ou entasser les grains dans la tasse à mesurer car cela produira un refoulement dans le chaudron. Ce faisant cela peut donner lieu à plus de grains non éclatés et donner des grains fumés ou brûlés.
9. Allumer l'unité et fermer la porte. En un rien de temps vous entendrez l'éclatement des grains commencer. Du maïs soufflé frais, chaud, va commencer à jaillir des rabats sur le chaudron !
REMARQUE : La vapeur produite pendant le processus d'éclatement est normale.
10. Une fois que les grains ont cessé d'éclater, éteindre l'appareil et faire pencher le chaudron en utilisant le bouton rouge de la manivelle pour libérer le maïs soufflé.
REMARQUE : Ne pas laisser le moteur fonctionner après que le maïs soufflé soit éclaté.
⚠ IMPORTANT: Utiliser la plus grande prudence lors de la vidange du maïs soufflé. Toujours s'assurer que l'appareil est placé sur un comptoir de sorte que l'huile chaude résiduelle qui s'écoule ne cause pas de brûlures.
11. Après chaque lot de maïs soufflé, vérifier et vider tous les grains non éclatés du capteur à grains.

CONSEILS PRATIQUES



Ne jamais laisser l'unité sans surveillance lorsqu'il est en fonction.

CHAUFFAGE

Si votre MACHINE COMMERCIALE DE 10 ON commence à fumer pendant la cuisson cela peut être dû à la graisse accumulée. Afin de réduire la fumée s'assurer de nettoyer l'intérieur du chaudron entre les utilisations.

MAÏS ÉCLATÉ

Le MACHINE COMMERCIALE DE 10 ON est conçu pour toutes les marques d'appareil à faire éclater le maïs régulières et de meilleure qualité. Le maïs jaune éclate généralement mieux que le maïs blanc tandis que certaines marques de grains ont une coquille extérieure plus dure et cela peut résulter en moins de grains éclatés. Essayer différentes marques pour trouver ce qui vous convient le mieux.

Si vous remarquez que vous obtenez beaucoup de grains non éclatés, essayer d'ajouter plus d'huile à cuisson au chaudron. Plus d'huile peut aider à faire éclater plus de grains.

Toujours utiliser du maïs à éclater frais. Séché, rassis ou vieux le maïs soufflé éclate mal car il a perdu sa teneur en humidité et peut brûler. Nous recommandons d'entreposer le maïs soufflé dans un récipient hermétique dans un endroit frais.

De temps en temps le maïs éclaté n'éclate pas. Cela est généralement le résultat de facteurs environnementaux tels que la fraîcheur et la teneur en humidité du maïs soufflé ou les différences dans les types de maïs soufflé. Des grains non éclatés ne signifient pas nécessairement un défaut de l'appareil.

Lors du remplissage de la tasse à mesurer les grains, s'assurer de ne pas remplir au-dessus de la ligne marquée. Un remplissage insuffisant peut faire qu'il y a moins de grains à éclater et plus de grains non éclatés qui sortiront de l'appareil. Le sur-remplissage peut faire que le maïs soufflé brûle et fume puisqu' il surcharge le chaudron.

ASSAISONNEMENTS

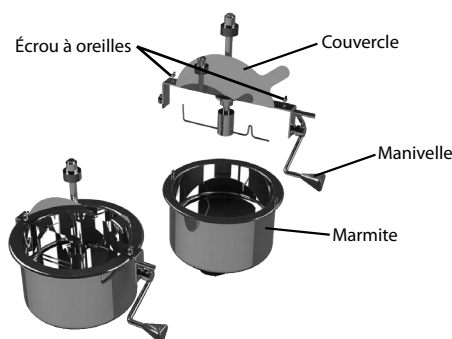
Pour un maïs soufflé à plus de saveur de beurre ou quand on ajoute les assaisonnements, une giclée d'huile d'olive, eau ou beurre permettront aux assaisonnements de mieux coller au maïs éclaté.



IMPORTANT: NE PAS placer le beurre, les assaisonnements ou autre chose que les grains de maïs soufflé dans le chaudron à maïs soufflé. L'utilisation de ces matières peut provoquer des dangers et peut endommager l'appareil.

NETTOYAGE ET ENTRETIEN

EASY CLEAN KETTLE



Avant le nettoyage, s'assurer que l'appareil est débranché de la prise murale et que la corde du chaudron est débranché du chaudron. Permettre à l'unité de se refroidir complètement avant le nettoyage.

1. Après que le cordon du chaudron ait été débranché et que le chaudron a complètement refroidi, tourner la manivelle dans le sens horaire pour desserrer et retirer le chaudron.
2. Enlevez le chaudron des supports et sortir le chaudron hors de l'unité principale.
3. Retirez les deux écrous à oreilles en les tournant dans le sens inverse des aiguilles d'une montre, puis soulevez le couvercle à double charnière de la marmite.
4. Après avoir retiré le chaudron de l'unité principale, le remplir avec une petite quantité d'eau chaude savonneuse.

REMARQUE : Pour protéger le réceptacle à cordon du chaudron de se mouiller, **ne jamais permettre de l'eau ou un liquide quelconque à proximité ou dans le réceptacle à cordon du chaudron.** Ne jamais placer aucune pièce dans le lave-vaisselle. Toujours laver à la main.

5. Laisser le chaudron reposer pendant 15 à 20 minutes afin de couper la graisse. (Le temps exigé pour couper la graisse peut changer - employez votre propre jugement selon la quantité de nettoyage nécessaire.)
6. Soigneusement vider l'eau du chaudron en prenant soin de ne pas envoyer de l'eau dans le réceptacle à cordon du chaudron. Si nécessaire, utiliser le côté du tampon à récurer d'une éponge pour brosser l'intérieur du chaudron.
7. Rincer l'intérieur du chaudron soigneusement et sécher avec une serviette non-abrasive. Essuyer l'extérieur du chaudron avec un chiffon humide puis sécher.
8. Utiliser une éponge légèrement humide, non-abrasive, serviette ou chiffon pour essuyer l'intérieur et l'extérieur de l'unité principale aussi bien que les distributeurs d'assaisonnements et bol de service. Puis essuyer avec une serviette non-abrasive pour faire sécher. Pour les taches tenaces, un dégraissant aux agrumes peut être utilisé sur les panneaux de la vitre et de la porte.

IMPORTANT: Pas tous les dégraissants aux agrumes sont les mêmes et certains peuvent contenir des produits chimiques qui peuvent endommager votre appareil ! Nous recommandons de vérifier le dégraissant sur une petite surface non visible de l'unité pour s'assurer que les produits chimiques n'endommageront pas vos panneaux.

9. Replacer le couvercle à double charnière et les écrous à oreilles, puis remettre la marmite dans les supports de l'unité principale. Enfin, vissez la manivelle, tournant dans le sens antihoraire pour serrer.

RECETTES

La MACHINE COMMERCIALE DE 10 ON prépare du popcorn frais et chaud comme au cinéma en tout temps! Dégustez votre popcorn fraîchement préparé d'une variété de façons :

- Popcorn style cinéma : ajoutez du beurre et du sel.
- Ajoutez un pincée de sucre et de sel au popcorn pour un goût de popcorn sucré.
- Popcorn de saveurs diverses : ajoutez des assaisonnements d'ensembles de popcorn gourmet.
- Essayez l'une de ces amusantes recettes.

SINGE JOUFFLU

- 4 L de Maïs Éclaté
Faites éclater les grains de maïs dans votre MACHINE COMMERCIALE DE 10 ON tel qu'indiqué dans la section COMMENT FAIRE FONCTIONNER.
- 1 Sac de 336 g. de Brisures de Chocolat Mi-Sucré
Faites fondre les brisures de chocolat et les bouchées au beurre d'arachide sur la cuisinière, tel que recommandé sur leur emballage.
- 1 Sac de 340 g. de Bouchées au Beurre d'Arachides
Recouvrez une tôle à biscuits avec du papier ciré.
- 1 Sac de 119 g. de Croustilles de Banane, Coupées en Petits Morceaux
Mélangez le maïs éclaté et les croustilles de banane.
- 1 Sac de 311g. d'Arachides
Étendez le mélange de maïs et de croustilles de banane également sur la tôle à biscuits.
Arrosez le maïs et les croustilles de banane avec le mélange de chocolat et de bouchées de beurre d'arachides fondu.
Saupoudrez les arachides sur le mélangeur de chocolat et de bouchées de beurre d'arachides.
Laissez refroidir.
Lorsque le chocolat et le beurre d'arachides aura durci, cassez votre Singe Joufflu en morceaux.
Peut être conservé dans des sacs de plastique pour congélateur.

MAÏS ÉCLATÉ AU PARMESAN

- 4 L de Maïs Éclaté
Faites éclater les grains de maïs dans votre MACHINE COMMERCIALE DE 10 ON tel qu'indiqué dans la section COMMENT FAIRE FONCTIONNER.
- 5 mL à thé de Poudre d'Ail
Mélangez la poudre d'ail, les échalotes, le poivre concassé, le sel de mer et le parmesan. Réservez.
- 3 Échalotes Finement Hachées
Dans un grand bol à mélanger, arrosez le maïs avec de l'huile d'olive chaude.
- 2½ mL à Table de Poivre Concassé
Mélangez jusqu'à ce que le maïs soit bien badigeonné.
- 5 mL Table de Sel de Mer
Ajoutez les ingrédients secs graduellement tout en continuant à mélanger le maïs jusqu'à ce qu'il soit bien enrobé.
- 90 g. de Parmesan Râpé (plus ou moins, au goût)
Vous pouvez aussi saupoudrez les ingrédients secs sur le maïs dans un grand sac en papier ou en mousseline.
- 45 mL Table d'Huile d'Olive Chauffée

BOULES DE MAÏS ÉCLATÉ TRADITIONNELLES

- 70 g. de Maïs Éclaté
- 120 mL de Sirop de Maïs
- 100 g. de Sucre Granulé
- 2½ mL Thé de Sel
- 1 Bâtonnet de Beurre, Amolli

Faites éclater les grains de maïs dans votre MACHINE COMMERCIALE DE 10 ON tel qu'indiqué dans la section COMMENT FAIRE FONCTIONNER.

Mélangez le sirop de maïs, le sucre et le sel ensemble dans un chaudron et faire dissoudre à feu moyen pendant environ 3 minutes.

Ajoutez le maïs éclaté au chaudron en remuant constamment à feu doux jusqu'à ce que le maïs soit enrobé également.

Retirez du feu.

Utilisez le beurre ramolli pour faire des boules pendant que le mélange de maïs est encore chaud.

Emballez les boules individuellement dans une pellicule plastique, attachez et conservez à la température de la pièce.

ÉCORCES DE MAÏS ÉCLATÉ À LA MENTHE

- 4 L de Maïs Éclaté
- 1 Sac de 340 g. de Brisures de Chocolat Mi-Sucré
- 150 g. de Bâtonnets à la Menthe, Émiettés

Faites éclater les grains de maïs dans votre MACHINE COMMERCIALE DE 10 ON tel qu'indiqué dans la section COMMENT FAIRE FONCTIONNER.

Faites fondre les brisures de chocolat sur la cuisinière, tel que le recommande l'emballage.

Recouvrez une tôle à biscuits avec du papier ciré.

Étendez le maïs éclaté également sur la tôle à biscuits.

Arrosez le maïs éclaté avec le chocolat fondu.

Saupoudrez les bâtonnets à la menthe émiettés sur le chocolat.

Laissez refroidir.

Lorsque le chocolat aura durci, brisez les écorces de maïs éclaté à la menthe en morceaux.

Se conserve dans des sacs en plastique pour le congélateur.

RETOURS ET GARANTIE

SI VOTRE APPAREIL NE FONCTIONNE PAS OU S'IL EST ENDOMMAGÉ QUAND VOUS LE RETIREZ DE LA BOÎTE, VEUILLEZ LE RETOURNER IMMÉDIATEMENT À L'ENDROIT OÙ IL A ÉTÉ ACHETÉ.

MACHINE COMMERCIALE DE 10 ON / CCP610CKTP

Pour toute question, communiquer par courriel ou au numéro de téléphone du service à la clientèle, entre 08 h 00 et 17 h 00, du lundi au vendredi, heure normale du Centre.

Distribué par :

Nostalgia Products LLC
1471 Partnership Dr.
Green Bay, WI 54304-5685
Service à la clientèle
Téléphone : (920) 347-9122
Site Web : www.nostalgiaproducts.com

Demande pour le service à la clientèle

Pour soumettre une demande au service à la clientèle, rendez vous au www.nostalgiaproducts.com puis remplissez le formulaire de demande au service à la clientèle puis cliquez sur le bouton Soumettre.

Un représentant vous contactera dès que possible.

Conditions de garantie du produit

Le groupe Nostalgia Products LLC (référé tel « l'Entreprise ») garantit que pour une période d'un (1) an en date d'achat, ce produit est sans défaut de matériel et de fabrication selon une utilisation normale à domicile, seulement si le fonctionnement et l'entretien du produit sont conformes aux directives fournies. À titre de réparation exclusive et entière sous cette garantie, l'Entreprise pourra à sa discrétion, réparer ou remplacer le produit défectueux, voire émettre un remboursement du produit durant la période couverte sous garantie. Cette garantie n'est disponible seulement qu'à l'acheteur d'origine du produit, en date d'achat au détail dudit produit et sera valide uniquement avec le reçu de caisse d'origine, à titre de preuve d'achat, lequel est requis pour obtenir les bienfaits reliés à cette garantie. Toute réclamation doit être rapportée à l'attention de l'Entreprise dans la fenêtre de la période de la garantie, sans dépasser 30 jours à défaut de performance. Cette garantie ne couvre pas l'usure normale ou dommage cause par l'expédition, la mauvaise manipulation, la mauvaise utilisation, les accidents, les modifications, les mauvaises pièces de remplacement, voire toute autre utilisation anormale du produit à domicile. Il est possible que vous ayez à retourner le produit (avec les frais de retour prépayés par vous) pour une inspection et une évaluation. Les frais des coûts de retour ne sont pas remboursables. L'Entreprise n'est aucunement responsable pour les retours endommagés ou perdus en transit. Autrement que spécifiquement permis selon les directives de fonctionnement, cette garantie s'applique à une utilisation à domicile à d'intérieur seulement. Afin d'obtenir un service couvert sous cette garantie, veuillez contacter l'Entreprise au numéro de téléphone inclut ci-haut ou en remplissant le formulaire de demande au service à la clientèle, sur le site www.nostalgiaproducts.com. La garantie est valide seulement aux États-Unis et au Canada.

Cette garantie prévaut toute autre garantie, expresse ou implicite incluant les garanties de qualité marchande ou ayant une aptitude pour une intention en particulier, lesquelles sont exclues selon la loi. Sous aucun prétexte l'Entreprise ne pourra être tenue responsable pour tout dommage indirect, accidentel, conséquentiel ou spécial provenant de ou en relativité avec ce produit ou son utilisation. Certains états, provinces ou juridictions n'allouent pas l'exclusion ou la limitation de tels dommages accidentels ou conséquentiels, donc l'exclusion ou limitation suscitée peut ne pas s'appliquer à vous.

Cette garantie ne s'applique pas à la marchandise de renaissance.

Veillez lire les directives de fonctionnement attentivement. Ne pas se conformer aux directives de fonctionnement annulera cette garantie.

Pour plus d'informations, visitez notre site Web à www.nostalgiaproducts.com.

Aimez-nous sur Facebook à l'adresse www.facebook.com/NostalgiaElectrics.

Suivez nos conseils sur Pinterest à www.pinterest.com/nostalgiaelctrx.

Tweet avec nous sur Twitter à l'adresse www.twitter.com/NostalgiaElctrx.

