

COMPLETE MICROWAVE OVEN WITH AIR FRY & CONVECTION GRILL

Model: FMO10AHDBKC



Read these instructions carefully before using your microwave oven, and to maintain its upkeep. If you follow the instructions, your oven will provide you with many years of good service.

KEEP THESE INSTRUCTIONS IN A SAFE PLACE

(rev. 07/23/19) MD

FARBERWARE®

Farberware is a registered trademark of Farberware Licensing Company, LLC
Manufactured and sold pursuant to a license from Farberware Licensing Company, LLC
© 2019 Farberware Licensing Company, LLC. All rights reserved.

Tables of Contents

PRECAUTIONS.....	4
SPECIFICATIONS.....	4
SAFETY.....	5
GROUNDING.....	6
UTENSILS.....	8
SETTING UP YOUR OVEN.....	10
CONTROL PANEL.....	12
OPERATION.....	13
MAINTENANCE.....	22
WARRANTY INFORMATION.....	23

PRECAUTIONS TO AVOID POSSIBLE EXPOSURE TO EXCESSIVE MICROWAVE ENERGY

- (a) Do not attempt to operate this oven with the door open since open door operation can result in harmful exposure to microwave energy.
It is important not to tamper with the safety interlocks.
- (b) Do not place any object between the oven front face and the door or allow food or cleaner residue to accumulate on the sealing surfaces.
- (c) Do not operate the oven if it is damaged. It is particularly important that the oven door close properly and that there is no damage to the:
 - (1) DOOR (bent)
 - (2) HINGES AND LATCHES (broken or loosened)
 - (3) DOOR SEALS AND SEALING SURFACES (Do not use if the door seal or sealing surfaces are damaged.)
- (d) The oven should not be adjusted or repaired by anyone except properly qualified service personnel.

SPECIFICATIONS

Model:	FMO10AHDBKC
Rated Voltage:	120V~60Hz
Rated Output Power (Grill):	1150W
Rated Output Power (Microwave):	1000W
Rated Input Power (Convection):	1800W
Oven Capacity:	1.0 cu. ft.
Turntable Diameter:	12.4 inch
External Dimensions:	20.47 x 20 x 12.83 inch
Net Weight:	Approx. 40.78 lbs.



WARNING:

This product can expose you to chemicals including Phthalates or other chemicals which are known to the State of California to cause cancer, birth defects and other reproductive harm.

For more information, visit www.P65Warnings.ca.gov

IMPORTANT SAFETY INSTRUCTIONS

When using electrical appliances basic safety precautions should be followed, including the following:

WARNING - To reduce the risk of burns, electric shock, fire, injury to persons or exposure to excessive microwave energy:

1. Read all instructions before using the appliance.
2. Read and follow the specific: **“PRECAUTIONS TO AVOID POSSIBLE EXPOSURE TO EXCESSIVE MICROWAVE ENERGY” found on page 4.**
3. This appliance must be grounded. Connect only to properly grounded outlet. See **“GROUNDING INSTRUCTIONS” found on page 6.**
4. Install or locate this appliance only in accordance with the provided installation instructions.
5. Some products such as whole eggs and sealed containers - for example, closed glass jars - are able to explode and should not be heated in this oven.
6. Use this appliance only for its intended use as described in the manual. Do not use corrosive chemicals or vapors in this appliance. This type of oven is specifically designed to heat, cook or dry food. It is not designed for industrial or laboratory use.
7. As with any appliance, close supervision is necessary when used by children.
8. Do not operate this appliance if it has a damaged cord or plug, if it is not working properly, or if it has been damaged or dropped.
9. This appliance should be serviced only by qualified service personnel. Contact nearest authorized service facility for examination, repair, or adjustment.
10. Do not cover or block any openings on the appliance.
11. Do not store this appliance outdoors. Do not use this product near water - for example, near a kitchen sink, in a wet basement, near a swimming pool, or similar location.
12. Do not immerse cord or plug in water.
13. Keep cord away from heated surface.
14. Do not let cord hang over edge of table or counter.
15. When cleaning surfaces of door and oven that comes together on closing the door, use only mild, nonabrasive soaps, or detergent applied with a sponge or soft cloth.
16. To reduce the risk of fire in the oven cavity:
 - a. Do not overcook food. Carefully attend appliance when paper, plastic, or other combustible materials are placed inside the oven to facilitate cooking.
 - b. Remove wire twist-ties from paper or plastic bag before placing bag in oven.
 - c. If material inside of the oven ignite, keep oven door closed, turn oven off, and disconnect the power cord, or shut off power at the fuse or circuit breaker panel.
 - d. Do not use the cavity for storage purposes. Do not leave paper products, cooking utensils, or food in the cavity when not in use.
17. Liquids, such as water, coffee, or tea are able to be overheated beyond the boiling point without appearing to be boiling. Visible bubbling or boiling when the container is removed from the microwave oven is not always present.

THIS COULD RESULT IN VERY HOT LIQUID SUDDENLY BOILING OVER WHEN THE CONTAINER IS DISTURBED OR A UTENSIL IS INSERTED INTO THE LIQUID.

To reduce the risk of injury to persons:

1. Do not overheat the liquid.
2. Stir the liquid both before and halfway through heating it.
3. Do not use straight-sided containers with narrow necks.
4. After heating, allow the container to stand in the microwave oven for a short time before removing the container.
5. Use extreme care when inserting a spoon or other utensil into the container.

SAVE THESE INSTRUCTIONS

GROUNDING INSTRUCTIONS

This appliance must be grounded. In the event of an electrical short circuit, grounding reduces the risk of electric shock by providing an escape wire for the electric current. This appliance is equipped with a cord having a grounding wire with a grounding plug. The plug must be plugged into an outlet that is properly installed and grounded.

WARNING – Improper use of the grounding can result in a risk of electric shock. **Consult a qualified electrician or serviceman if the grounding instructions are not completely understood, or if doubt exists as to whether the appliance is properly grounded.** If it is necessary to use an extension cord, use only a 3-wire extension cord that has a 3-blade grounded plug, and 3-slot receptacle that will accept the plug on the appliance. The marked rating of the extension cord shall be equal to or greater than the electrical rating of the appliance.

DANGER – Electric Shock Hazard

Touching some of the internal components can cause serious personal injury or death. Do not disassemble this appliance.

WARNING – Electric Shock Hazard

Improper use of the grounding can result in electric shock. Do not plug into an outlet until appliance is properly installed and grounded.

1. A short power-supply cord is provided to reduce the risks resulting from becoming entangled in or tripping over a longer cord.
2. Longer cord sets or extension cords are available and may be used if care is exercised in their use.
3. If a long cord or extension cord is used:
 - a. The marked electrical rating of the cord set or extension cord should be at least as great as the electrical rating of the appliance.
 - b. The extension cord must be a grounding-type 3-wire cord.
 - c. The longer cord should be arranged so that it will not drape over the counter top or tabletop where it can be pulled on by children or tripped over unintentionally.

RADIO INTERFERENCE

1. Operation of the microwave oven may cause interference to your radio, TV or similar equipment.
2. When there is interference, it may be reduced or eliminated by taking the following measures:
3. Clean door and sealing surface of the oven.
 - a. Reorient the receiving antenna of radio or television.
 - b. Relocate the microwave oven with respect to the receiver.
 - c. Move the microwave oven away from the receiver.
 - d. Plug the microwave oven into a different outlet so that microwave oven and receiver are on different branch circuits.

SAFETY

1. The oven must be on a leveled surface.
2. The turntable and turntable roller rest must be in the oven during cooking. Place the cookware gently on the turntable and handle it carefully to avoid possible breakage.
3. Incorrect use of browning dish may cause the turntable to break.
4. Use only the specified bag size when using Direct Access Popcorn.
5. The oven has several built-in safety switches to ensure that the power remains off when the door is open. Do not tamper with these switches.
6. Do not operate the microwave oven empty. Operating the oven with no food or food that is extremely low in moisture can cause fire, charring or sparking.
7. Do not cook bacon directly on the turntable. Excessive local heating of the turntable may cause the turntable to break.
8. Do not heat baby bottles or baby food in the microwave oven. Uneven heating may occur and could cause physical injury.
9. Do not heat narrow-necked containers, such as syrup bottles.
10. Do not attempt to deep-fry in your microwave oven.
11. Do not attempt home canning in this microwave oven, as it is impossible to be sure all contents of the jar have reached boiling temperature.
12. Do not use this microwave oven for commercial purpose. This microwave oven is made for household use only.
13. To prevent delayed eruptive boiling of hot liquids and beverages or scalding yourself, stir liquid before placing the container in the oven and again halfway through cooking time. Let stand in the oven for a short time and stir again before removing the container.
14. Use care when cooking food in the microwave oven to avoid burning due to excessive cooking.
15. When the appliance is operated in the combination mode, children should only use the oven under adult supervision due to the temperatures generated.
16. Failure to maintain the oven in a clean condition could lead to deterioration that could adversely affect the life of the appliance and possibly result in a hazardous situation.

UTENSILS

 **CAUTION** – Personal Injury Hazard

Tightly-closed utensils could explode. Closed containers should be opened and plastic pouches should be pierced before cooking.

See the instructions on “Materials you can use in microwave oven or to be avoided in microwave oven.”

There may be certain non-metallic utensils that are not safe to use for microwaving. If in doubt, you can test the utensil in question following the procedure below.

Utensil Test:

1. Fill a microwave-safe container with 1 cup of cold water (250ml) along with the utensil in question.
2. Cook on maximum power for 1 minute.
3. Carefully feel the utensil. If the empty utensil is warm, do not use it for microwave cooking.
4. Do not exceed 1 minute cooking time.

MATERIALS TO AVOID IN MICROWAVE OVEN

Utensils	Remarks
Aluminum tray	May cause arcing. Transfer food into microwave-safe dish.
Food carton with metal handle	May cause arcing. Transfer food into microwave-safe dish.
Metal or metal-trimmed utensils	Metal shields the food from microwave energy. Metal trim may cause arcing.
Metal twist ties	May cause arcing and could cause a in the oven.
Paper bags	May cause fire in the oven
Plastic foam	Plastic foam may melt or contaminate the liquid inside when exposed to high temperature.
Wood	Wood will dry out when used in the microwave oven and may split or crack.

MATERIALS YOU CAN USE IN MICROWAVE OVEN

Utensils	Remarks
Browning dish	Follow manufacturer instructions. The bottom of browning dish must be at least 3/16 inch (5mm) above the turntable. Incorrect usage may cause the turntable to break.
Dinnerware	Microwave-safe only. Follow manufacturer's instructions. Do not use cracked or chipped dishes.
Glass jars	Always remove lid. Use only to heat food until just warm. Most glass jars are not heat resistant and may break.
Glassware	Heat-resistant oven glassware only. Make sure there is no metallic trim. Do not use cracked or chipped dishes.
Oven cooking bags	Follow manufacturer* instructions. Do not close with metal tie. Make slits to allow steam to escape.
Paper plates and cups	Use for short term cooking/warming only. Do not leave oven unattended while cooking.
Paper towels	Use to cover food for reheating and absorbing fat. Use with supervision for a short-term cooking only.
Parchment paper	Use as a cover to prevent splattering or a wrap for steaming.
Plastic	Microwave-safe only. Follow the manufacturer* instructions. Should be labeled "Microwave Safe". Some plastic containers soften, as the food inside gets hot. "Boiling bags" and tightly closed plastic bags should be slit, pierced or vented as directed by package.
Plastic wrap	Microwave-safe only. Use to cover food during cooking to retain moisture. Do not allow plastic wrap to touch food.
Thermometers	Microwave-safe only (meat and candy thermometers).
Wax paper	Use as a cover to prevent splattering and retain moisture.

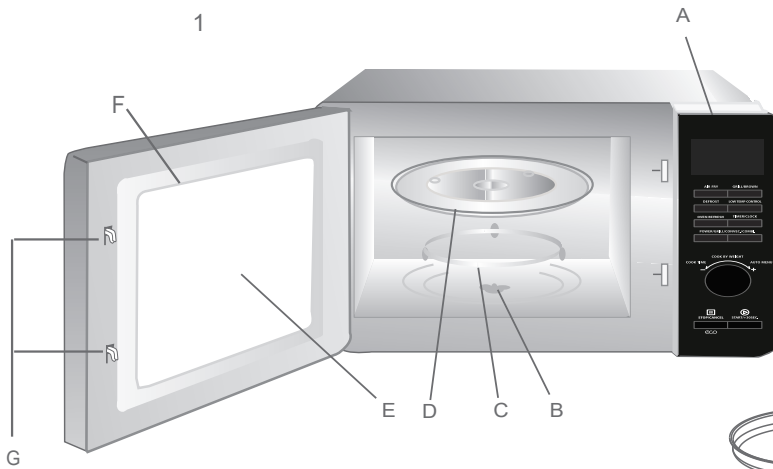
SETTING UP OUR OVEN

Names of Oven Parts and Accessories

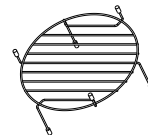
Remove the oven and all materials from the carton and oven cavity. Your oven comes with the following accessories.

Glass tray (turntable)
 Turntable ring
 Instruction manual

- A. Control panel
- B. Turntable shaft
- C. Turntable ring
- D. Glass tray
- E. Observation window
- F. Oven Door
- G. Safety interlock system

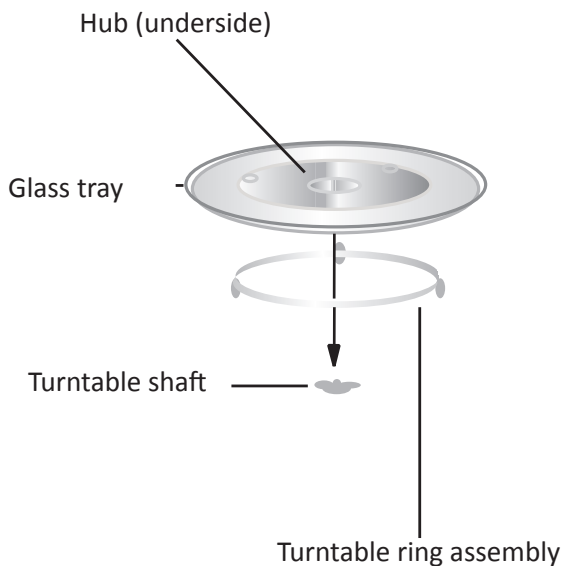


Teflon pan(Cannot be used in microwave function and must be placed on the grill rack)



Grill Rack(Cannot be used in microwave function and must be placed on the glass tray)

Turntable Installation



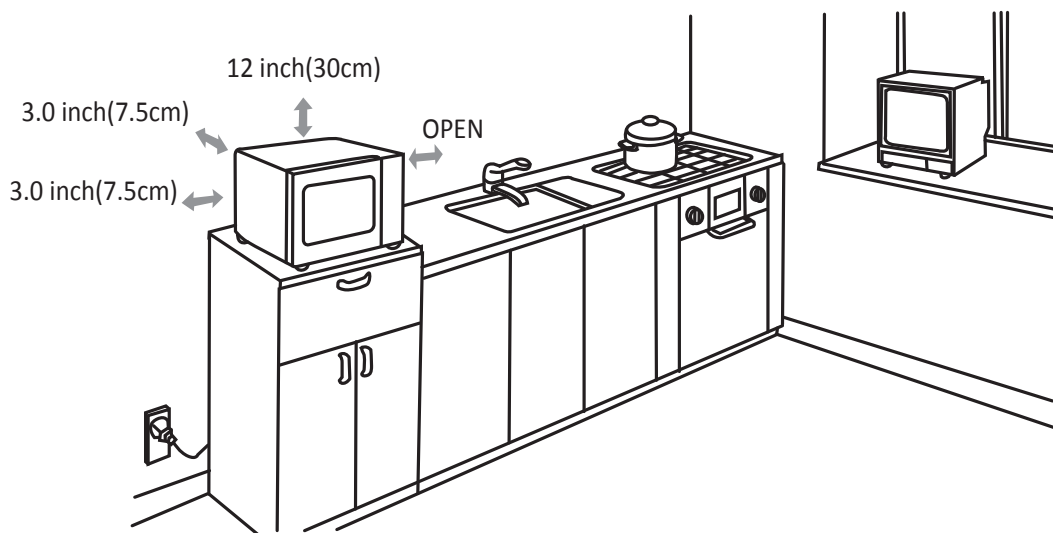
- a. Never place the glass tray upside down. The glass tray should never be restricted.
- b. Both glass tray and turntable ring assembly must always be used during cooking.
- c. All food and containers of food are always placed on the glass tray for cooking.
- d. If glass tray or turntable ring assembly cracks or breaks, contact your nearest authorized service center.

Countertop Installation

Remove all packing material and accessories. Examine the oven for any damage such as dents or broken door. Do not install if oven is damaged.

Cabinet: Remove any protective film found on the microwave oven cabinet surface.

Do not remove the light brown Mica cover that is attached to the oven cavity to protect the magnetron.

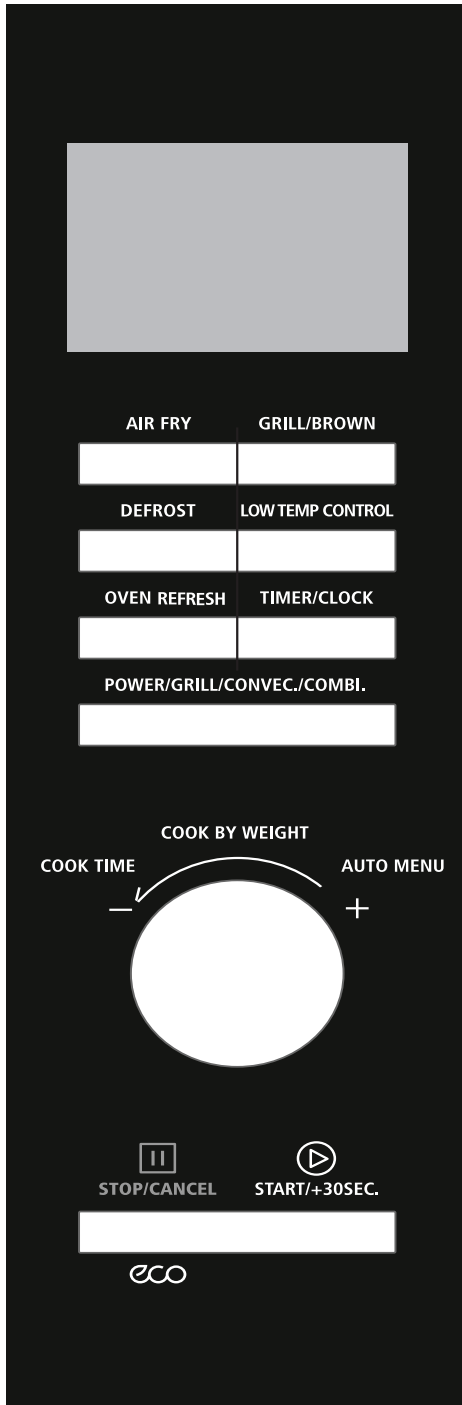


1. Select a level surface that provide enough open space for the intake and/or outlet vents. A minimum clearance of 3.0 inches (7.5cm) is required between the oven and any adjacent walls. One side must be open.
 - a. Leave a minimum clearance of 12 inches (30cm) above the oven.
 - b. Do not remove the legs from the bottom of the oven.
 - c. Blocking the intake and/or outlet openings can damage the oven.
 - d. Place the oven as far away from radios and TV as possible. Operation of microwave oven may cause interference to your radio or TV reception.
2. Plug your oven into a standard household outlet. Be sure the voltage and the frequency is the same as the voltage and the frequency on the rating label.

WARNING: Do not install oven over a range cooktop or other heat-producing appliance. If installed near or over a heat source, the oven could be damaged and the warranty would be void.

CONTROL PANEL

DESCRIPTION OF DISPLAY ICONS



ICON	Description	ICON	Description
	Microwave Function		Convection Function
	Grill Function		Defrost
	Child Lock		Auto Menu
	Weight		Temperature Progress Bar

OPERATION

1. POWER LEVEL

10 Power levels are available

Level	10	9	8	7	6	5	4	3	2	1
Power	100%	90%	80%	70%	60%	50%	40%	30%	20%	10%
Display	PL10	PL9	PL8	PL7	PL6	PL5	PL4	PL3	PL2	PL1

2. CLOCK SETTING

In standby mode, this microwave oven uses modern electronic control to adjust cooking parameters to meet your needs for better cooking.

- (1) Press "TIMER/CLOCK" twice, the hour figures will flash.
- (2) Turn dial to adjust the hour figures, the input time should be within 1-12 (12 hour).
- (3) Press "TIMER/CLOCK", the minute figures will flash and the hour is set.
- (4) Turn dial to adjust the minute figures, the input time should be within 0-59.
- (5) Press "TIMER/CLOCK" to finish clock setting. ":" will flash.

Note:

- A. If the clock is not set, it would not function when powered.
- B. During the process of clock setting, if you press "STOP/CANCEL", the oven will go back to the previous status automatically.

3. KITCHEN TIMER

- (1) In standby mode, press "TIMER/CLOCK" once, the screen will display "00:00".
- (2) Turn the dial to enter the correct time. (Maximum cooking time is 95 minutes).
- (3) Press "START/+30SEC." to confirm setting.
- (4) When the timer time arrives, the buzzer will ring 5 times, screen display the current time.

Note:

1. The kitchen time is different from 12-hour system, Kitchen Timer is a timer.
2. During the kitchen timer, any program cannot be set.

4. MICROWAVE COOKING

- (1) Press the "POWER/GRILL/CONVEC./COMBO." once and "PL10" will flash.
- (2) Press "START/+30 SEC." to confirm. The "PL10" will light.
- (3) Press "POWER/GRILL/CONVEC./COMBO." repeatedly or turn the dial to select microwave power from 100% to 10%. "PL10", "PL9", "PL8", and so on up to "PL1" will display in order.
- (4) Press "START/+30 SEC" to confirm. Then turn the dial to adjust the cooking time (time setting should be 0:05-95:00).
- (5) Press "START/+30 SEC" to start cooking.

Note:

A. When turning knob to adjust the cooking time, time increments for different time zones are as follows:

- 0-1 min: 5 seconds
- 1-5 min: 10 seconds
- 5-10 min: 30 seconds
- 10-30 min: 1 minute
- 30-95 min: 5 minutes

5. GRILL COOKING

- (1) Press the "POWER/GRILL/CONVEC./COMBO." once and "PL10" will flash.
- (2) Press the "POWER/GRILL/CONVEC./COMBO." repeatedly or turn dial to select the grill function. Stop pressing/turning when "G-1" flashes.
- (3) Press the "START/+30 SEC" to confirm. The "G-1" will light.
- (4) Turn the dial to adjust the cooking time. (Time setting should be 0:05-95:00).
- (5) Press "START/+30 SEC" to start cooking.

Note:

A. When half cooking time passes, the oven will beep twice to remind you to turn over the food to have the food better cooked. You should turn over the food, close the door and press "START/+30 SEC" to continue cooking. If no operation, the oven will continue working.

6. CONVECTION COOKING (With preheating function)

The convection cooking can let you cook the food you do with a traditional oven. Microwave is not used. It is recommended that you should preheat the oven to the appropriate temperature before placing the food in the oven.

- (1) Press the "POWER/GRILL/CONVEC./COMBO." once and the "PL10" will flash.
- (2) Press the "POWER/GRILL/CONVEC./COMBO." repeatedly or turn dial to select convection function. Stop pressing/turning when "100 F" flashes and lights turn on.
- (3) Press "START/+30 SEC" to confirm.
- (4) Turn dial to select the convection temperature. Note: The temperature can be chosen from 100 F to 425 F.
- (5) Press the "START/+30 SEC" to confirm the temperature.
- (6) Press the "START/+30 SEC" to start preheating. When reaching the set preheating temperature, the buzzer will sound twice to remind you to put the food into the oven. The preheated temperature is displayed and flashes.

- (7) Put the food into the oven and close the door. Turn the dial to adjust cooking time (maximum setting time is 95 minutes.)
- (8) Press the "START/+30 SEC" key to start cooking.

7. CONVECTION COOKING (Without pre-heating function)

- (1) Press the "POWER/GRILL/CONVEC./COMBO." once and "PL10" will flash.
- (2) Press the "POWER/GRILL/CONVEC./COMBO." repeatedly or turn dial to select convection function. Stop pressing/turning when "100" flashes.
- (3) Press "START/+30 SEC" to confirm.
- (4) Turn dial to select the convection temperature. Note: The temperature can be chosen from 100 F to 425 F.
- (5) Press "START/+30 SEC" to confirm the temperature.
- (6) Turn the dial to adjust cooking time. Maximum setting time is 95 minutes.
- (7) Press the "START/+30 SEC" to start cooking.

8. COMBINATION COOKING

- (1) Press the "POWER/GRILL/CONVEC./COMBO." once and "PL10" will flash.
- (2) Press the "POWER/GRILL/CONVEC./COMBO." repeatedly or turn dial to select combination mode. Stop pressing/turning when "G-2" or "G-3" or "C-1" is displayed.
- (3) Press "START/+30 SEC" to confirm.
- (4) Turn dial to adjust the cooking time. (Time setting should be 0:05-95:00).
- (5) Press "START/+30 SEC" to start cooking.

Note: Combination instructions

Function	Display	Microwave Power	Grill Power	Convection Power
Combi.1	G-2	36%	64%	0%
Combi.2	G-3	64%	36%	0%
Combi.3	C-1	28%	72%	72%

9. MULTI-STAGE COOKING

Two stages can be maximumly set. If one stages is defrosting, it should be put in the first stage automatically. The buzzer will ring once after each stage and the next stage will begin. **Note:** Auto menu and preheating cannot be set as one of the multi-stages.

Example: If you want to defrost the food for 5 minutes, then to cook with 80% microwave power for 7 minutes. The steps are as following:

- (1) Press "DEFROST" twice, the screen will display "dEF2"
- (2) Turn dial to adjust the defrost time of 5 minutes
- (3) Press "POWER/GRILL/CONVEC./COMBO." once

- (4) Press "START/+30 SEC" to confirm
- (5) Turn dial to choose 80% microwave power until "PL8" display
- (6) Press "START/+30 SEC" to confirm
- (7) Turn dial to adjust the cooking time of 7 minutes
- (8) Press "START/+30 SEC" to start cooking

10. SPEEDY COOKING

- (1) In waiting state, press "START/+30 SEC" key to cook with 100% power level for 30 seconds. Each press on the same key can increase 30 seconds. The maximum cooking time is 95 minutes.
- (2) During microwave, grill, convection and combination states, press "START/+30 SEC" key to cook with 100% power level for 30 seconds. Each press on the same key can increase 30 seconds.

Note: This function cannot work under weight defrost, multi-stage, auto menu cooking or low temperature control.

11. AUTO MENU

- (1) In waiting state, turn dial right to choose from the function wanted "A1", "A2", "A3", and so on up to "A11" will be displayed in turn.
- (2) Press "START/+30 SEC" to confirm the menu you need.
- (3) Turn dial to choose the weight and "Oz" indicator will light.
- (4) Press "START/+30 SEC" to start cooking.

PRE-PROGRAMMED AUTO MENU	DISPLAY SHOWING	WEIGHT OF THE FOOD	DISPLAY SHOWING	PRE-SET COOKING TIME	PRE-SET POWER LEVEL	HOW TO OPERATE
AUTO REHEAT	A1	5.00Oz	5.00Oz	1'30"	100% Microwave	<p>1) In waiting state, turn the knob to choose the function wanted, and "A1","A2", "A3"... "A10","A11" will be displayed.</p> <p>2) Press "START/ +30 SEC" to confirm the menu you need.</p> <p>3) Turn the knob to choose the suitable weight</p> <p>4) Press "START/ +30 SEC" to start cooking.</p> <p>Note: For "Bake", please do not put the food into the oven at the beginning. The oven needs to be preheated to 300 °F first. After several minutes, the buzzer sounds twice to remind you to put the food into the oven. After putting the food in the oven, please press start again. The timer will count down, and the food will be cooked perfectly.</p> <p>For "Chicken", during the cooking process, the oven sounds twice to remind you to turn the food over .</p>
		9.00Oz	9.00Oz	2'10"		
		12.00Oz	12.00Oz	3'10"		
		16.00Oz	16.00Oz	4'10"		
		21.00Oz	21.00Oz	5'40"		
POTATO	A2	1(Approx.8 Oz)	1	5'00"	100% Microwave	
		2(Approx.16 Oz)	2	9'00"		
		3(Approx.24 Oz)	3	12'00"		
MEAT	A3	5.00Oz	5.00Oz	3'20"	100% Microwave	
		10.00Oz	10.00Oz	5'00"		
		16.00Oz	16.00Oz	6'10"		
		21.00Oz	21.00Oz	7'50"		
VEGETABLE	A4	5.00Oz	5.00Oz	2'10"	80% Microwave	
		12.00Oz	12.00Oz	4'30"		
		18.00Oz	18.00Oz	5'30"		
FISH	A5	5.00Oz	5.00Oz	3'20"	80% Microwave	
		9.00Oz	9.00Oz	4'30"		
		12.00Oz	12.00Oz	5'30"		
		16.00Oz	16.00Oz	6'30"		
PASTA	A6	2.00 Oz with 16Oz cold water	2.00Oz	18'00"	80% Microwave	
		4.00Oz with 28Oz cold water	4.00Oz	20'00"		
		6.00 Oz with 42Oz cold water	6.00 Oz	22'00"		
SOUP	A7	8 Oz	8 Oz	2'10"	100% Microwave	
		16 Oz	16 Oz	4'10"		
		24 Oz	24 Oz	6'10"		
BAKE	A8	16.00Oz	16.00Oz	45'00"	100% (Grill + Convection) □□	
PIZZA	A9	8.00 Oz	8.00 Oz	11'00"	(Microwave 100%)	
		10.00Oz	10.00Oz	12'30"	+(Convection 90%)	
		14.00Oz	14.00Oz	14'00"		
CHICKEN	A10	16.00 OZ	16.00 OZ	23'00"	(Microwave 100%)	
		24.00 OZ	24.00 OZ	30'00"	+(Convection 100%)	
		32.00 OZ	32.00 OZ	37'00"		
		40.00 OZ	40.00 OZ	44'00"		
POPCORN	A11	2.75 Oz	2.75 Oz	2'15"	100% Microwave	
		3.2 Oz	3.2 Oz	2'30"		
		3.5 Oz	3.5 Oz	2'50"		

12. DEFROST BY WEIGHT

- (1) Press "DEFROST" key once, the oven will display "dEF1".
- (2) Turn dial to select the weight of food. At the same time, "Oz" will light up. The weight should be 4-100 oz.
- (3) Press "START/+30 SEC" key to start defrosting.

13. DEFROST BY TIME

- (1) Press "DEFROST" key twice, the oven will display "dEF2".
- (2) Turn dial to select the cooking time. The maximum setting time is 95 minutes.
- (3) Press "START/+30 SEC" key to start defrosting.

14. AIR FRYING

- (1) Press the "AIR FRY" once, "H1" will flash.
- (2) Turn dial to choose the menu from H1 to H9. And "H1", "H2", "H3" up to "H9" will display.
- (3) Press "START/+30 SEC" to start cooking.

PRE-PROGRAMMED AIR FRY MENU	DISPLAY SHOWING	WEIGHT OF THE FOOD	PRE-SET COOKING TEMP.	PRE-SET COOKING TIME	PRE-SET POWER LEVEL
Frozen French fries	H1	8 Oz	425°F	22'00"	Convection
Hash Browns	H2	11 Oz	425°F	20'00"	Convection
Frozen Fish	H3	11 Oz	425°F	22'00"	Convection
Frozen Onion rings	H4	8 Oz	425°F	12'00"	Convection
Frozen chicken nuggets	H5	12 Oz	425°F	20'00"	Convection
Fresh Fish/Shrimp	H6	15 Oz	425°F	20'00"	Convection
Fresh Chicken/Chicken Wings	H7	14 Oz	425°F	18'00"	Convection
Fresh Vegetable	H8	6 Oz	425°F	18'00"	Convection
Spring rolls/Egg Rolls	H9	9 Oz	425°F	18'00"	Convection

Note: Use the accessory pan and rack. Lay the food into the pan and put the pan on the rack. Rack height is 40 mm. Food can not be piled up in the pan. Oven will sound during cooking to remind you to turn over the food.

15. GRILL BROWN

- (1) Press the "GRILL/BROWN" key, the screen will display "C1".
- (2) Press "GRILL/BROWN" repeatedly or turn dial to select grill mode. Stop pressing/turning when "C1", "C2", "C3" or "C4" displays.
- (3) Press "START/+30 SEC" to confirm.
- (4) Turn dial to select the cooking weight.
- (5) Press "START/+30 SEC" to start cooking.

Grill/brown	Weight	Power
C1 (fresh pizza slice)	7.00Oz	425°F with preheat
	10.00Oz	
	14.00Oz	
	18.00Oz	
	20.00Oz	
	24.00Oz	
C2(lasagna)	7.00Oz	425°F with preheat
	10.00Oz	
	14.00Oz	
	18.00Oz	
	20.00Oz	
	24.00Oz	
	28.00Oz	
C3 (frozen bread)	7.00Oz	425°F with preheat
	10.00Oz	
	14.00Oz	
C4(pie/tart)	7.00Oz	425°F with preheat
	10.00Oz	
	14.00Oz	
	18.00Oz	
	20.00Oz	
	24.00Oz	
	28.00Oz	

16. LOW TEMP CONTROL

- (1) Press the "LOW TEMP CONTROL" key, the screen will display "L1".
- (2) Press the "LOW TEMP CONTROL" repeatedly or turn dial to select cooking mode. "L1", "L2", "L3", "L4", or "L5" will flash.
- (3) Press "START/+30 SEC" to confirm.
- (4) Turn dial to select cooking temperature.

- (5) Press "START/+30 SEC" to confirm.
- (6) Turn dial to adjust the cooking time.
- (7) Press "START/+30 SEC" to start cooking.

Display	105°F	120°F	140°F	160°F	175°F	195°F	210°F	230°F	Cooking time (Max)
L1(Slow cook)						✓		✓	12h
L2(Keep warm (food))			✓	✓	✓				95min
L3(Dehydrate)	✓	✓	✓	✓	✓	✓			12h
L4(Yogurt)	✓								12h
L5(Plate warmer)	✓	✓	✓	✓	✓	✓	✓		95min

17. OVEN REFRESH

Press "OVEN REFRESH" key to start. Oven fan will work for 5 minutes to vent the smell out from cavity. This function helps to keep the oven clean.

18. SPEEDY MICROWAVE COOKING

In waiting state, turn dial left to choose cooking time directly then press "START/+30 SEC" key to cook with 100% microwave power. This program can be set as the first stage of multi-stage cook.

19. LOCK-OUT FUNCTION FOR CHILDREN

Lock: In waiting state, press "STOP/CANCEL" for 3 seconds, there will be a long 'beep' denoting entering into the children-lock state and lock indicator will light. Screen will display current time or 0:00.

Cancel Lock: In locked state, press "STOP/CANCEL" for 3 seconds, there will be a long 'beep' denoting that the lock is released, and the lock indicator will disappear.

20. SPECIFICATION

- (1) The buzzer will beep once when turning the knob at the beginning.
- (2) "START/+30 SEC" must be pressed to continue cooking if the door is opened during cooking.
- (3) Once the cooking program has been set, "START/+30 SEC" is not pressed in 5 minutes. The current time will be displayed. The setting will be canceled.
- (4) The buzzer sounds once by efficient press, inefficient press will be no response.
- (5) The buzzer will sound 5 times to remind you when cooking is finished.

21. INQUIRING FUNCTION

- (1) During cooking state, press "TIMER/CLOCK" to check current time.
- (2) In cooking state, press "POWER/GRILL/CONVEC./COMBO." and the current power will be displayed for 3 seconds.

22. MUTE MODE

In waiting state, press "STOP/CANCEL" and hold, then press "START/+30 SEC" within 3 seconds, the buzzer will sound once and the oven will enter MUTE mode. Any operation cannot make the buzzer sound. In waiting state, press "STOP/CANCEL" and hold, then press "START/+30 SEC" within 3 seconds, the buzzer will sound once and the oven will exit MUTE mode.

23. ECO MODE

Enter ECO mode: In waiting state, press "STOP/CANCEL" briefly, then the screen will turn off.

Exit ECO mode: Press any key.

MAINTENANCE

Troubleshooting

Check your problem by using the chart below and try the solutions for each problem. If the microwave oven still does not work properly, contact the nearest authorized service center

Trouble	Possible Cause	Possible Remedy
Oven will not start	<ul style="list-style-type: none"> a. Electrical cord for oven is not plugged in. b. Door is open. c. Wrong operation is set. 	<ul style="list-style-type: none"> a. Plug into the outlet. b. Close the door and try again. c. Check instructions.
Arcing or sparking	<ul style="list-style-type: none"> a. Materials to be avoided in microwave oven were used. b. The oven is operated when empty. c. Spilled food remains in the cavity. 	<ul style="list-style-type: none"> a. Use microwave-safe cookware only. b. Do not operate with oven empty. c. Clean cavity with wet towel
Unevenly cooked foods	<ul style="list-style-type: none"> a. Materials to be avoided in microwave oven were used. b. Food is not defrosted completely. c. Cooking time, power level is not suitable. d. Food is not turned or stirred. 	<ul style="list-style-type: none"> a. Use microwave-safe cookware only. b. Completely defrost food. c. Use correct cooking time, power level. d. Turn or stir food.
Overcooked foods	Cooking time, power level is not suitable.	Use correct cooking time, power level.
Undercooked foods	<ul style="list-style-type: none"> a. Materials to be avoided in microwave oven were used. b. Food is not defrosted completely. c. Oven ventilation ports are restricted. d. Cooking time, power level is not suitable. 	<ul style="list-style-type: none"> a. Use microwave-safe cookware only. b. Completely defrost food. c. Check to see that oven ventilation ports are not restricted. d. Use correct cooking time, power level.
Improper Defrosting	<ul style="list-style-type: none"> a. Materials to be avoided in microwave oven were used. b. Cooking time, power level is not suitable. c. Food is not turned or stirred. 	<ul style="list-style-type: none"> a. Use microwave-safe cookware only. b. Use correct cooking time, power level. c. Turn or stir food.

ONE YEAR LIMITED WARRANTY

This warranty applies to products purchased and used in the U.S. and Canada.

This is the only expressed warranty for this product and is in lieu of any other warranty or condition.

This product is warranted to be free from defects in material and workmanship for a period of one (1) year from the date of original purchase. This warranty is valid for the original retail purchaser or gift recipient from the date of initial retail purchase and is not transferable.

Keep your original sales receipt as proof of purchase is required to make a warranty claim.

IMPORTANT: This warranty does not cover damages resulting from use not in conformity with the printed directions, accident, misuse or abuse, alternation, the affixing of any attachments not provided with the product, loss of parts, or subjecting the appliance to any but the specified voltage. (Read directions carefully.) This warranty is void if the product is used for other than single-family household use or subjected to any voltage and waveform other than as specified on the rating label (e.g., 120V ~ 60 Hz).

Englewood Marketing LLC excludes all claims for special, incidental, and consequential damages caused by breach of express or implied warranty. All liability is limited to the amount of the purchase price. Every implied warranty, including any statutory warranty or condition of merchantability or fitness for a particular purpose, is disclaimed except to the extent prohibited by law, in which case such warranty or condition is limited to the duration of this written warranty. This warranty gives you specific legal rights. You may have other legal rights that vary depending on where you live. Some states or provinces do not allow limitations on implied warranties or special, incidental, or consequential damages, so the foregoing limitations may not apply to you.

To make a warranty claim or if service is required, please call our CUSTOMER SERVICE NUMBER.

For faster service, please have the model, type, and series numbers ready for the operator to assist you.

Customer Service Number
Englewood Marketing LLC
In the US 844-918-0509
Email: CustomerService@emllc-USA.com

